

CONTRACT NO. 76D61	
F.A. ROUTE	SECTION
999	82-18-2
FED. AID PROJECT	ILLINOIS
COUNTY	ST. CLAIR
USER NAME = Jjelliff	
PLOT SCALE = #SCALE#	
PLOT DATE = 4/14/2010	
DESIGNED -	HNTB
CHECKED -	CMT
DRAWN -	CMT / HNTB
REVISED -	
REVISED -	
REVISED -	
REVISED -	

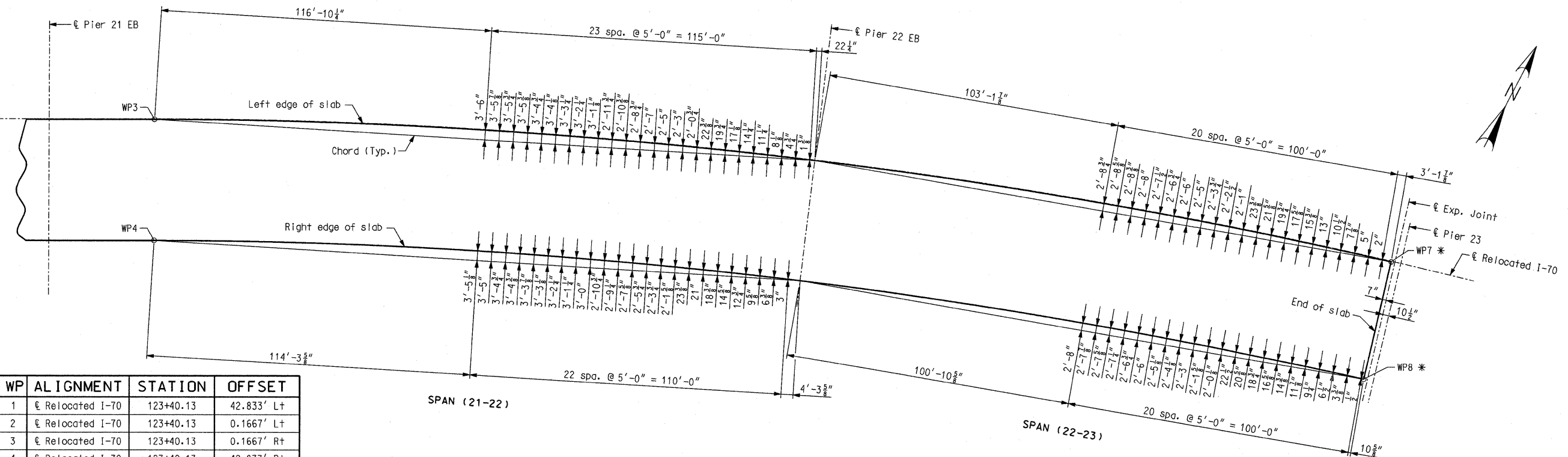
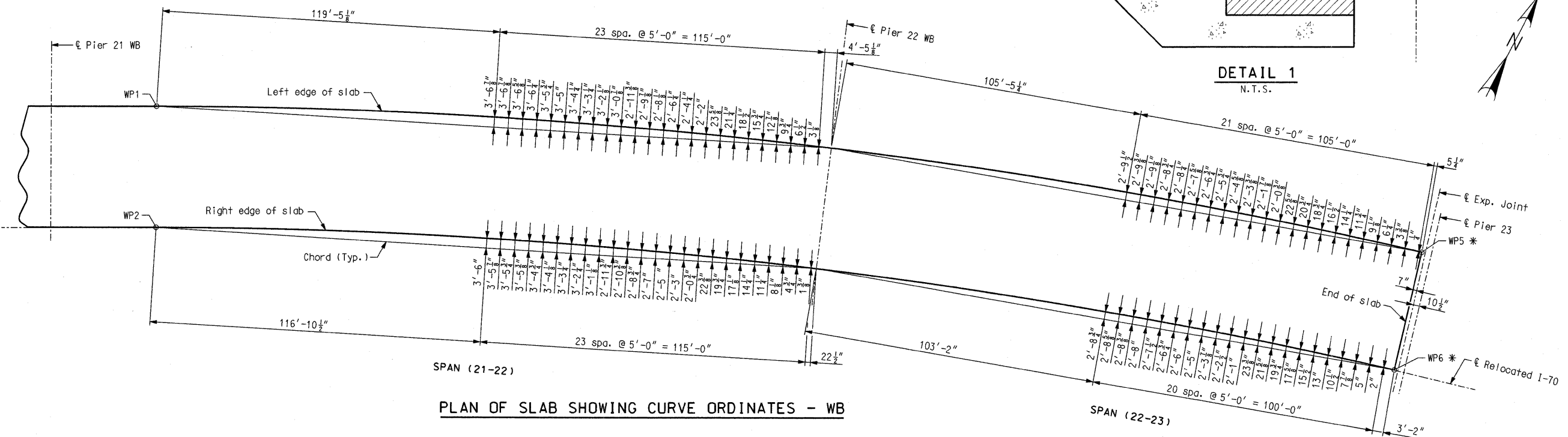
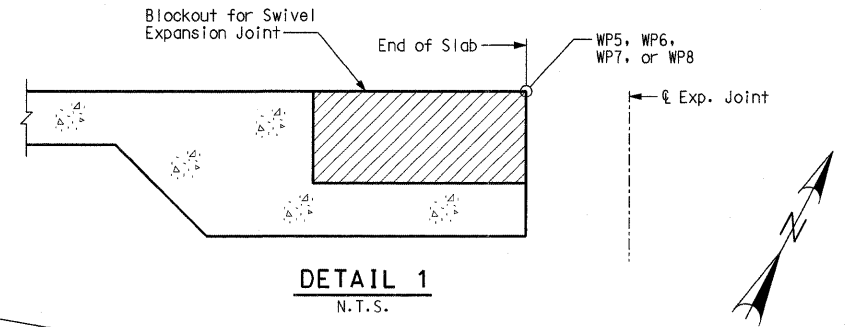
ILLINOIS APPROACH STRUCTURE
FOR NEW I-70 MISSISSIPPI RIVER BRIDGE

STATE OF ILLINOIS
DEPARTMENT OF TRANSPORTATION

MISSOURI HIGHWAYS
AND TRANSPORTATION COMMISSION

HNTB
715 KIRK DRIVE
KANSAS CITY, MO 64105
TELEPHONE (816) 472-1201
CERTIFICATE OF AUTHORITY
NO. 001270

CMT
CRAWFORD, MURPHY & TILLY, INC.
2750 WEST WASHINGTON STREET
SPRINGFIELD, IL 62702
TELEPHONE (217) 787-8050
ENGINEERING CORPORATION - 000631



WP	ALIGNMENT	STATION	OFFSET
1	Exp Relocated I-70	123+40.13	42.833' Lt
2	Exp Relocated I-70	123+40.13	0.1667' Lt
3	Exp Relocated I-70	123+40.13	0.1667' Rt
4	Exp Relocated I-70	123+40.13	42.833' Rt
5	Exp Relocated I-70	127+80.45	42.833' Lt
6	Exp Relocated I-70	127+80.42	0.1667' Lt
7	Exp Relocated I-70	127+80.42	0.1667' Rt
8	Exp Relocated I-70	127+80.39	42.833' Rt

Note:
* Workpoints are located at end of slab. See Detail 1, this sheet.

SLAB OFFSET - UNIT 2

Detailed JUL 2009
Checked JUL 2009

Note: This drawing is not to scale. Follow dimensions.

Sheet No. 89 of 152