

F.A. ROUTE	SECTION
999	82-1B-2
FED. AID PROJECT	ILLINOIS
COUNTY	ST. CLAIR
USER NAME = Jjolliff	
PLOT SCALE = #SCALE#	
PLOT DATE = 4/14/2018	
DESIGNED - HNTB	
CHECKED - CMT	
DRAWN - CMT / HNTB	
REVISED -	
REVISED -	
REVISED -	
REVISED -	

ILLINOIS APPROACH STRUCTURE
FOR NEW I-70 MISSISSIPPI RIVER BRIDGE

STATE OF ILLINOIS
DEPARTMENT OF TRANSPORTATION

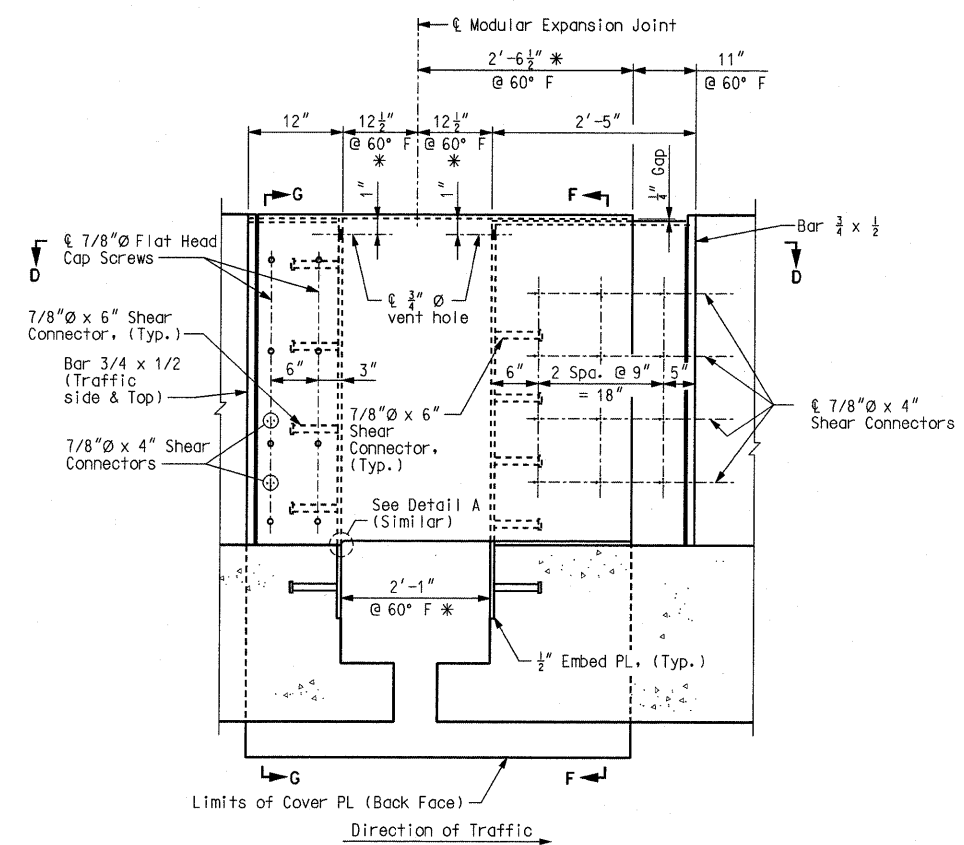
MISSOURI HIGHWAYS
AND TRANSPORTATION COMMISSION

HNTB

715 KIRK DRIVE
KANSAS CITY, MO 64105
TELEPHONE (816) 472-1201
CERTIFICATE OF AUTHORITY
NO. 001270

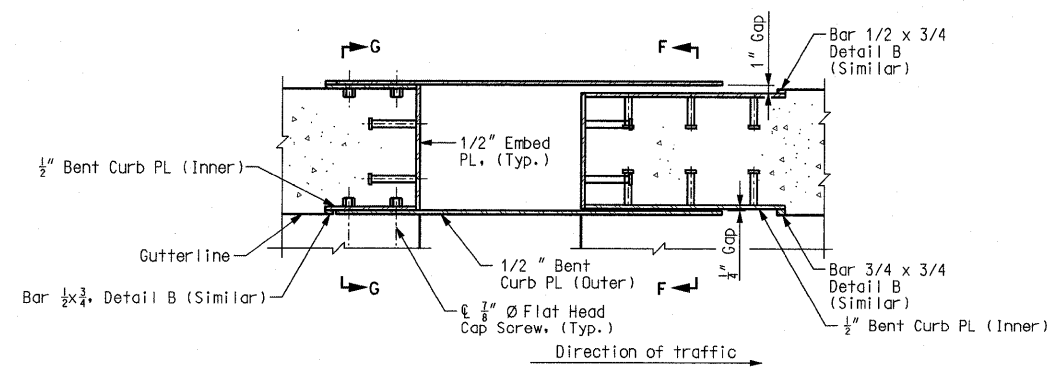
CMT

CRAWFORD, MURPHY & TILLY, INC.
2750 WEST WASHINGTON STREET
SPRINGFIELD, IL 62702
TELEPHONE (217) 787-8050
ENGINEERING CORPORATION - 000631

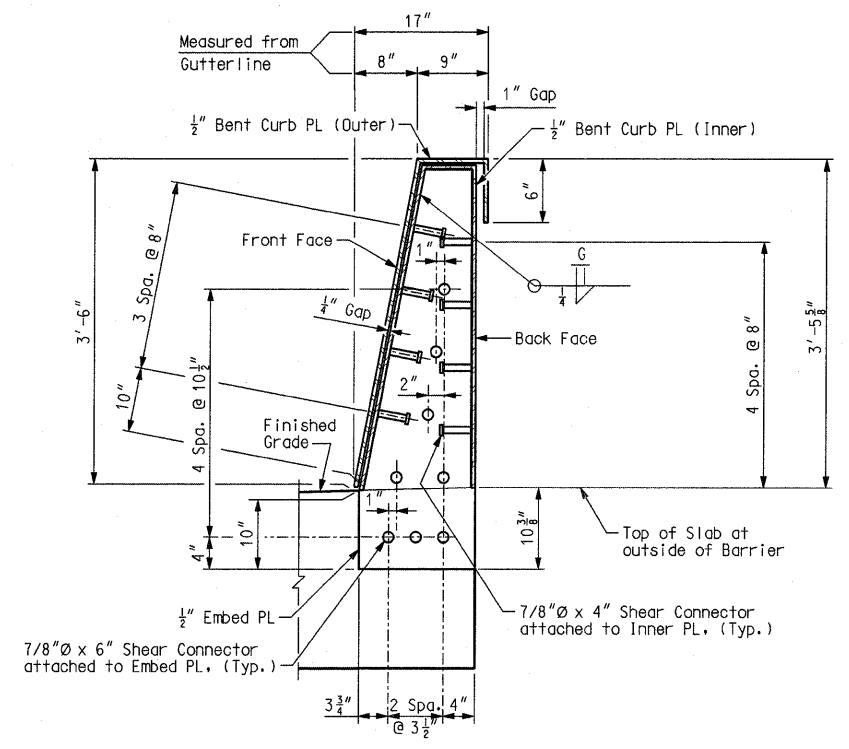


ELEVATION - BARRIER CURB COVER PLATES

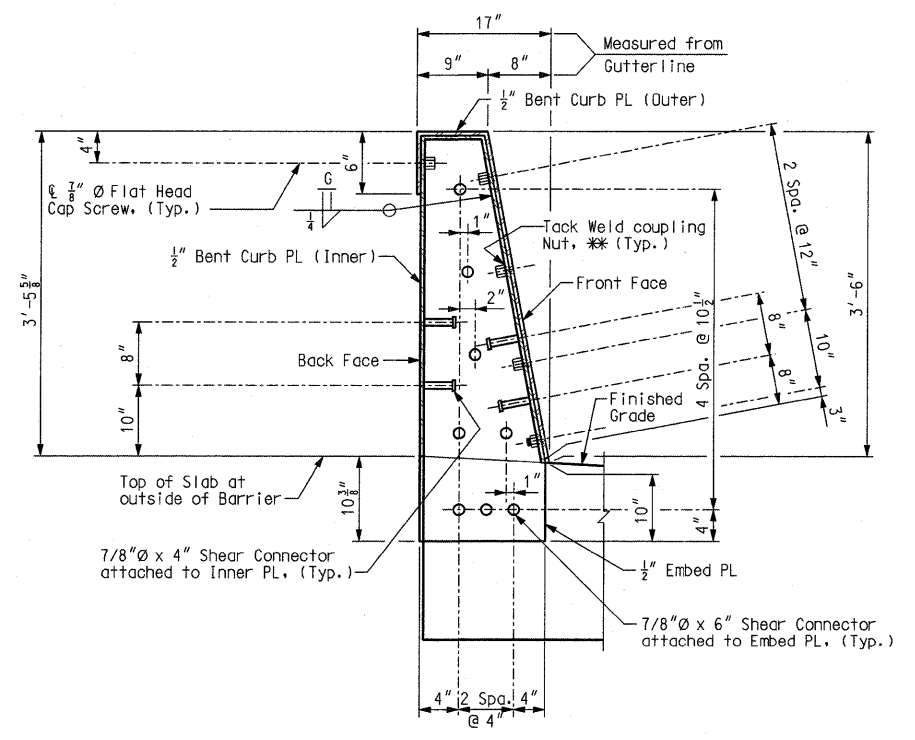
WB - Right Barrier
EB - Left Barrier



SECTION D-D



SECTION F-F



SECTION G-G

Notes:
* Gap dimension @ 60°F is dependent upon modular expansion joint selection. Contractor is responsible for coordinating any revisions required due to deviations from dimensions shown.
Barrier plates shall be ASTM A240 Type 304 stainless steel.
For Details "A" and "B" see Sheet 119.
Payment for furnishing and installing the barrier curb cover plates will be considered completely covered by the contract unit price for Modular Expansion Joint per linear foot.
** Plug end of coupling nut to maintain void for screw placement.
Flat head cap screws shall be in accordance with ASTM A449.

BARRIER CURB COVER PLATE DETAILS - PIER 17 (2 OF 2)