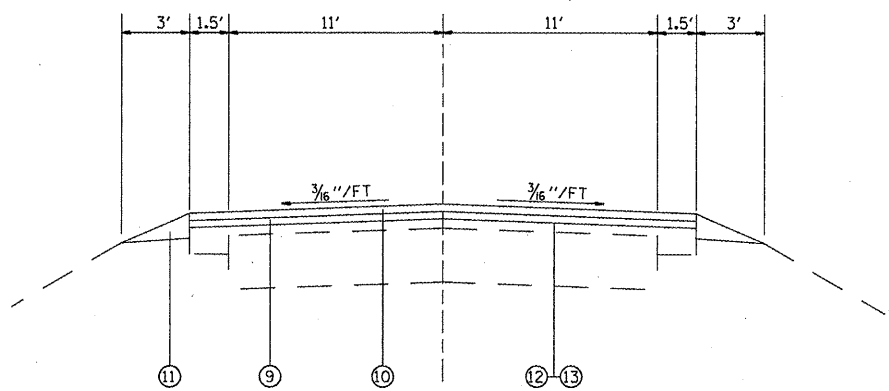


**EXISTING
TANGENT SECTION**

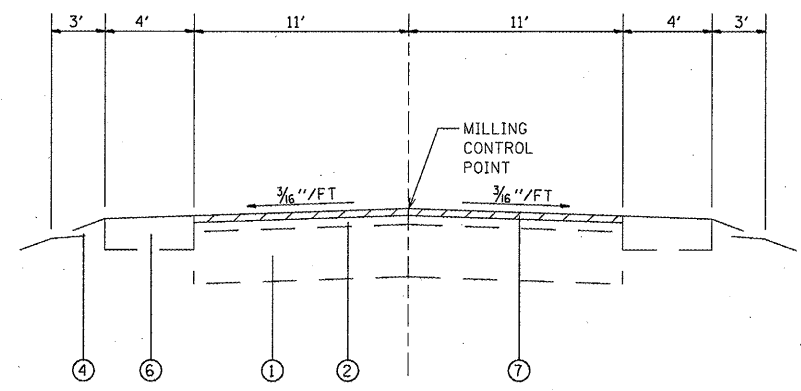
STA. 0+00 TO STA. 2+19
 STA. 4+95L TO STA. 5+49
 STA. 10+65.7 TO STA. 101+79
 STA. 115+66.3 TO STA. 118+26.5
 STA. 121+21.7 TO STA. 126+83.2
 STA. 144+47.4 TO STA. 144+57.1
 STA. 147+77.9 TO STA. 154+43.1
 STA. 157+91.6 TO STA. 162+01.2
 STA. 166+31.8 TO STA. 174+91.2
 STA. 179+39.5 TO STA. 182+06.5
 STA. 186+23.1 TO STA. 186+61
 STA. 188+61 TO STA. 191+48.8



**PROPOSED
TANGENT SECTION**

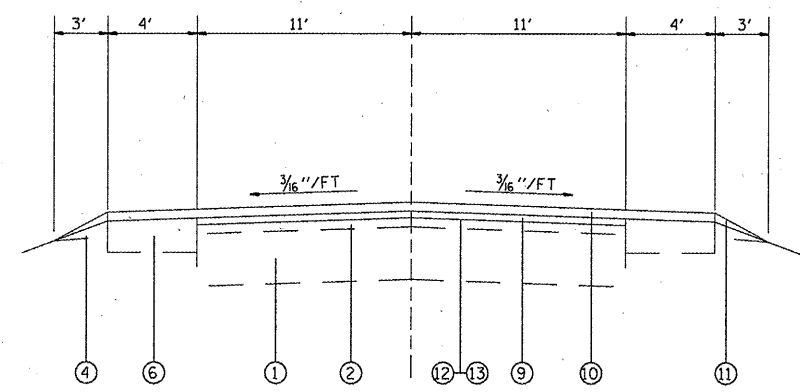
STA. 0+00 TO STA. 2+19
 STA. 4+95L TO STA. 5+49
 STA. 10+65.7 TO STA. 101+79
 STA. 115+66.3 TO STA. 118+26.5
 STA. 121+21.7 TO STA. 126+83.2
 STA. 144+47.4 TO STA. 144+57.1
 STA. 147+77.9 TO STA. 154+43.1
 STA. 157+91.6 TO STA. 162+01.2
 STA. 166+31.8 TO STA. 174+91.2
 STA. 179+39.5 TO STA. 182+06.5
 STA. 186+23.1 TO STA. 186+61
 STA. 188+61 TO STA. 191+48.8

- LEGEND**
- ① EXISTING PCC PAVEMENT
 - ② EXISTING HMA OVERLAY
 - ③ EXISTING HMA SAFETY SHOULDER
 - ④ EXISTING AGGREGATE SHOULDER WEDGE
 - ⑤ EXISTING GUTTER
 - ⑥ EXISTING CONCRETE SHOULDER
 - ⑦ PROPOSED HMA SURFACE REMOVAL, 3/4"
 - ⑧ PROPOSED HMA SURFACE REMOVAL, 1"
 - ⑨ PROPOSED HMA LEVELING BINDER (MACHINE METHOD), 3/4"
 - ⑩ PROPOSED HMA SURFACE CSE., 1 1/2"
 - ⑪ PROPOSED AGGREGATE WEDGE SHOULDER, TYPE B
 - ⑫ PROPOSED BITUMINOUS MATERIAL (PRIME COAT)
 - ⑬ PROPOSED AGGREGATE (PRIME COAT)
 - ⑭ PROPOSED TYPE B GUTTER
 - ⑮ EXISTING CONCRETE BRIDGE DECK
 - ⑯ EXISTING HMA WEARING SURFACE
 - ⑰ PROPOSED HMA SURFACE REMOVAL 1 1/2"
 - ⑱ PROPOSED AGGREGATE BASE CSE, T-B
 - ⑲ PROPOSED FURNISHED EXCAVATION



**EXISTING
TANGENT SECTION**

STA. 2+19 TO STA. 3+40
 STA. 4+31 TO STA. 4+95L
 STA. 4+31 TO STA. 5+49R



**PROPOSED
TANGENT SECTION**

STA. 2+19 TO STA. 3+40
 STA. 4+31 TO STA. 4+95L
 STA. 4+31 TO STA. 5+49R

FILE NAME =	USER NAME = #USER#	DESIGNED - ---	REVISED - ---
#FILE#		DRAWN - ---	REVISED - ---
	PLDT SCALE = #SCALE#	CHECKED - ---	REVISED - ---
	PLDT DATE = #DATE#	DATE - ---	REVISED - ---

**STATE OF ILLINOIS
DEPARTMENT OF TRANSPORTATION**

TYPICAL SECTIONS - LOCATION 1

SCALE: _____ SHEET NO. ___ OF ___ SHEETS STA. _____ TO STA. _____

F.A.S. RTE.	SECTION	COUNTY	TOTAL SHEETS	SHEET NO.
•	(28,29)RS-4, 3ORS-1	MARION	21	7
•	FAS 1791/FAU 8625/SBI 2C			CONTRACT NO. 76D78
FED. ROAD DIST. NO. _____ ILLINOIS FED. AID PROJECT				