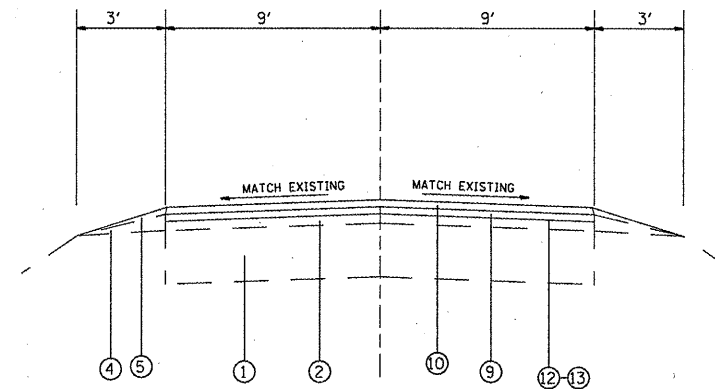
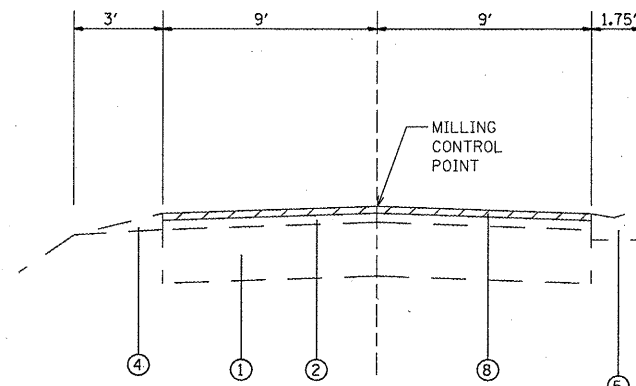


EXISTING
TYPICAL SECTION
STA. 0+00 TO STA. 14+32
STA. 17+21 TO STA. 21+70
STA. 22+73 TO STA. 30+72

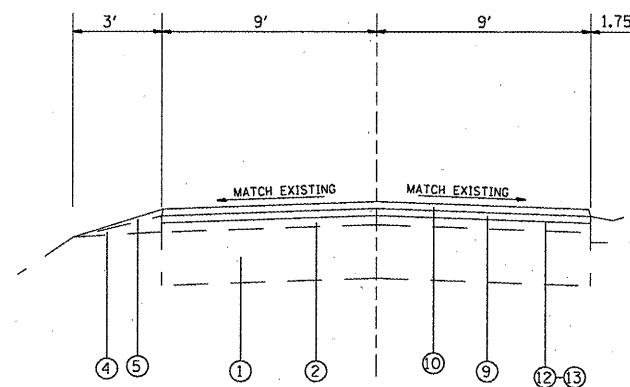


PROPOSED
TYPICAL SECTION
STA. 0+00 TO STA. 14+32
STA. 17+21 TO STA. 21+70
STA. 22+73 TO STA. 30+72

- LEGEND**
- ① EXISTING PCC PAVEMENT
 - ② EXISTING HMA OVERLAY
 - ③ EXISTING HMA SAFETY SHOULDER
 - ④ EXISTING AGGREGATE SHOULDER WEDGE
 - ⑤ EXISTING GUTTER
 - ⑥ EXISTING CONCRETE SHOULDER
 - ⑦ PROPOSED HMA SURFACE REMOVAL, 3/4"
 - ⑧ PROPOSED HMA SURFACE REMOVAL, 1"
 - ⑨ PROPOSED HMA LEVELING BINDER (MACHINE METHOD), 3/4"
 - ⑩ PROPOSED HMA SURFACE CSE., 1 1/2"
 - ⑪ PROPOSED AGGREGATE WEDGE SHOULDER, TYPE B
 - ⑫ PROPOSED BITUMINOUS MATERIAL (PRIME COAT)
 - ⑬ PROPOSED AGGREGATE (PRIME COAT)
 - ⑭ PROPOSED TYPE B GUTTER
 - ⑮ EXISTING CONCRETE BRIDGE DECK
 - ⑯ EXISTING HMA WEARING SURFACE
 - ⑰ PROPOSED HMA SURFACE REMOVAL 1 1/2"
 - ⑱ PROPOSED AGGREGATE BASE CSE, T-B
 - ⑲ PROPOSED FURNISHED EXCAVATION



EXISTING
TYPICAL SECTION
STA. 14+32 TO STA. 17+21



PROPOSED
TYPICAL SECTION
STA. 14+32 TO STA. 17+21

FILE NAME =	USER NAME = *USER*	DESIGNED - ---	REVISED - ---
#FILEL*		DRAWN - ---	REVISED - ---
	PLOT SCALE = *SCALE*	CHECKED - ---	REVISED - ---
	PLOT DATE = *DATE*	DATE - ---	REVISED - ---

STATE OF ILLINOIS
DEPARTMENT OF TRANSPORTATION

TYPICAL SECTIONS - LOCATION 2

F.A.S. RTE.	SECTION	COUNTY	TOTAL SHEETS	SHEET NO.
*	(28,29)RS-4, 3ORS-1	MARION	21	11
* FAS 1791/FAD 8625/SBI 2C		CONTRACT NO. 76D78		
SCALE: _____		SHEET NO. ___ OF ___ SHEETS		STA. _____ TO STA. _____
FED. ROAD DIST. NO. _____		ILLINOIS FED. AID PROJECT		