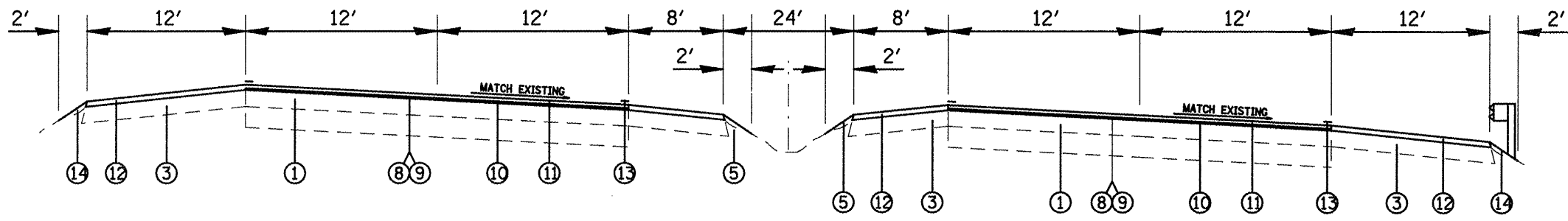


TYPICAL TANGENT SECTION
 NORTH ACCESS ROAD
 STA. 470+12.48 TO 540+50



TYPICAL SUPERELEVATED SECTION
 NORTH ACCESS ROAD
 STA. 470+12.48 TO 540+50

- | | |
|---|--|
| ① EXISTING CONCRETE PAVEMENT | ⑨ PROPOSED AGGREGATE MATERIAL (PRIME COAT) |
| ② EXISTING HMA OVERLAY | ⑩ PROPOSED LEVELING BINDER (MM), N90 - (LOC. #1 - 1" & LOC. #2 - 3/4") |
| ③ EXISTING HMA SHOULDER | ⑪ PROPOSED HMA SURFACE COURSE, MIX D, N90 - 1 1/2" |
| ④ EXISTING CONCRETE CURB AND GUTTER | ⑫ PROPOSED HMA SHOULDERS - 2 1/2" |
| ⑤ EXISTING AGGREGATE SHOULDER | ⑬ PROPOSED THERMOPLASTIC PAVEMENT MARKING |
| ⑥ EXISTING WIDENING | ⑭ PROPOSED AGGREGATE SHOULDER |
| ⑦ PROPOSED HMA SURFACE REMOVAL - 2" | ⑮ EXISTING CONCRETE MEDIAN |
| ⑧ PROPOSED BITUMINOUS MATERIAL (PRIME COAT) | ⑯ PROPOSED CLASS C CONCRETE PATCH, TYPE IV, 10 INCH |

NOT TO SCALE