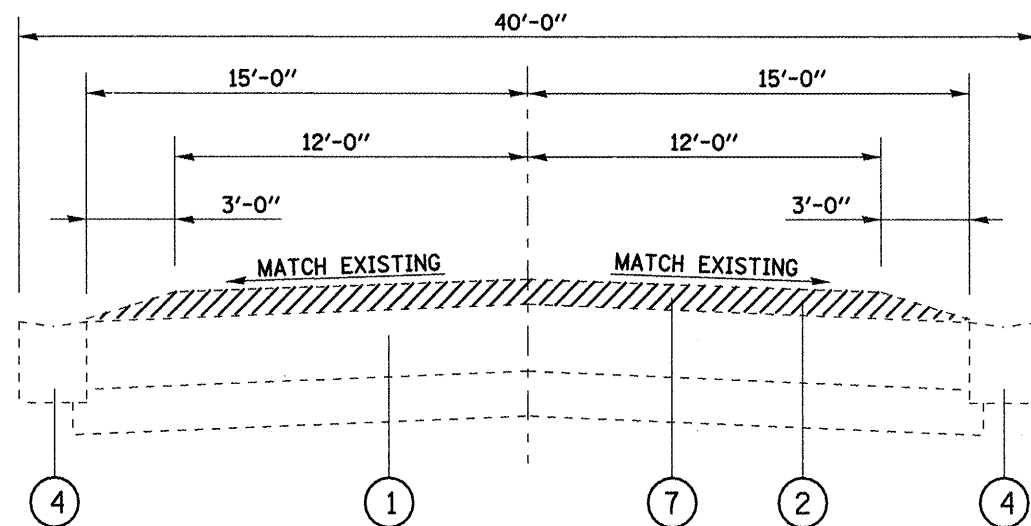
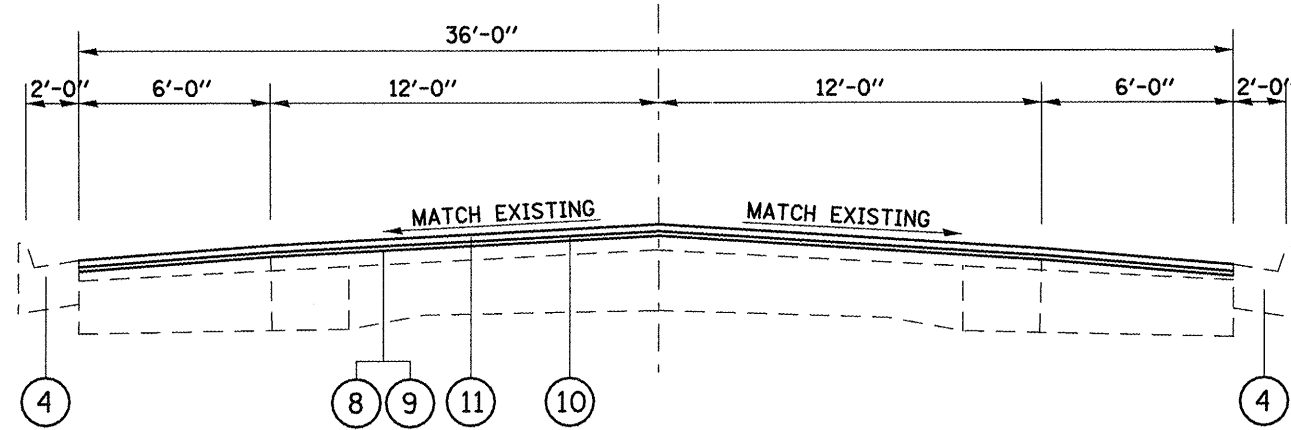


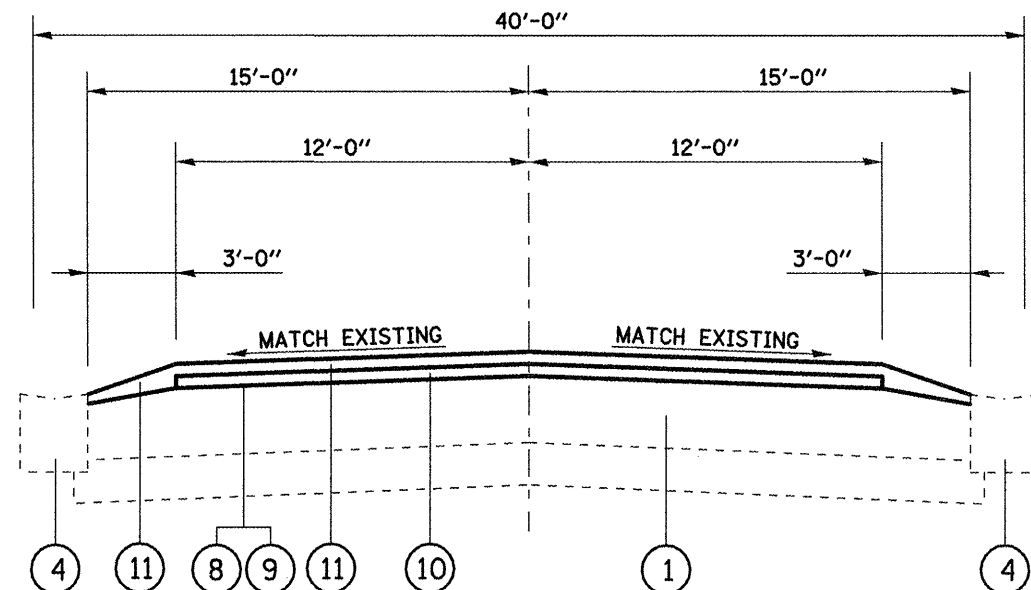
LOCATION 2  
EXISTING TYPICAL SECTION  
STA 2+64 TO STA 9+75



LOCATION 2  
EXISTING TYPICAL SECTION  
STA 10+25 TO STA 11+80



LOCATION 2  
PROPOSED TYPICAL SECTION  
STA 2+64 TO STA 9+75



LOCATION 2  
PROPOSED TYPICAL SECTION  
STA 10+25 TO STA 11+80

- |   |  |
|---|--|
| ① EXISTING CONCRETE PAVEMENT                | ⑨ PROPOSED AGGREGATE MATERIAL (PRIME COAT)                             |
| ② EXISTING HMA OVERLAY                      | ⑩ PROPOSED LEVELING BINDER (MM), N90 - (LOC. #1 - 1" & LOC. #2 - 3/4") |
| ③ EXISTING HMA SHOULDER                     | ⑪ PROPOSED HMA SURFACE COURSE, MIX D, N90 - 1 1/2"                     |
| ④ EXISTING CONCRETE CURB AND GUTTER         | ⑫ PROPOSED HMA SHOULDERS - 2 1/2"                                      |
| ⑤ EXISTING AGGREGATE SHOULDER               | ⑬ PROPOSED THERMOPLASTIC PAVEMENT MARKING                              |
| ⑥ EXISTING WIDENING                         | ⑭ PROPOSED AGGREGATE SHOULDER  |
| ⑦ PROPOSED HMA SURFACE REMOVAL - 2"         | ⑮ EXISTING CONCRETE MEDIAN   |
| ⑧ PROPOSED BITUMINOUS MATERIAL (PRIME COAT) | ⑯ PROPOSED CLASS C CONCRETE PATCH, TYPE IV, 10 INCH                    |

NOT TO SCALE

FILE NAME =  
c:\pwork\PWIDOT\WATERSLE\0175033\d8

USER NAME = waterle  
6d83-shr-plan.dgn  
PLOT SCALE = 1/8" = 100.0000' / IN.  
PLOT DATE = 3/12/2010

DESIGNED -	REVISD -
DRAWN -	REVISD -
CHECKED -	REVISD -
DATE -	REVISD -

STATE OF ILLINOIS  
DEPARTMENT OF TRANSPORTATION

TYPICAL SECTIONS (LOCATION #2 - HAWTHORNE /MADISON AVE.)  
SCALE: \_\_\_\_\_ SHEET NO. 2 OF 13 SHEETS STA. \_\_\_\_\_ TO STA. \_\_\_\_\_

F.A. RTE. VAR.	SECTION DIST. 8 RESURF. 2010-5	COUNTY MADISON	TOTAL SHEETS 57	SHEET NO. 8
CONTRACT NO. 76D83				
FED. ROAD DIST. NO. 8 ILLINOIS FED. AID PROJECT				