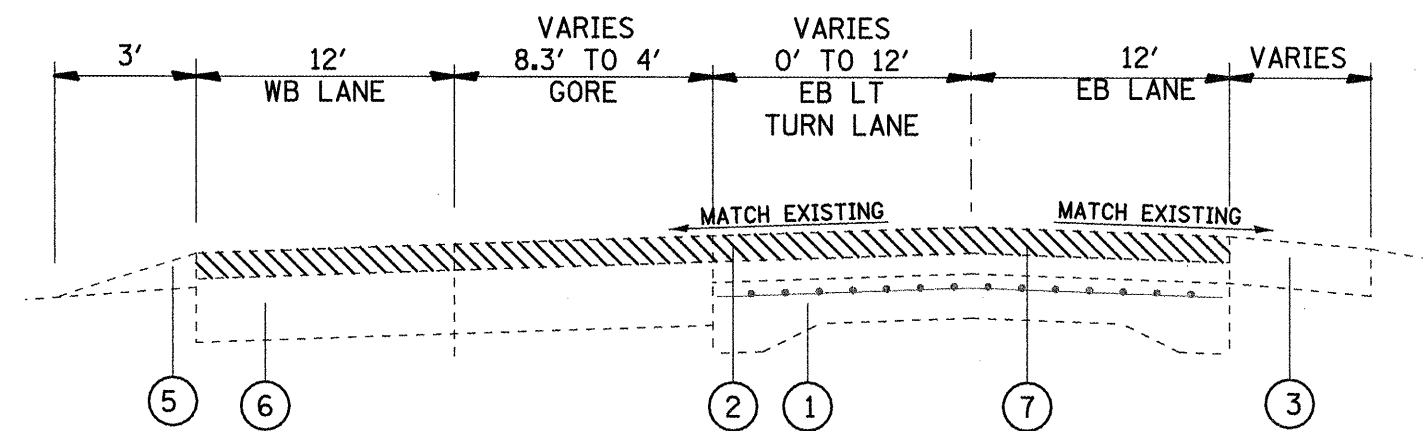
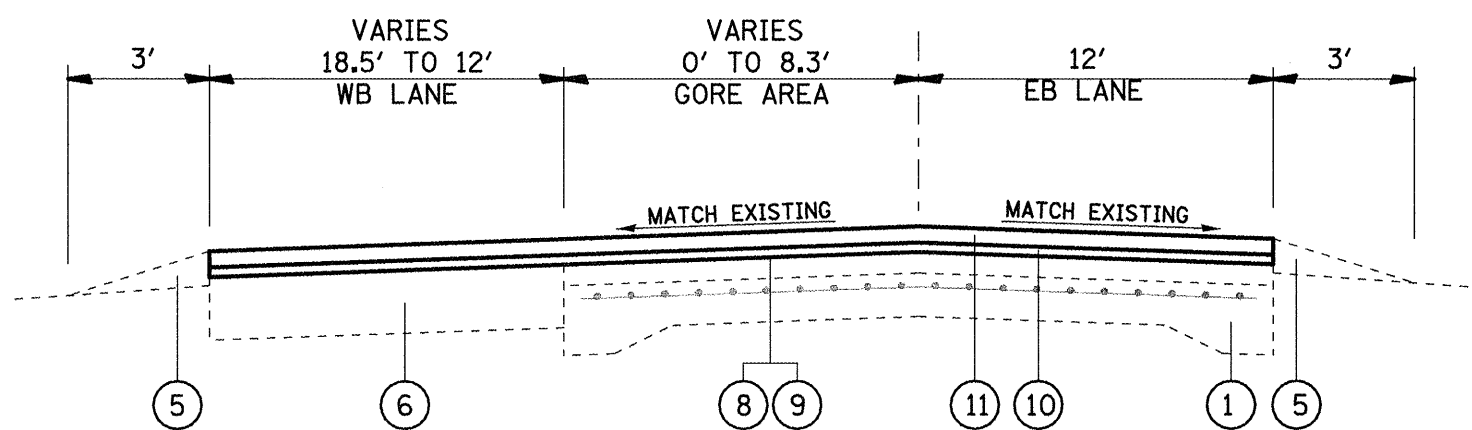


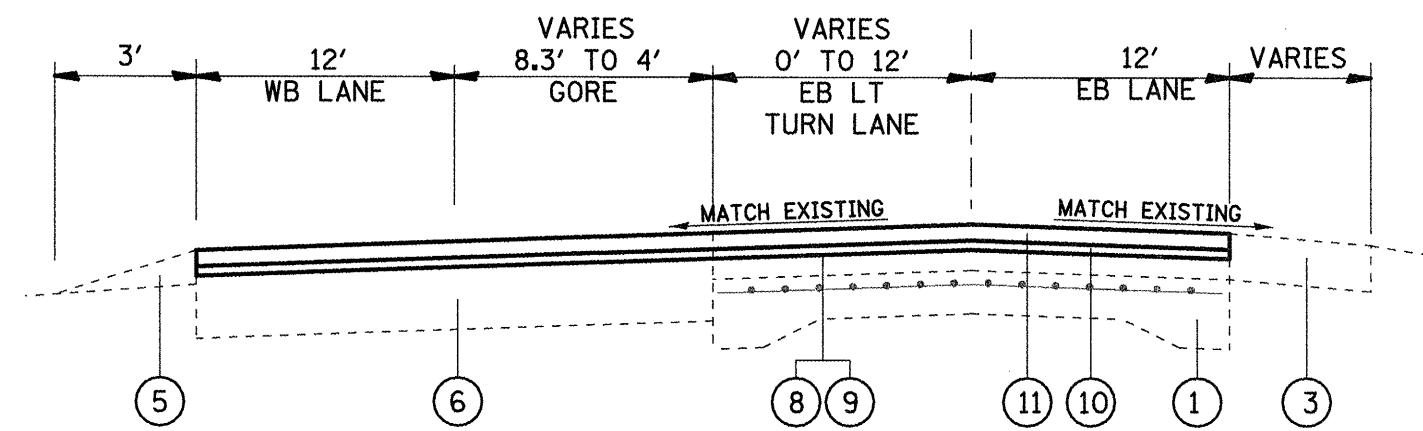
LOCATION 2  
EXISTING TYPICAL SECTION  
STA 139+58 TO STA 141+05



LOCATION 2  
EXISTING TYPICAL SECTION  
STA 141+05 TO STA 142+61



LOCATION 2  
PROPOSED TYPICAL SECTION  
STA 139+58 TO STA 141+05



LOCATION 2  
PROPOSED TYPICAL SECTION  
STA 141+05 TO STA 142+61

- |   |   |   |  |
|---|---|---|--|
| ① | EXISTING CONCRETE PAVEMENT                | ⑨ | PROPOSED AGGREGATE MATERIAL (PRIME COAT)                             |
| ② | EXISTING HMA OVERLAY                      | ⑩ | PROPOSED LEVELING BINDER (MM), N90 - (LOC. *1 - 1" & LOC. *2 - 3/4") |
| ③ | EXISTING HMA SHOULDER                     | ⑪ | PROPOSED HMA SURFACE COURSE, MIX D, N90 - 1 1/2"                     |
| ④ | EXISTING CONCRETE CURB AND GUTTER         | ⑫ | PROPOSED HMA SHOULDERS - 2 1/2"                                      |
| ⑤ | EXISTING AGGREGATE SHOULDER               | ⑬ | PROPOSED THERMOPLASTIC PAVEMENT MARKING                              |
| ⑥ | EXISTING WIDENING                         | ⑭ | PROPOSED AGGREGATE SHOULDER  |
| ⑦ | PROPOSED HMA SURFACE REMOVAL - 2"         | ⑮ | EXISTING CONCRETE MEDIAN   |
| ⑧ | PROPOSED BITUMINOUS MATERIAL (PRIME COAT) | ⑯ | PROPOSED CLASS C CONCRETE PATCH, TYPE IV, 10 INCH                    |

NOT TO SCALE

FILE NAME =  
cr:\pwork\pwidot\WATERSLE\d0175033\d8

USER NAME = watersle  
6d83-sht-plan.dgn  
PLOT SCALE = 100.0000' / IN.  
PLOT DATE = 3/12/2010

DESIGNED -	REVISD -
DRAWN -	REVISD -
CHECKED -	REVISD -
DATE -	REVISD -

STATE OF ILLINOIS  
DEPARTMENT OF TRANSPORTATION

TYPICAL SECTIONS (LOCATION #2 - HAWTHORNE / MADISON AVE.)  
SCALE: SHEET NO. 7 OF 13 SHEETS STA. TO STA.

F.A. RTE. VAR.	SECTION	COUNTY	TOTAL SHEETS	SHEET NO.
DIST. 8 RESURF. 2010-5	MADISON	57	13	
CONTRACT NO. 76083				
FED. ROAD DIST. NO. 8 ILLINOIS FED. AID PROJECT				