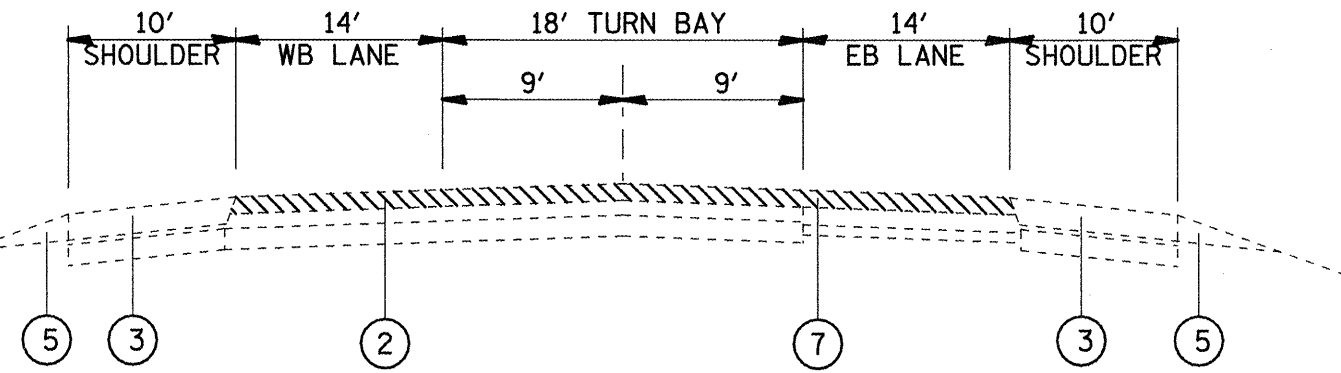
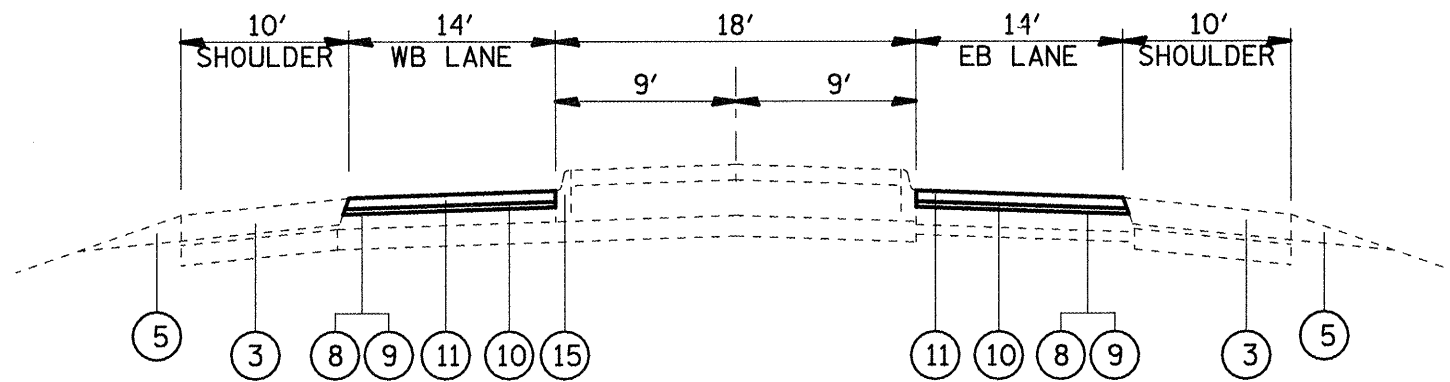


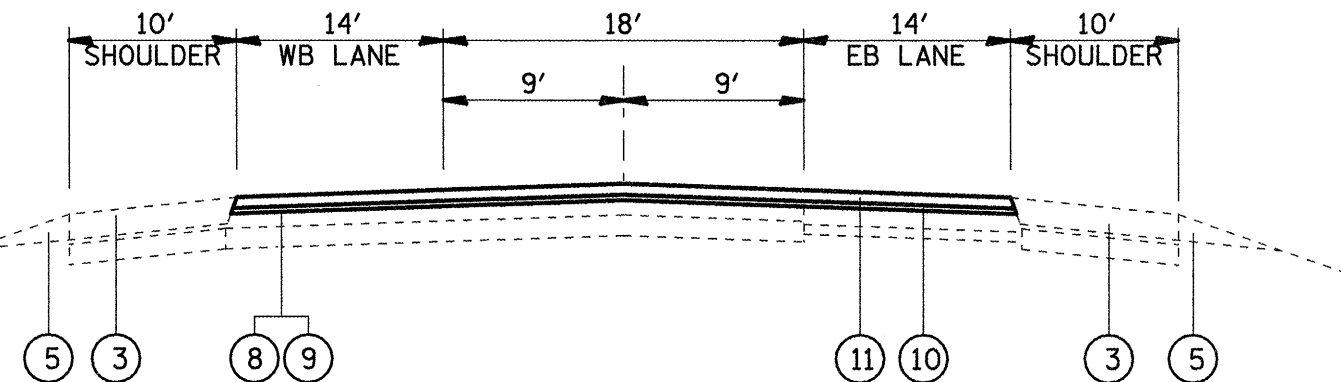
LOCATION 2
EXISTING TYPICAL SECTION
STA 148+68 TO STA 150+52
STA 155+49 TO STA 163+66
STA 176+22 TO STA 177+47



LOCATION 2
EXISTING TYPICAL SECTION
STA 150+52 TO STA 151+01
STA 163+66 TO STA 164+08
STA 170+38 TO STA 171+57



LOCATION 2
PROPOSED TYPICAL SECTION
STA 148+68 TO STA 150+52
STA 155+49 TO STA 163+66
STA 176+22 TO STA 177+47



LOCATION 2
PROPOSED TYPICAL SECTION
STA 150+52 TO STA 151+01
STA 163+66 TO STA 164+08
STA 170+38 TO STA 171+57

- | | |
|---|--|
| ① EXISTING CONCRETE PAVEMENT | ⑨ PROPOSED AGGREGATE MATERIAL (PRIME COAT) |
| ② EXISTING HMA OVERLAY | ⑩ PROPOSED LEVELING BINDER (MM), N90 - (LOC. #1 - 1" & LOC. #2 - 3/4") |
| ③ EXISTING HMA SHOULDER | ⑪ PROPOSED HMA SURFACE COURSE, MIX D, N90 - 1/2" |
| ④ EXISTING CONCRETE CURB AND GUTTER | ⑫ PROPOSED HMA SHOULDERS - 2 1/2" |
| ⑤ EXISTING AGGREGATE SHOULDER | ⑬ PROPOSED THERMOPLASTIC PAVEMENT MARKING |
| ⑥ EXISTING WIDENING | ⑭ PROPOSED AGGREGATE SHOULDER |
| ⑦ PROPOSED HMA SURFACE REMOVAL - 2" | ⑮ EXISTING CONCRETE MEDIAN |
| ⑧ PROPOSED BITUMINOUS MATERIAL (PRIME COAT) | ⑯ PROPOSED CLASS C CONCRETE PATCH, TYPE IV, 10 INCH |

NOT TO SCALE

FILE NAME =
c:\pwork\pwidot\watersle\d0175833\d8

USER NAME = watersle
6d83-ah-t-plan.dgn
PLOT SCALE = 100,0000 ' / IN.
PLOT DATE = 3/12/2018

DESIGNED -
DRAWN -
CHECKED -
DATE -

REVISED -
REVISED -
REVISED -
REVISED -

STATE OF ILLINOIS
DEPARTMENT OF TRANSPORTATION

TYPICAL SECTIONS (LOCATION #2 - HAWTHORNE /MADISON AVE.)

SCALE: SHEET NO. 10 OF 13 SHEETS STA. TO STA.

F.A. RTE.	SECTION	COUNTY	TOTAL SHEETS	SHEET NO.
VAR.	DIST. 8 RESURF. 2010-5	MADISON	57	16
FED. ROAD DIST. NO. 8 ILLINOIS FED. AID PROJECT			CONTRACT NO. 76D83	