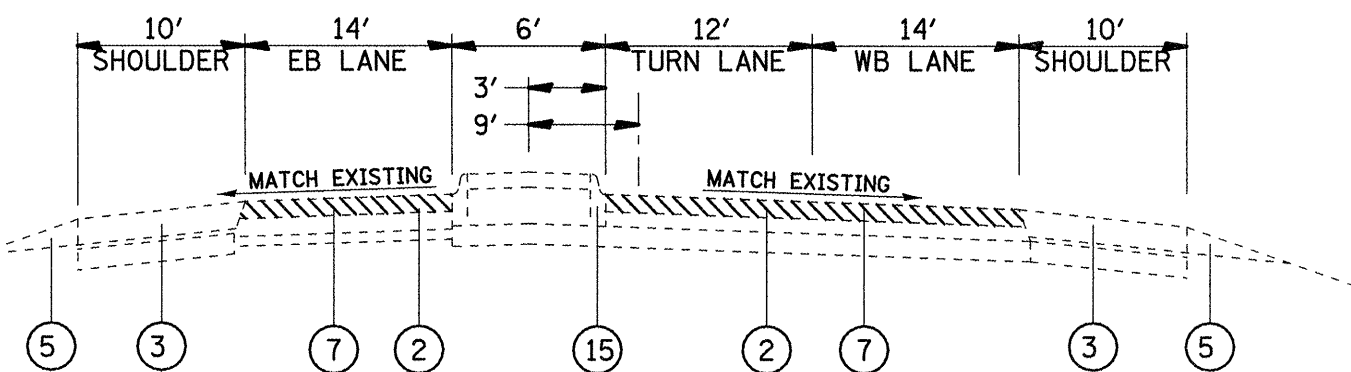
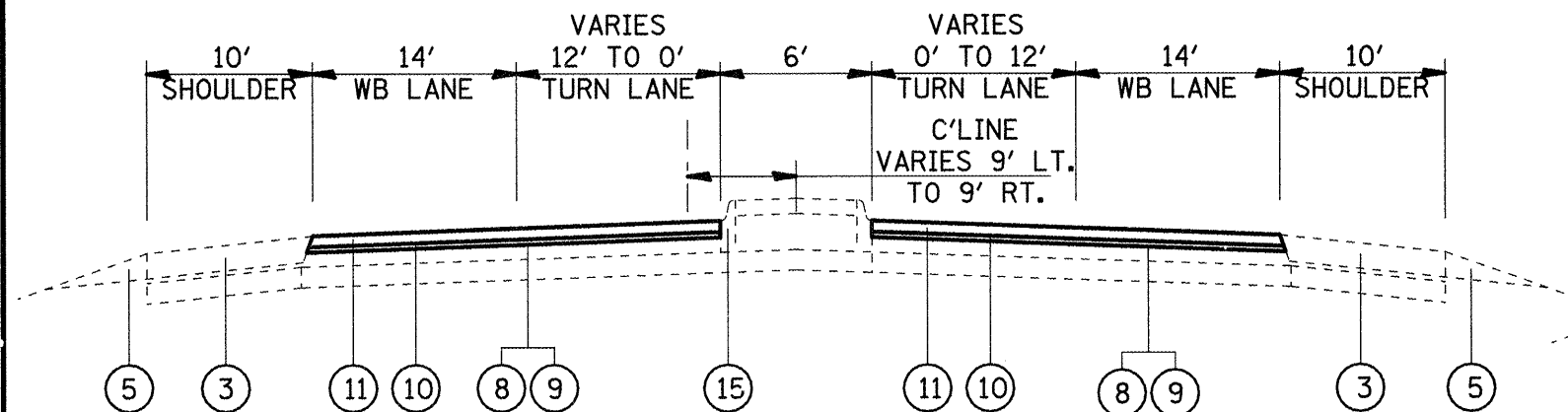


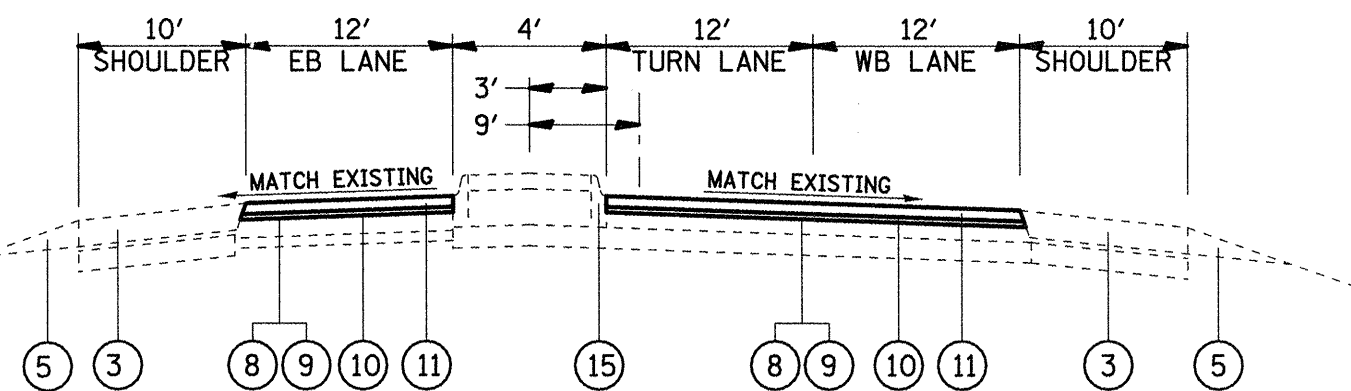
LOCATION 2
EXISTING TYPICAL SECTION
STA 166+15 TO STA 168+34



LOCATION 2
EXISTING TYPICAL SECTION
STA 168+34 TO STA 170+38



LOCATION 2
PROPOSED TYPICAL SECTION
STA 166+15 TO STA 168+34



LOCATION 2
PROPOSED TYPICAL SECTION
STA 168+34 TO STA 170+38

- | | | | |
|---|---|---|--|
| ① | EXISTING CONCRETE PAVEMENT | ⑨ | PROPOSED AGGREGATE MATERIAL (PRIME COAT) |
| ② | EXISTING HMA OVERLAY | ⑩ | PROPOSED LEVELING BINDER (MM), N90 - (LOC. #1 - 1" & LOC. #2 - 3/4") |
| ③ | EXISTING HMA SHOULDER | ⑪ | PROPOSED HMA SURFACE COURSE, MIX D, N90 - 1 1/2" |
| ④ | EXISTING CONCRETE CURB AND GUTTER | ⑫ | PROPOSED HMA SHOULDERS - 2 1/2" |
| ⑤ | EXISTING AGGREGATE SHOULDER | ⑬ | PROPOSED THERMOPLASTIC PAVEMENT MARKING |
| ⑥ | EXISTING WIDENING | ⑭ | PROPOSED AGGREGATE SHOULDER |
| ⑦ | PROPOSED HMA SURFACE REMOVAL - 2" | ⑮ | EXISTING CONCRETE MEDIAN |
| ⑧ | PROPOSED BITUMINOUS MATERIAL (PRIME COAT) | ⑯ | PROPOSED CLASS C CONCRETE PATCH, TYPE IV, 10 INCH |

NOT TO SCALE

FILE NAME =	USER NAME = watersle	DESIGNED -	REVISED -
c:\pwork\PMWIDOT\WATERSLE\d0175033\d8	6d83-sht-plen.dgn	DRAWN -	REVISED -
	PLOT SCALE = 100.0000' / IN.	CHECKED -	REVISED -
	PLOT DATE = 3/12/2010	DATE -	REVISED -

**STATE OF ILLINOIS
DEPARTMENT OF TRANSPORTATION**

TYPICAL SECTIONS (LOCATION #2 - HAWTHORNE / MADISON AVE.)	
SCALE:	SHEET NO. 12 OF 13 SHEETS
STA. _____	TO STA. _____

F.A. RTE.	SECTION	COUNTY	TOTAL SHEETS	SHEET NO.
VAR.	DIST. 8 RESURF. 2010-5	MADISON	57	18
CONTRACT NO. 76083				
FED. ROAD DIST. NO. 8 ILLINOIS FED. AID PROJECT				