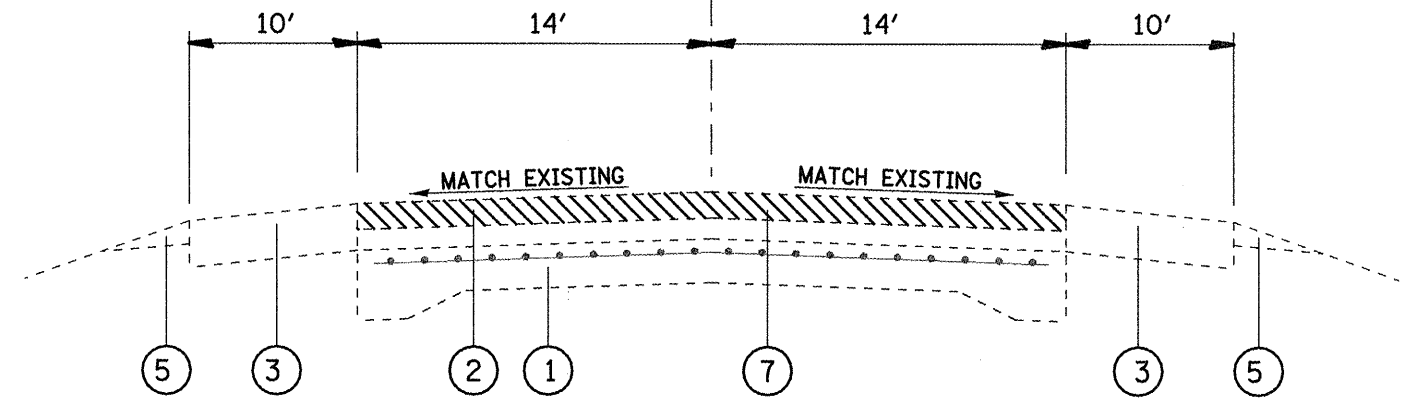
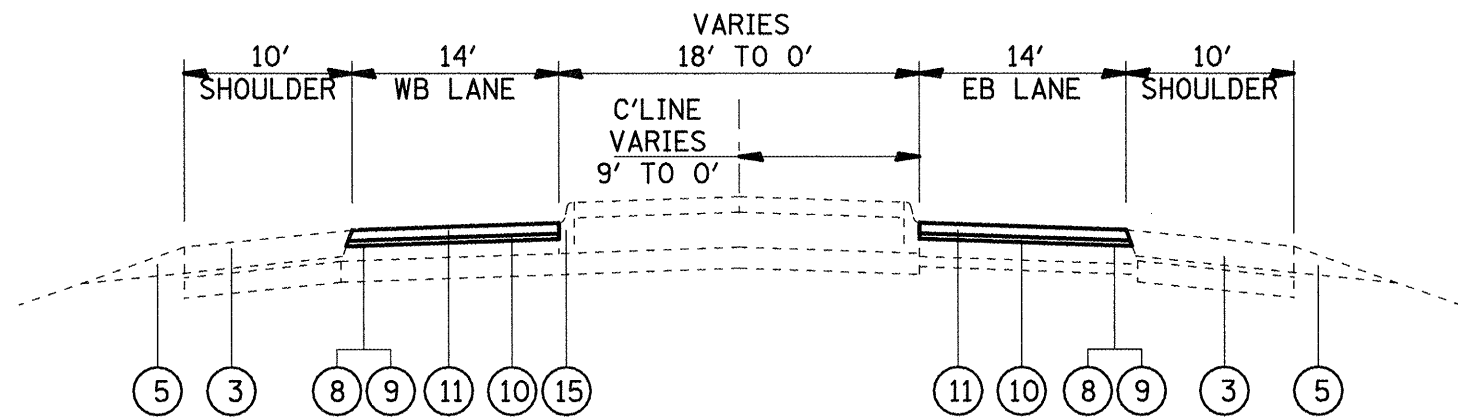


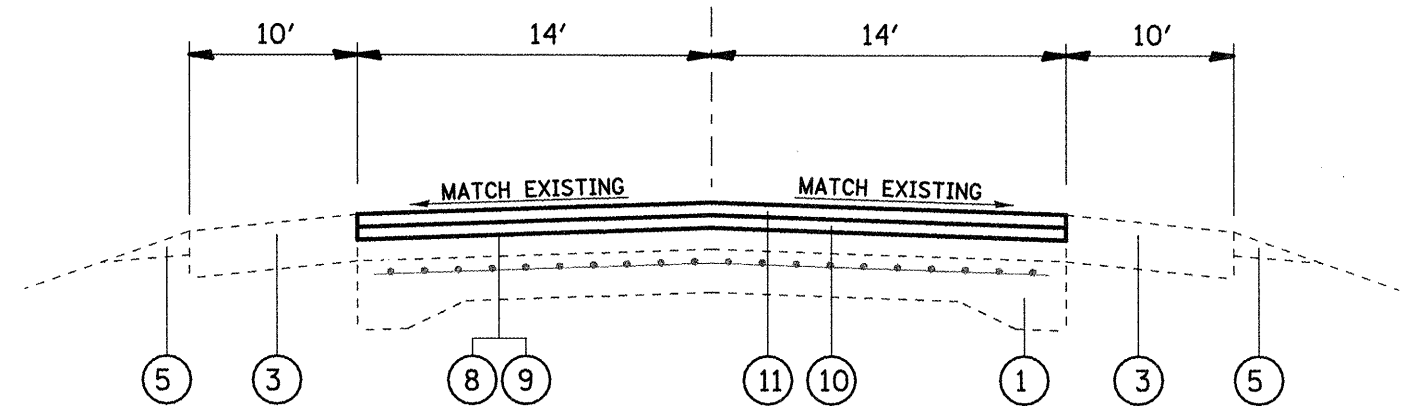
LOCATION 2
EXISTING TYPICAL SECTION
STA 177+47 TO STA 181+44



LOCATION 2
EXISTING TYPICAL SECTION
STA 181+44 TO STA 184+27



LOCATION 2
PROPOSED TYPICAL SECTION
STA 177+47 TO STA 181+44



LOCATION 2
PROPOSED TYPICAL SECTION
STA 181+44 TO STA 184+27

- | | |
|---------------------------------------------|------------------------------------------------------------------------|
| ① EXISTING CONCRETE PAVEMENT | ⑨ PROPOSED AGGREGATE MATERIAL (PRIME COAT) |
| ② EXISTING HMA OVERLAY | ⑩ PROPOSED LEVELING BINDER (MM), N90 - (LOC. #1 - 1" & LOC. #2 - 3/4") |
| ③ EXISTING HMA SHOULDER | ⑪ PROPOSED HMA SURFACE COURSE, MIX D, N90 - 1 1/2" |
| ④ EXISTING CONCRETE CURB AND GUTTER | ⑫ PROPOSED HMA SHOULDERS - 2 1/2" |
| ⑤ EXISTING AGGREGATE SHOULDER | ⑬ PROPOSED THERMOPLASTIC PAVEMENT MARKING |
| ⑥ EXISTING WIDENING | ⑭ PROPOSED AGGREGATE SHOULDER |
| ⑦ PROPOSED HMA SURFACE REMOVAL - 2" | ⑮ EXISTING CONCRETE MEDIAN |
| ⑧ PROPOSED BITUMINOUS MATERIAL (PRIME COAT) | ⑯ PROPOSED CLASS C CONCRETE PATCH, TYPE IV, 10 INCH |

NOT TO SCALE

FILE NAME =
c:\pwork\pwwid\WATERGLE\d8175033\d8

USER NAME = waterale
6d83-sht-plan.dgn
PLOT SCALE = 100.0000' / IN.
PLOT DATE = 3/12/2010

DESIGNED -
DRAWN -
CHECKED -
DATE -

REVISED -
REVISED -
REVISED -
REVISED -

STATE OF ILLINOIS
DEPARTMENT OF TRANSPORTATION

TYPICAL SECTIONS (LOCATION #2 - HAWTHORNE /MADISON AVE.)

SCALE: SHEET NO. 13 OF 13 SHEETS STA. TO STA.

F.A. RTE.	SECTION	COUNTY	TOTAL SHEETS	SHEET NO.
VAR.	DIST. 8 RESURF. 2010-5	MADISON	57	19
CONTRACT NO. 76063				
FED. ROAD DIST. NO. 8 ILLINOIS FED. AID PROJECT				