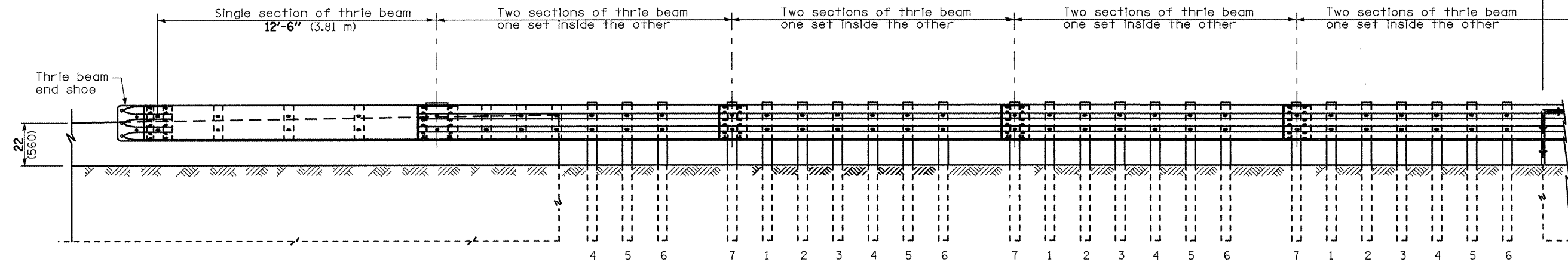
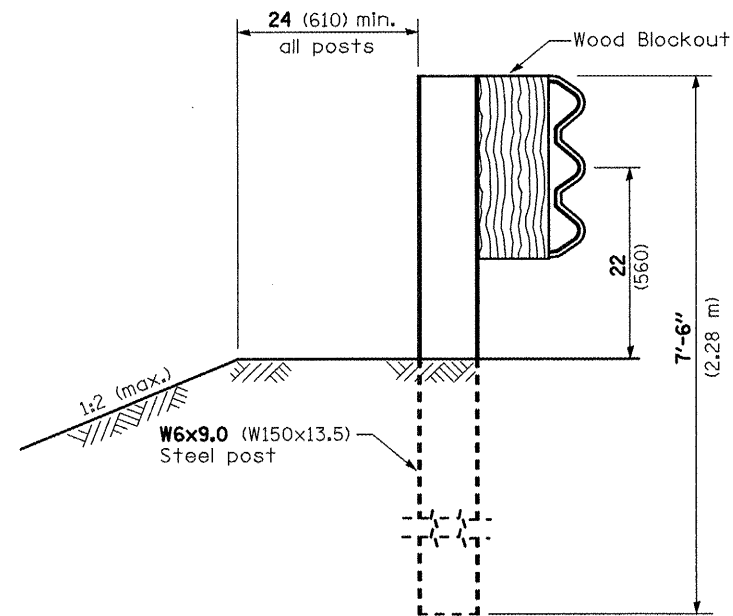


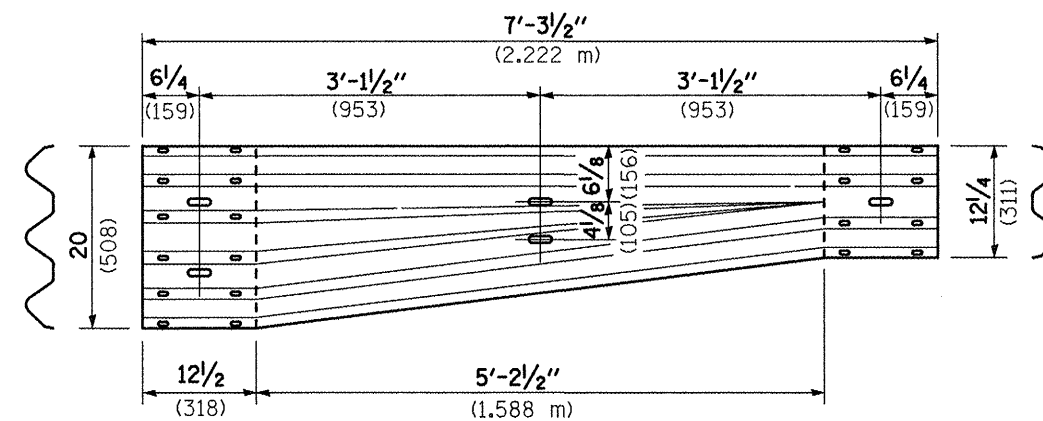
PLAN



ELEVATION EAST SIDE OF SIUE



SECTION A-A



TRANSITION SECTION
(10 gauge (3.4) rail element)

NOT TO SCALE

FILE NAME =
c:\pwork\PIWIDOT\WATERSLE\d0175033\d8

USER NAME = wotersle
6d83-sht-plan.dgn
PLOT SCALE = 100.0000' / IN.
PLOT DATE = 3/12/2018

DESIGNED -
DRAWN -
CHECKED -
DATE -

REVISED -
REVISED -
REVISED -
REVISED -

STATE OF ILLINOIS
DEPARTMENT OF TRANSPORTATION

GUARDRAIL DETAILS (LOCATION #1 - TBT TY 6B (SPECIAL))

SCALE: SHEET NO. 1 OF 8 SHEETS STA. TO STA.

F.A. RTE.	SECTION	COUNTY	TOTAL SHEETS	SHEET NO.
VAR.	DIST. 8 RESURF. 2010-5	MADISON	57	45
CONTRACT NO. 76083				
FED. ROAD DIST. NO. 8 ILLINOIS FED. AID PROJECT				