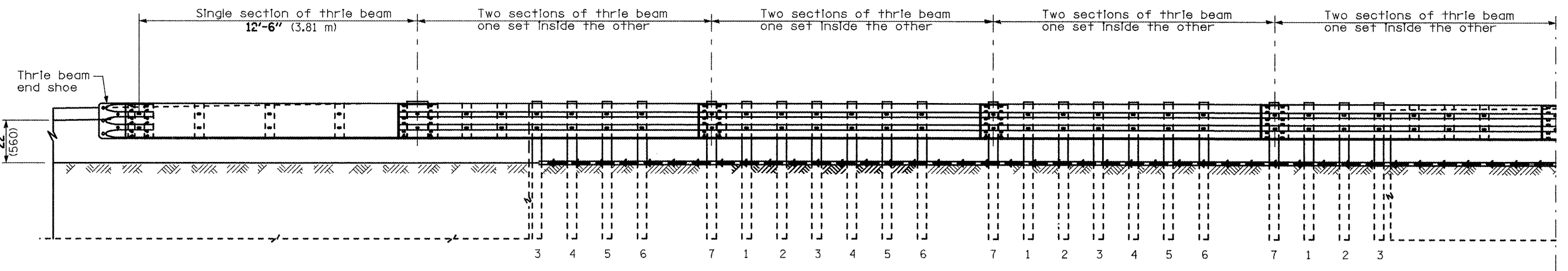
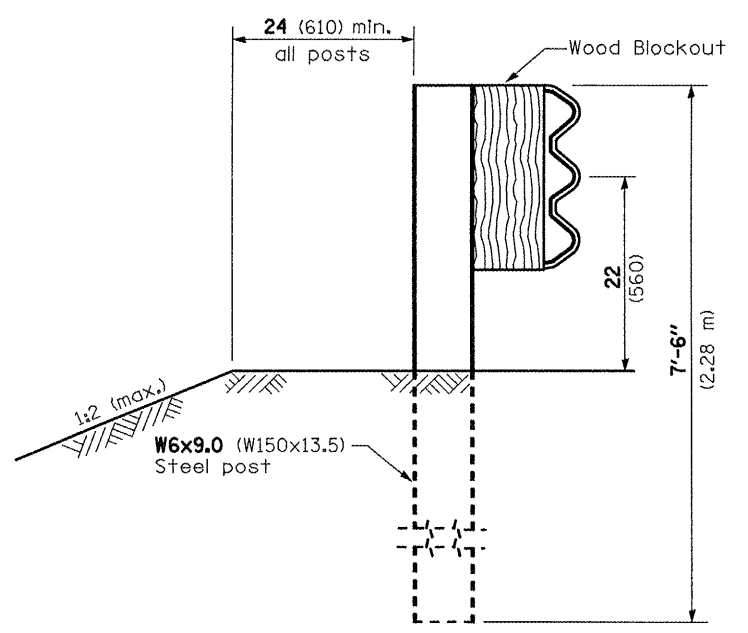


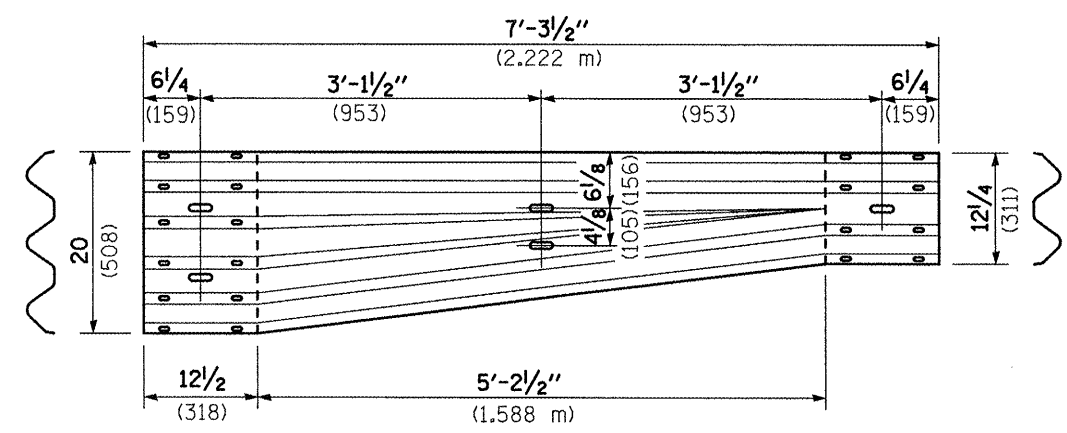
PLAN



ELEVATION WEST SIDE SUE



SECTION A-A



TRANSITION SECTION
(10 gauge (3.4) rail element)

NOT TO SCALE

FILE NAME =	USER NAME = watersle	DESIGNED -	REVISED -	STATE OF ILLINOIS DEPARTMENT OF TRANSPORTATION	GUARDRAIL DETAILS (LOCATION #1 - TBT TY 6B (SPECIAL))	F.A. RTE.	SECTION	COUNTY	TOTAL SHEETS	SHEET NO.	
6d83-sht-plan.dgn	6d83-sht-plan.dgn	DRAWN -	REVISED -			VAR.	DIST. 8 RESURF. 2010-5	MADISON	57	47	
PLOT SCALE = 100.0000' / IN.		CHECKED -	REVISED -			SCALE: _____ SHEET NO. 3 OF 8 SHEETS STA. _____ TO STA. _____		CONTRACT NO. 76083			
PLOT DATE = 3/12/2010		DATE -	REVISED -			FED. ROAD DIST. NO. 8 ILLINOIS FED. AID PROJECT					