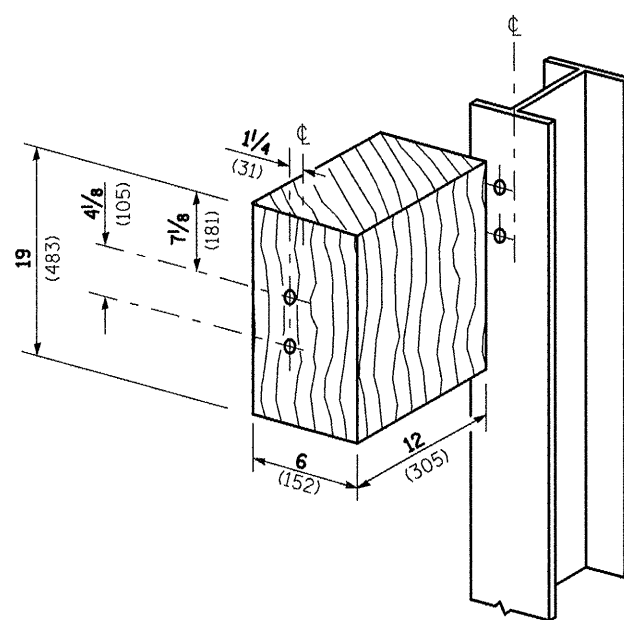
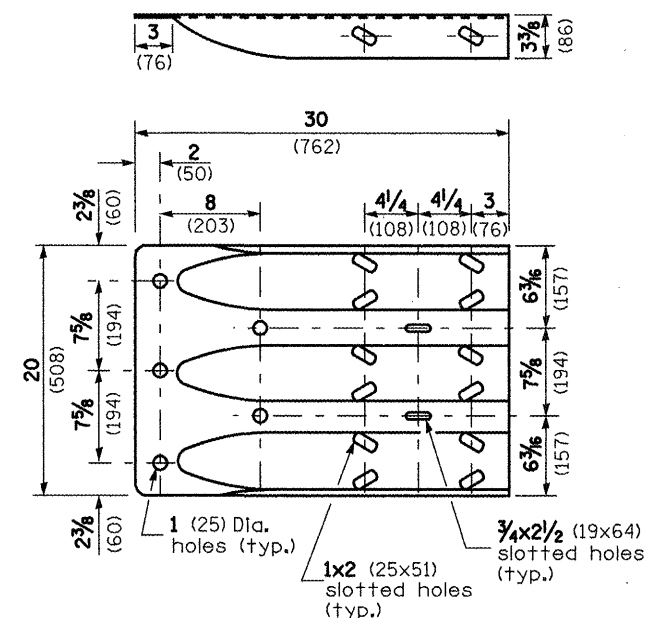


**POSTS 1-11 WOOD BLOCKOUT DETAIL**

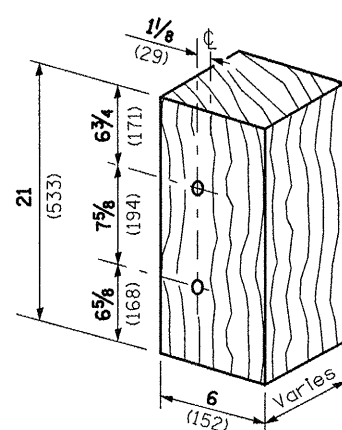


**POST 12 WOOD BLOCKOUT DETAIL**

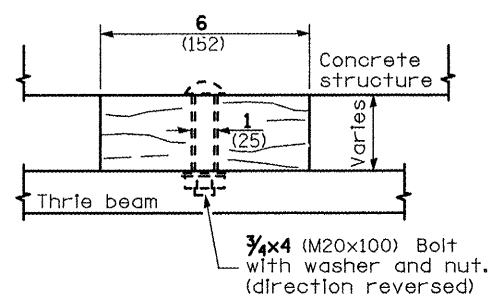
(See Standard 630001 for post 13-17 blockouts.)



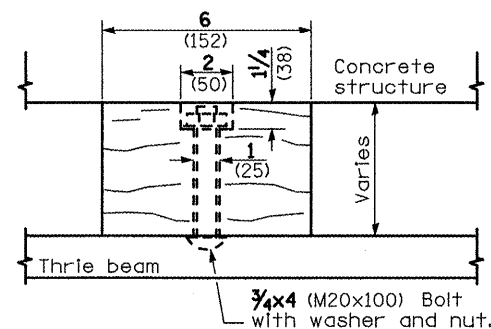
**THRIE BEAM END SHOE DETAIL**



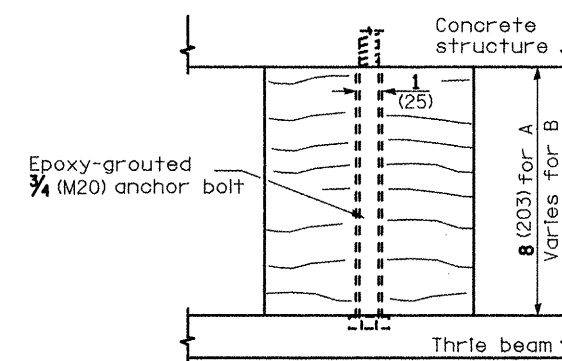
**MODIFIED THICKNESS DETAIL  
WOOD BLOCKOUTS A, B, C, & D**



**WOOD BLOCKOUT D**



**WOOD BLOCKOUT C**



**WOOD BLOCKOUT A & B**

NOT TO SCALE

|  |                      |
|--|----------------------|
| FILE NAME =                            | USER NAME = watersle |
| en\pw\work\PWIDOT\WATERSLE\d8175033\d8 | 6d83-shr-plandgn     |
| PLOT SCALE = 100.0000' / IN.           |                      |
| PLOT DATE = 3/12/2010                  |                      |

|            |          |
|------------|----------|
| DESIGNED - | REVISD - |
| DRAWN -    | REVISD - |
| CHECKED -  | REVISD - |
| DATE -     | REVISD - |

|            |          |
|------------|----------|
| DESIGNED - | REVISD - |
| DRAWN -    | REVISD - |
| CHECKED -  | REVISD - |
| DATE -     | REVISD - |

**STATE OF ILLINOIS  
DEPARTMENT OF TRANSPORTATION**

|  |               |
|--|---------------|
| <b>GUARDRAIL DETAILS (LOCATION #1)</b> |               |
| SCALE: _____                           | TO STA. _____ |
| SHEET NO. 5 OF 8 SHEETS                |               |

|   |         |         |              |           |
|---|---------|---------|--------------|-----------|
| F.A. RTE.                                       | SECTION | COUNTY  | TOTAL SHEETS | SHEET NO. |
| VAR. DIST. 8 RESURF. 2010-5                     |         | MADISON | 57           | 49        |
| <b>CONTRACT NO. 76063</b>                       |         |         |              |           |
| FED. ROAD DIST. NO. 8 ILLINOIS FED. AID PROJECT |         |         |              |           |