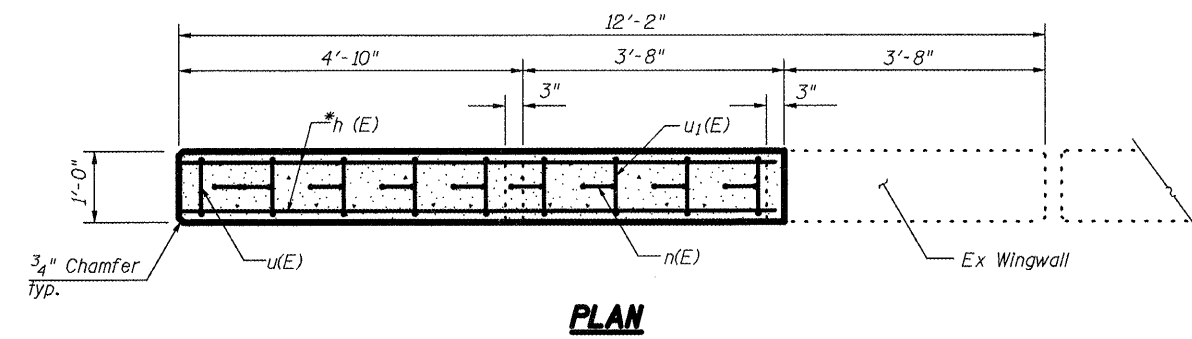
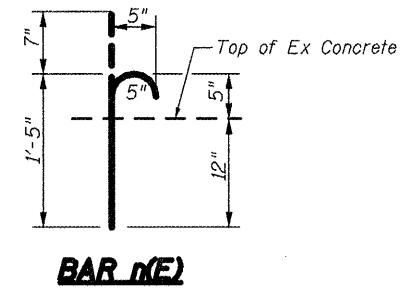
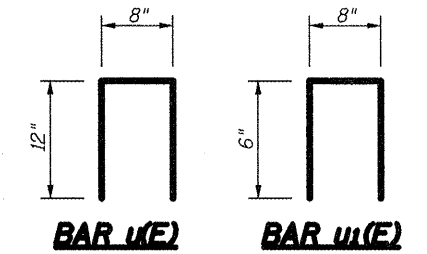


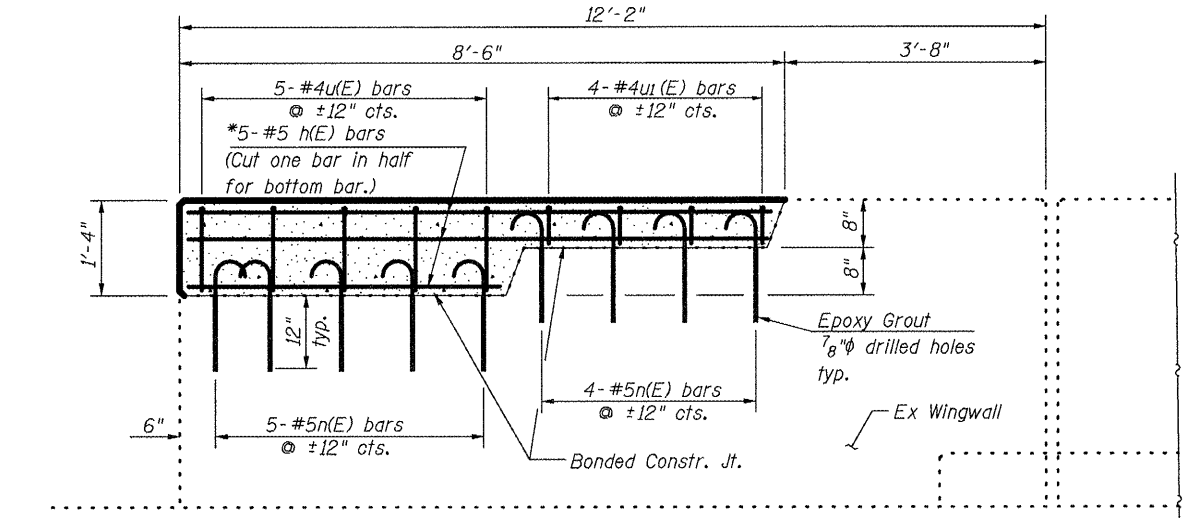
STATE OF ILLINOIS
DEPARTMENT OF TRANSPORTATION

GENERAL NOTES

Reinforcement bars shall conform to the requirements of ASTM A 706 Gr 60. See Special Provisions
Reinforcement bars designated (E) shall be epoxy coated.
Plan dimensions and details relative to existing plans are subject to routine variations. The Contractor shall field verify existing dimensions and details affecting new construction and make necessary approved adjustments prior to construction or ordering of materials. Such variations shall not be cause for additional compensation for a change in scope of the work, however, the Contractor will be paid for the quantity actually furnished based upon the unit price bid for the work.
Epoxy Grouting to be done in accordance with Art. 584 of the Standard Specifications. Cost included with Reinforcement Bars (Epoxy Coated).
Class BS Concrete shall be used for all wingwall concrete.
All Exposed edges shall be Chamfered 3/4".

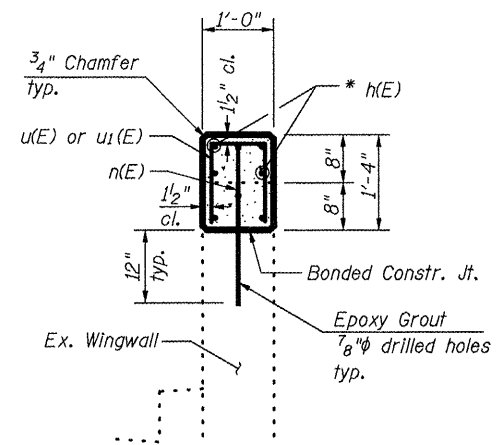


PLAN



ELEVATION

* - cut h(E) bars to fit - both faces



END SECTION

BILL OF MATERIALS

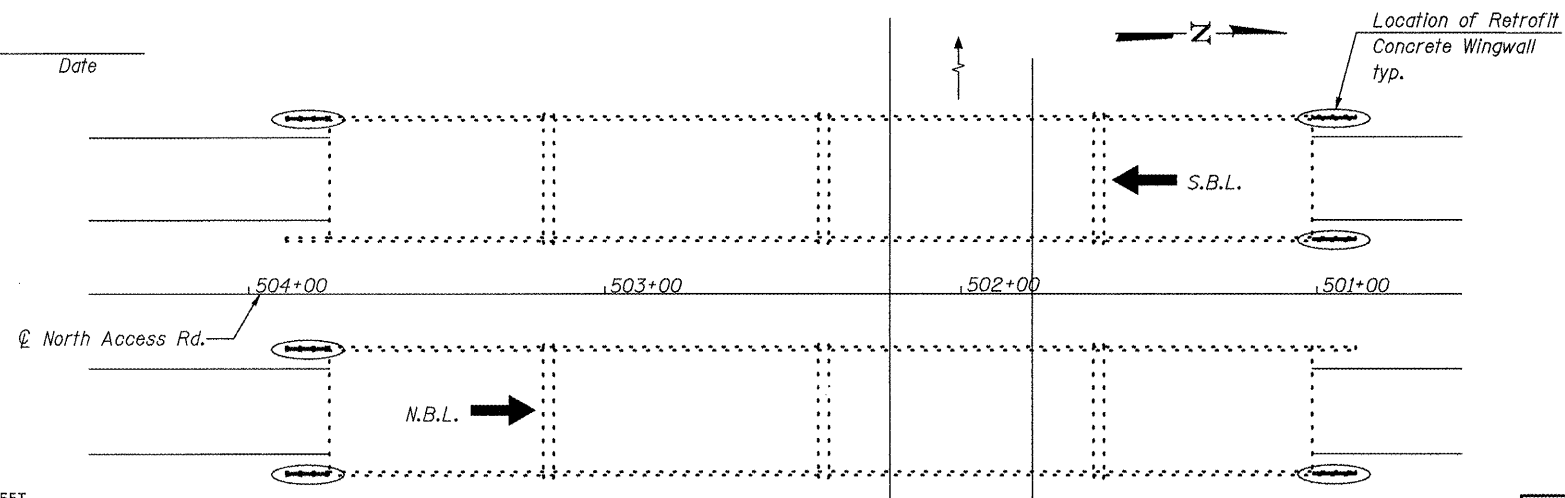
(For 6 Wingwalls)

BAR NO.	SIZE	LENGTH	SHAPE
h(E)	30 #5	8'-3"	—
n(E)	54 #5	2'-0"	U
u(E)	30 #4	2'-8"	U
u1(E)	24 #4	1'-8"	U
Reinforcement Bars, Epoxy Coated			Pounds 460
Concrete Structures			Cu. Yd. 1.9

NOTE
Existing surfaces adjacent to new concrete shall be cleaned by sandblasting and all loose or deteriorated concrete shall be removed prior to forming and pouring new concrete. Cost included in Concrete Structures.

RETROFIT CONCRETE WING WALL
F.A.S. RTE. 770 OVER CAHOKIA CREEK
SEC. DISTRICT 8 RESURFACING 2010-5
MADISON COUNTY
STATION 502+61.38
S.N. 060-0140 & 060-0141

David Booher, Illinois S.E. 081-004775 Date
Expires 11-30-2010



LOCATION SKETCH

DESIGNED	DRB
CHECKED	-
DRAWN	THW
CHECKED	-

ie consultants
IE CONSULTANTS, INC
6420 SOUTH SIXTH STREET
SPRINGFIELD, ILLINOIS 62712
TEL. (217) 529-8027
FAX (217) 529-4543
IESPRINGFIELD@IE-CONSULTANTS.COM
WWW.IE-CONSULTANTS.COM

SHEET NO. 3 OF 4 SHEETS	F.A. RTE.	SECTION	COUNTY	TOTAL SHEETS	SHEET NO.
	VARIOUS	DISTRICT 8 RESURFACING 2010-5	MADISON	57	52
CONTRACT NO. 76D83					
ILLINOIS FED. AID PROJECT					