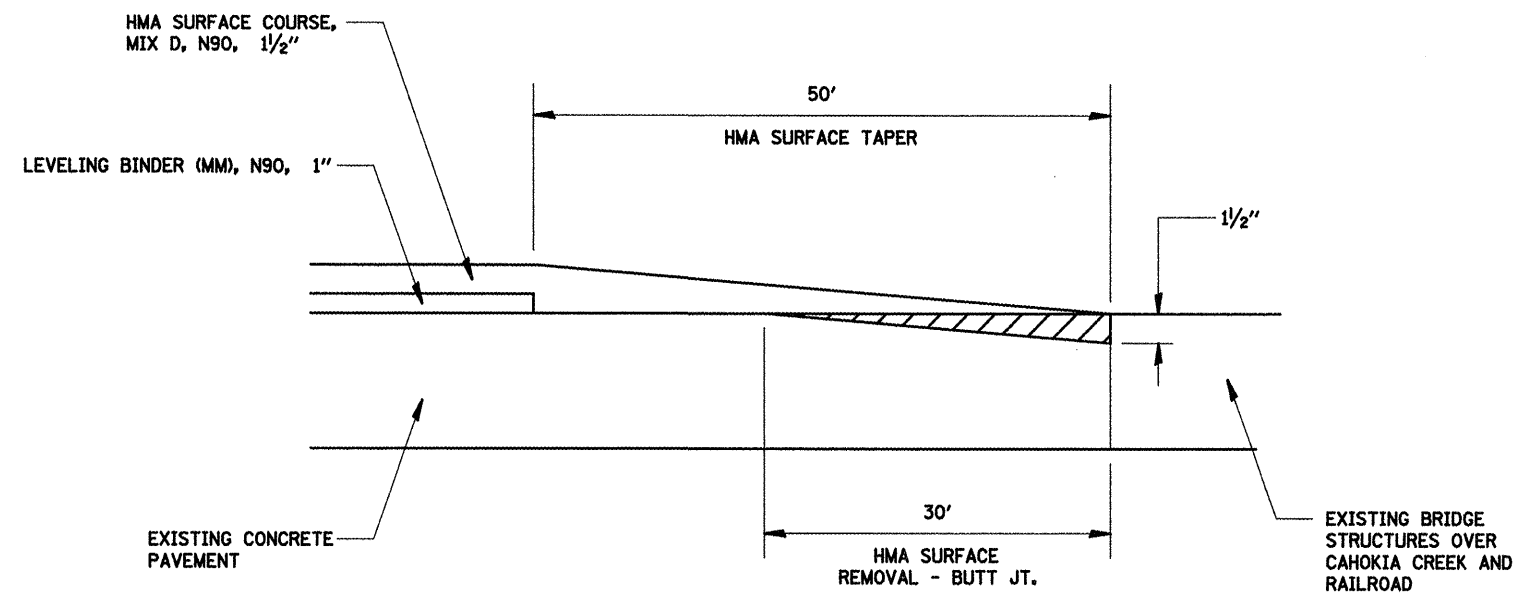
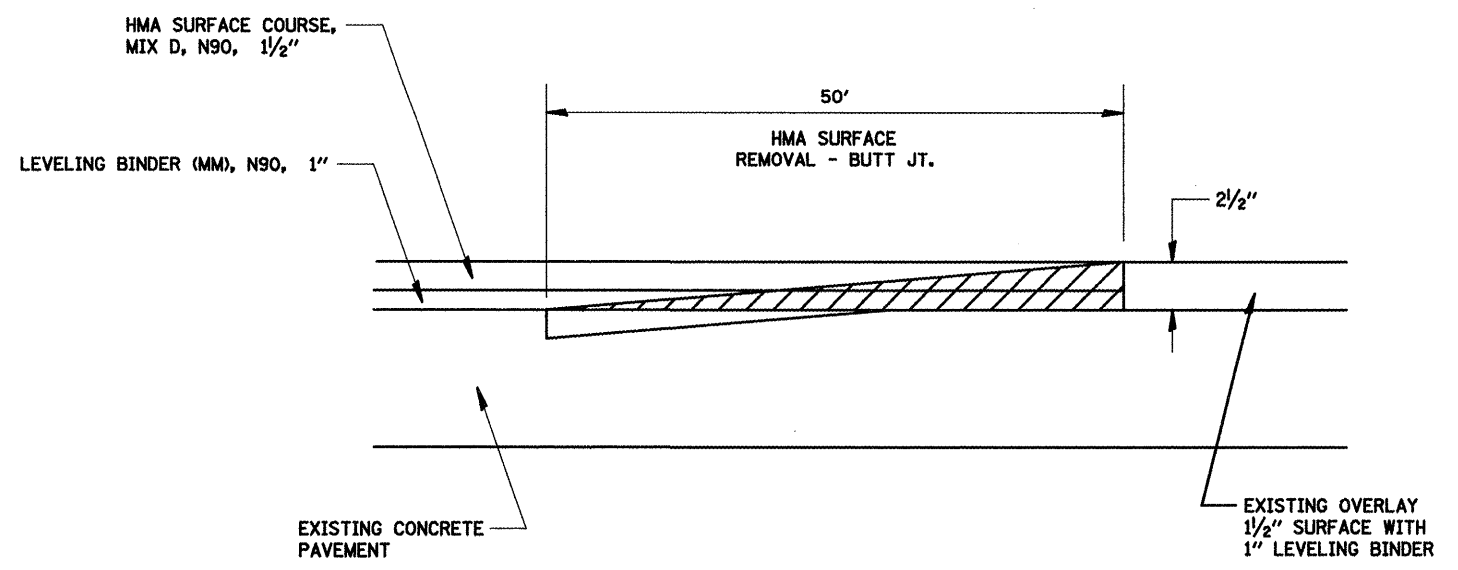


**BUTT JOINT DETAILS  
AT ALL RAMPS**

- RAMP 1 - STA. 166+73
- RAMP 2 - STA. 285+29
- RAMP 3 - STA. 394+48
- RAMP 4 - STA. 449+01



**BUTT JOINT DETAIL  
AT STRUCTURES**



**BUTT JOINT DETAIL  
ON NORTH ACCESS ROAD**

ALL LANES STA. 540+50

|                                      |                              |            |           |   |                              |   |                        |         |             |    |
|--------------------------------------|------------------------------|------------|-----------|---|------------------------------|---|------------------------|---------|-------------|----|
| FILE NAME =                          | USER NAME = waterale         | DESIGNED - | REVISED - | <b>STATE OF ILLINOIS<br/>DEPARTMENT OF TRANSPORTATION</b> | <b>MISCELLANEOUS DETAILS</b> | F.A. RTE.   | SECTION                | COUNTY  | TOTAL SHEET |    |
| cd\pwork\PWIDOT\WATERSLE\d0175033\d8 | 6d83-ahb-plen.dgn            | DRAWN -    | REVISED - |   |                              | VAR.  | DIST. 8 RESURF. 2010-5 | MADISON | 57          | 57 |
|                                      | PLOT SCALE = 100.0000' / IN. | CHECKED -  | REVISED - |   |                              | CONTRACT NO. 76D83                                |                        |         |             |    |
|                                      | PLOT DATE = 3/12/2010        | DATE -     | REVISED - |   |                              | FED. ROAD DIST. NO. 8 (ILLINOIS) FED. AID PROJECT |                        |         |             |    |