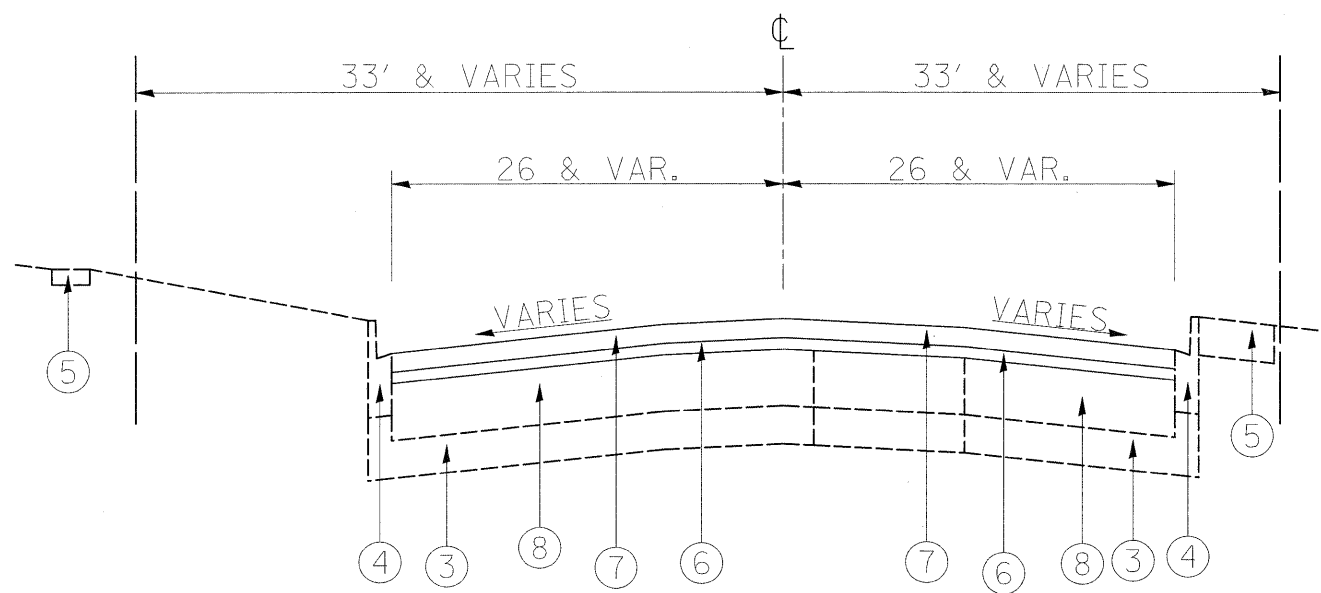


EXISTING TYPICAL CROSS SECTION
U.S. RTE. 12/20/45 (MANNHEIM RD.)

LEGEND

- ① EXISTING HMA SURFACE COURSE, 17 1/2"(±)
- ② PROPOSED HMA SURFACE REMOVAL, 2 1/2"
- ③ EXISTING SUB-BASE GRANULAR MATERIAL, TYPE A, 6"
- ④ EXISTING CURB & GUTTER
- ⑤ EXISTING P.C.C. SIDEWALK, 5"
- ⑥ PROPOSED POLYMERIZED LEVELING BINDER (MM), IL-4.75, N50, 3/4"
- ⑦ PROPOSED HMA SURFACE COURSE, MIX "F", N90, RUBBER MODIFIED, 1 3/4"
- ⑧ EXISTING HMA SURFACE OVERLAY, ±15"



PROPOSED TYPICAL CROSS SECTION
U.S. RTE. 12/20/45 (MANNHEIM RD.)

HOT-MIX ASPHALT MIXTURE REQUIREMENTS		
MIXTURE TYPE	AC TYPE	AIR VOIDS (%)
HMA SURFACE COURSE, MIX "F", N90, RUBBER MODIFIED	64-22 GTR 10	4% AT 90 GYR.
POLYMERIZED LEVELING BINDER (MM), IL-4.75, N50	SBS/SBR PG 76-28/-22	4% AT 50 GYR.
CLASS D PATCHES, (HMA BINDER IL 19 mm)	PG 64-22*	4% AT 70 GYR.

NOTES:

THE UNIT WEIGHT USED TO CALCULATE ALL HMA SURFACE COURSE MIXTURES IS 112 LBS/SQ YD/IN
*WHEN RAP EXCEEDS 20%, THE NEW ASPHALT BINDER IN THE MIX SHALL BE PG 58-22

NOTE:
THE CONTRACTOR SHALL MILL FIRST (BEFORE CLASS D PATCHING)