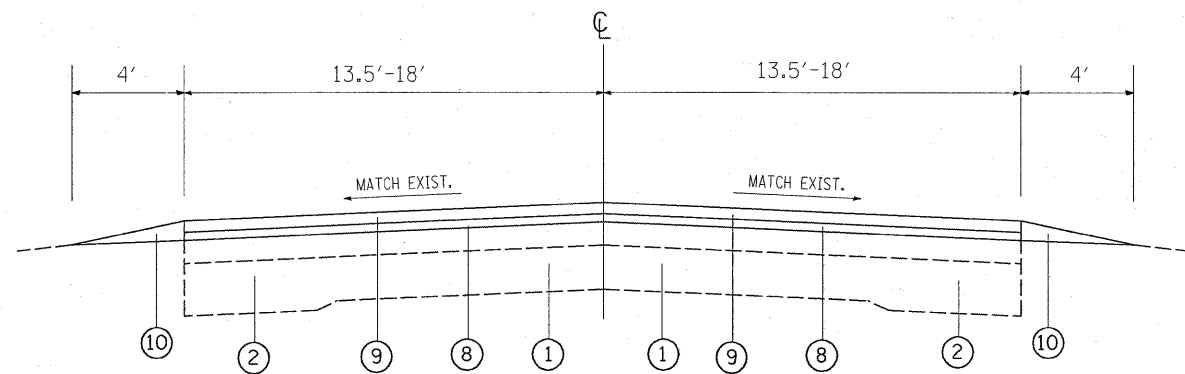
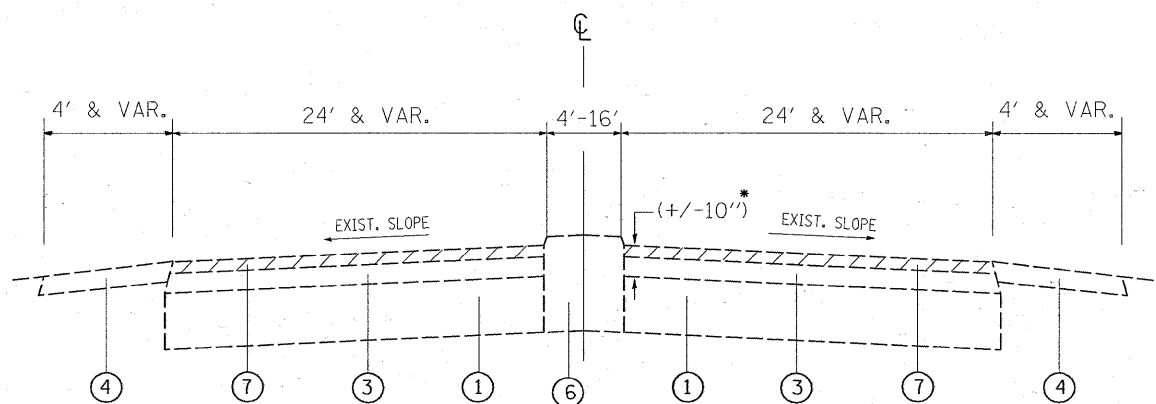


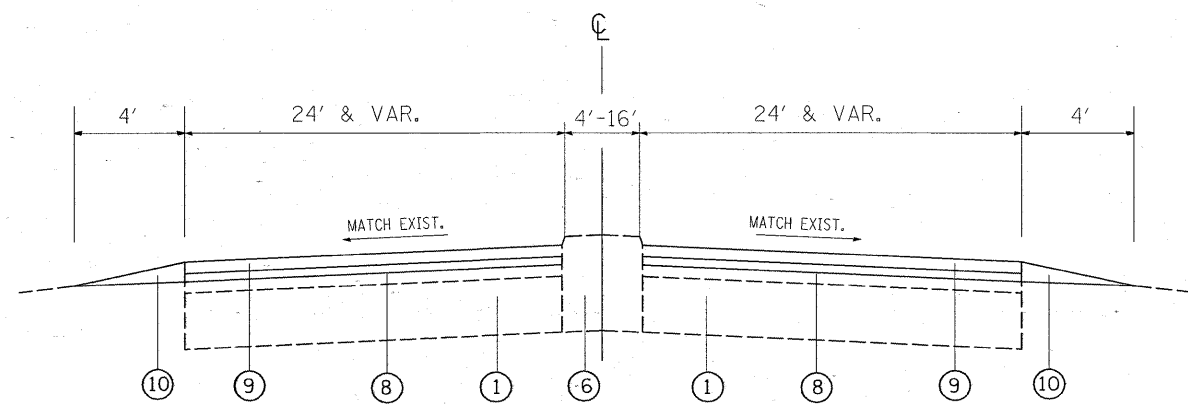
EXISTING TYPICAL SECTION
 IL ROUTE 58 (GOLF ROAD)
 STA. 26+85 TO STA. 120+49
 STA. 121+05 TO STA. 170+00



PROPOSED TYPICAL SECTION
 IL ROUTE 58 (GOLF ROAD)
 STA. 26+85 TO STA. 120+49
 STA. 121+05 TO STA. 170+00



EXISTING TYPICAL SECTION
 IL ROUTE 58 (GOLF ROAD)
 STA. 170+00 TO STA. 171+72



PROPOSED TYPICAL SECTION
 IL ROUTE 58 (GOLF ROAD)
 STA. 170+00 TO STA. 171+72

LEGEND

- ① EXISTING P.C.C. PAVEMENT, 8" (+/-)
- ② EXISTING P.C.C. WIDENING
- ③ EXISTING HMA SURFACE COURSE, 10" (+/-)
- ④ EXISTING AGGREGATE SHOULDER
- ⑤ EXISTING HMA SHOULDER
- ⑥ EXISTING CONCRETE MEDIAN (CORRUGATED)
- ⑦ PROPOSED HMA SURFACE REMOVAL, 2 1/4 "
- ⑧ PROPOSED POLYMERIZED LEVELING BINDER (MACHINE METHOD), IL-4.75, N50, 3/4 "
- ⑨ PROPOSED HMA SURFACE COURSE, MIX "D", N70, 1 1/2 "
- ⑩ PROPOSED AGGREGATE WEDGE SHOULDER, TYPE B

* CONTRACTOR SHALL MILL FIRST BEFORE PATCHING

FILE NAME =	USER NAME = shiranisb	DESIGNED -	REVISED -	STATE OF ILLINOIS DEPARTMENT OF TRANSPORTATION	EXISTING AND PROPOSED TYPICAL SECTIONS IL 58 (GOLF ROAD)/SHADY OAKS DR. TO IL 59	F.A.U. RTE.	SECTION	COUNTY	TOTAL SHEETS	SHEET NO.
c:\pwork\pwork\SHIRANISB\dms89101\sh-dwg.dgn	DRAWN -	REVISED -	1320			581 RS-1	COOK	21	5	
PLOT SCALE = 50.0000' / IN.	CHECKED -	REVISED -	CONTRACT NO. 60F35							
PLOT DATE = 3/11/2009	DATE -	REVISED -	ILLINOIS FED. AID PROJECT							
				SCALE:	SHEET NO. OF SHEETS	STA. TO STA.				