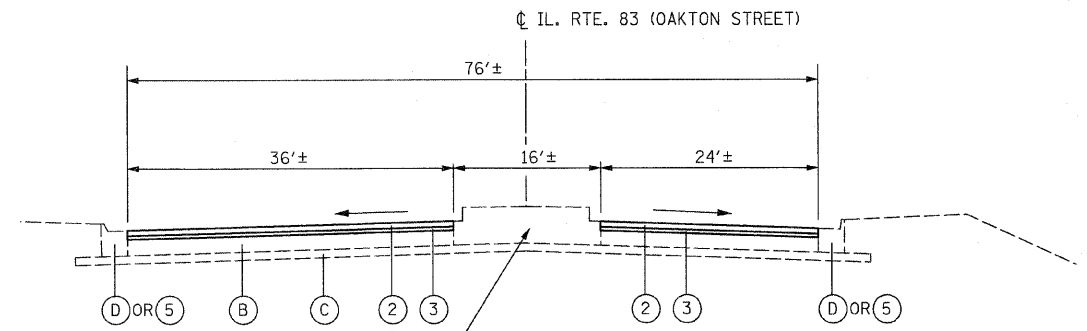


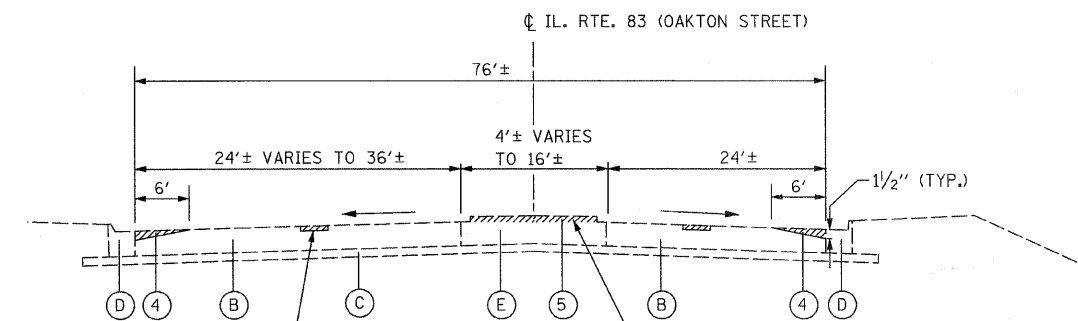
CONC. CURB AND GUTTER TYPE B-6.12 & CONCRETE MEDIAN SURFACE, 4"
 * CONTRACTOR SHALL VARIER HMA SURFACE REMOVAL DEPTH AS NEEDED BASE ON FEILD CONDITIONS

EXISTING TYPICAL SECTION
 STA. 4+61.56 TO STA 5+54.4

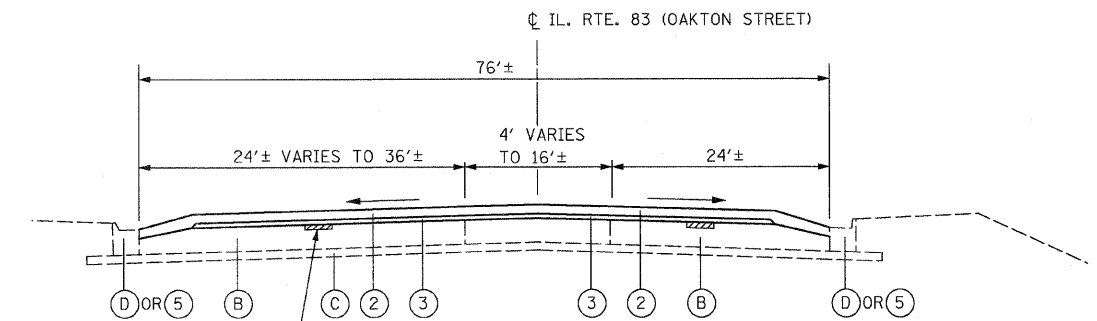


CONC. CURB AND GUTTER TYPE B-6.12 & CONCRETE MEDIAN SURFACE, 4"

PROPOSED TYPICAL SECTION
 STA. 4+61.56 TO STA 5+54.4



PARTIAL DEPTH REMOVAL 3"
 MEDIAN REMOVAL PARTIAL DEPTH (REMOVE CORRUGATED P.C.C. MEDIAN SURFACE FLUSH WITH PAVEMENT)
EXISTING TYPICAL SECTION
 STA. 5+54.4 TO STA 9+50



PARTIAL DEPTH PATCHING
PROPOSED TYPICAL SECTION
 STA. 5+54.4 TO STA 9+50

EXISTING CONDITIONS:

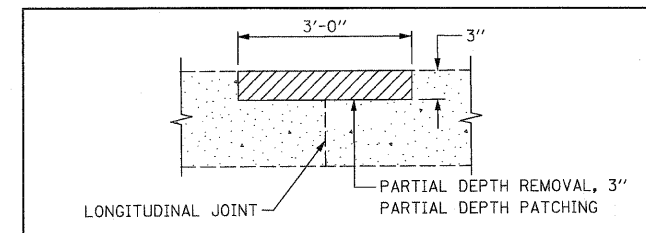
- (A) HOT-MIX ASPHALT SURFACE COURSE
- (B) CONCRETE PAVEMENT, 10" & VARIES TO 12"
- (C) SUB-BASE GRANULAR MATERIAL, TYPE A, 6"
- (D) COMBINATION CONCRETE CURB AND GUTTER, TYPE B-6.24
- (E) CORRUGATED P.C. CONCRETE MEDIAN

PROPOSED IMPROVEMENTS:

- (1) HOT-MIX ASPHALT SURFACE REMOVAL, 2 1/2"
- (2) POLYMERIZED HOT-MIX ASPHALT SURFACE COURSE, MIX "F", N90, 1 3/4"
- (3) POLYMERIZED LEVELING BINDER (MACHINE METHOD), IL-4.75, N50, 3/4"
- (4) P.C.C. SURFACE REMOVAL (VARIABLE DEPTH)
- (5) COMB. CONC. CURB AND GUTTER REMOVAL AND REPLACEMENT

(LOCATIONS AS DETERMINED BY THE ENGINEER)

NOTE: THE CONTRACTOR SHALL PATCH FIRST PRIOR TO MILLING WITHIN THE HMA SURFACES.



PARTIAL DEPTH REPAIR DETAIL

LONGITUDINAL JOINTS SHALL BE REPAIRED AT LOCATIONS AS DIRECTED BY THE ENGINEER

* WHEN RAP EXCEEDS 20%, THE NEW ASPHALT BINDER IN THE MIX SHALL BE PG 58-22. THE UNIT WEIGHT USED TO CALCULATE ALL HMA MIXTURE QUANTITIES IS 112 LBS/SQ YD/IN.

ROADWAY NAME	HOT-MIX ASPHALT MIXTURE REQUIREMENTS		
	MIXTURE TYPE	AC TYPE	AIR VOIDS
ILL. RTE. 83 (OAKTON STREET)	POLYMERIZED HOT-MIX ASPHALT SURFACE COURSE, MIX "F", N90 (IL-9.5mm)	SBS/SBR PG 70-22	4% @ 90 GYR
	POLYMERIZED LEVELING BINDER (MACHINE METHOD), IL-4.75, N50	SBS/SBR PG 76-28/-22	4% @ 50 GYR
	CLASS D PATCHES (HMA BINDER, IL-19mm)	* PG 64-22	4% @ 70 GYR.
	HMA REPLACEMENT OVER PATCHES AND PARTIAL DEPTH PATCHING (HMA BINDER, IL-19mm)	* PG 64-22	4% @ 70 GYR.

FILE NAME = #FILES#
 PLOT DATE = #DATE#

CHRISTIAN-ROGE & ASSOCIATES, INC.
 ENGINEERS-PLANNERS-SURVEYORS
 211 WEST WACKER DRIVE
 CHICAGO, ILLINOIS 60606
 PHONE: (312)372-2023 FAX: (312)372-5274

DESIGNED - K.R.K. REVISIONS -
 DRAWN - B.K. REVISIONS -
 CHECKED - S.J.P. REVISIONS -
 DATE - MARCH 20, 2009 REVISIONS -

STATE OF ILLINOIS
DEPARTMENT OF TRANSPORTATION

TYPICAL SECTIONS
IL. 83 (OAKTON STREET) IL. 72 TO ELMHURST ROAD

SCALE: NONE SHEET NO. 1 OF 2 SHEETS STA. TO STA.

F.A.P. RTE.	SECTION	COUNTY	TOTAL SHEETS	SHEET NO.
344	0405 RS-8	COOK	24	4
				CONTRACT NO. 60F41
FED. ROAD DIST. NO. 1 ILLINOIS FED. AID PROJECT				