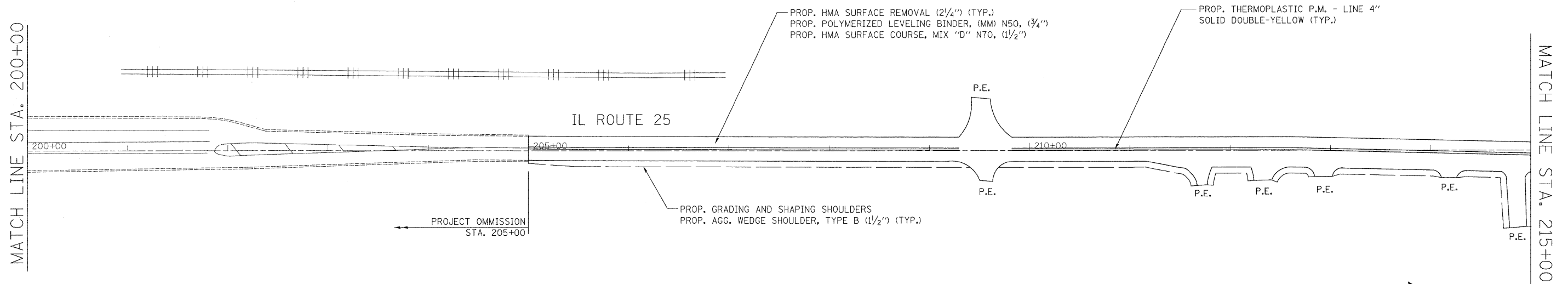
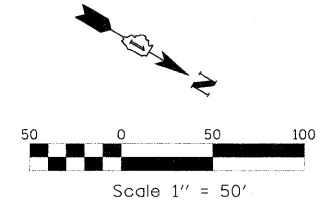


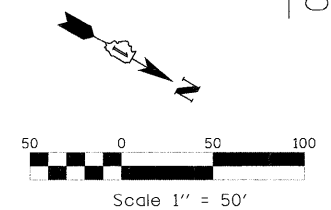
GENERAL NOTES:

- BEFORE STARTING ANY EXCAVATION, THE CONTRACTOR SHALL CALL "JULIE" AT (800) 892-0123 FOR FIELD LOCATIONS OF BURIED UTILITIES. (48 HOUR NOTIFICATION IS REQUIRED).
- HOT-MIX ASPHALT SURFACE REMOVAL - BUTT JOINT SHALL BE PLACED AT THE FINAL 30' OF RESURFACING LIMITS OF MAINLINE AND SIDEROADS, UNLESS OTHERWISE SPECIFIED.
- ALL RAISED REFLECTIVE PAVEMENT MARKERS SHALL BE PLACED IN ACCORDANCE WITH "RAISED REFLECTIVE PAVEMENT MARKERS (SNOW PLOW RESISTANT)" (TC-11).
- ALL PROPOSED PAVEMENT MARKINGS SHALL BE PLACED IN ACCORDANCE WITH "DISTRICT ONE TYPICAL PAVEMENT MARKINGS" (TC-13).
- THERMOPLASTIC PAVEMENT MARKING - LINE 4" SOLID WHITE SHALL BE PLACED ALONG 2" FROM EDGE OF PAVEMENT WHERE AGGREGATE OR HMA SHOULDER IS PRESENT.
- ALL PAVEMENT PATCHING, SIDEWALK REPLACEMENT, MEDIAN SURFACE REPLACEMENT, COMBINATION CONCRETE CURB AND GUTTER REPLACEMENT, AND DRIVEWAY REPLACEMENT LOCATIONS SHALL BE DETERMINED BY THE ENGINEER IN THE FIELD.
- LOCATIONS FOR STORM SEWER AND DRAINAGE STRUCTURE CLEANING, AND ALL DRAINAGE STRUCTURE AND APPURTENANCES TO BE ADJUSTED SHALL BE DETERMINED BY THE ENGINEER IN THE FIELD.



GENERAL NOTES (CONT.):

- IN ADDITION TO FIELD REVIEW AND AERIAL DATA, PLAN DIMENSIONS AND DETAILS RELATIVE TO THE EXISTING FACILITIES HAVE BEEN TAKEN FROM EXISTING PLANS AND ARE SUBJECT TO CONSTRUCTION VARIATIONS. IT SHALL BE THE CONTRACTOR'S RESPONSIBILITY TO VERIFY SUCH DIMENSIONS AND DETAILS IN THE FIELD. SUCH VARIATIONS SHALL NOT BE A CAUSE FOR ADDITIONAL COMPENSATION DUE TO A CHANGE IN THE SCOPE OF THE WORK. HOWEVER, THE CONTRACTOR WILL BE PAID FOR THE QUANTITY ACTUALLY FURNISHED AT THE BID PRICE FOR THE WORK.
- THE LOCATION AND CONFIGURATION OF ALL EXISTING PAVEMENT MARKINGS, INCLUDING NO PASSING ZONES, WILL BE NOTED PRIOR TO RESURFACING AND REPLACED IN THE SAME LOCATIONS AFTER RESURFACING. COST TO BE INCLUDED IN THE RELATED PAVEMENT MARKING PAY ITEMS.



FILE NAME = ...W017\Aurora-Batavia\Sheets.dgn	USER NAME = Plotted by Administrator	DESIGNED - TP	REVISED -	STATE OF ILLINOIS DEPARTMENT OF TRANSPORTATION	ROADWAY AND PAVEMENT MARKING PLAN IL ROUTE 25 FROM SPRING STREET TO LAUREL STREET			F.A.U. RTE. 2503	SECTION (53 + 54) RS7	COUNTY KANE	TOTAL SHEETS 38	SHEET NO. 13
	PLOT SCALE = 50x0.0000' / IN.	DRAWN - TP	REVISED -		SCALE: 1"=50'	SHEET NO. 07 OF 12 SHEETS	STA. 185+00 TO STA. 215+00	CONTRACT NO. 60G67				
	PLOT DATE = 4/15/2009	CHECKED - FML	REVISED -		FED. ROAD DIST. NO. ILLINOIS FED. AID PROJECT							
		DATE - 04/2009	REVISED -									