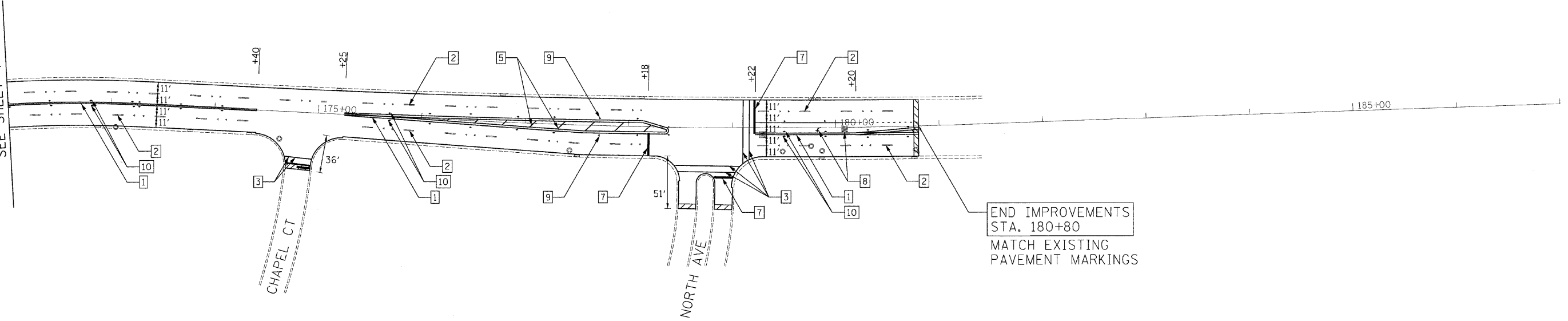




MATCH LINE STA. 172+00
SEE SHEET 7



LEGEND:

- | | |
|---|---|
| <ul style="list-style-type: none"> 1 THERMOPLASTIC PAVEMENT MARKING - LINE 4" (DOUBLE YELLOW SOLID LINE 11" C-C) 2 THERMOPLASTIC PAVEMENT MARKING - LINE 4" (WHITE LANE LINE - 10' DASH, 30' SKIP) WITH RAISED REFLECTIVE PAVEMENT MARKERS (2 ONE-WAY CRYSTAL MARKER) (80' C-C) 3 THERMOPLASTIC PAVEMENT MARKING - LINE 6" (WHITE SOLID LINE) 4 THERMOPLASTIC PAVEMENT MARKING - LINE 6" (WHITE LANE LINE - 2' DASH, 6' SKIP) 5 THERMOPLASTIC PAVEMENT MARKING - LINE 12" (YELLOW DIAGONAL LINE) | <ul style="list-style-type: none"> 6 THERMOPLASTIC PAVEMENT MARKING - LINE 12" (WHITE LINE) 7 THERMOPLASTIC PAVEMENT MARKING - LINE 24" (WHITE STOP LINE) 8 THERMOPLASTIC PAVEMENT MARKING - LETTERS AND SYMBOLS (TYP.) 9 RAISED REFLECTIVE PAVEMENT MARKERS (ONE-WAY AMBER MARKER) (40' C-C) 10 RAISED REFLECTIVE PAVEMENT MARKERS (TWO-WAY AMBER MARKER) (40' C-C) 11 RAISED REFLECTIVE PAVEMENT MARKERS (ONE-WAY CRYSTAL MARKER) (40' C-C) |
|---|---|

FILE NAME = n:\proj\3360\3360-18\design\proposed\plan\3360-18-Prop04.dgn

Ciorba Group, Inc.
CONSULTING ENGINEERS
5507 North Cumberland Avenue, Suite 402
Chicago, Illinois 60656
Tel. 773.775.4009 Fax 773.775.4014

USER NAME = alou	DESIGNED - AL	REVISED -
DRAWN - RJR	CHECKED - WBL	REVISED -
PLOT SCALE = 50.0000' / IN.	DATE - 4/22/2009	REVISED -
PLOT DATE = 4/16/2009		

**STATE OF ILLINOIS
DEPARTMENT OF TRANSPORTATION**

**IL 43 / WAUKEGAN ROAD
0.2 MILES SOUTH OF CENTRAL AVENUE TO NORTH AVENUE
PROPOSED ROADWAY AND PAVEMENT MARKING PLAN**

SCALE: 1"=50' SHEET NO. 8 OF 25 SHEETS STA. STA 172+00 TO STA. STA 187+00

F.A.U. RTE.	SECTION	COUNTY	TOTAL SHEETS	SHEET NO.
2706	AY-RS-2	LAKE	25	8
FED. ROAD DIST. NO. 1 ILLINOIS FED. AID PROJECT			CONTRACT NO. 60G71	