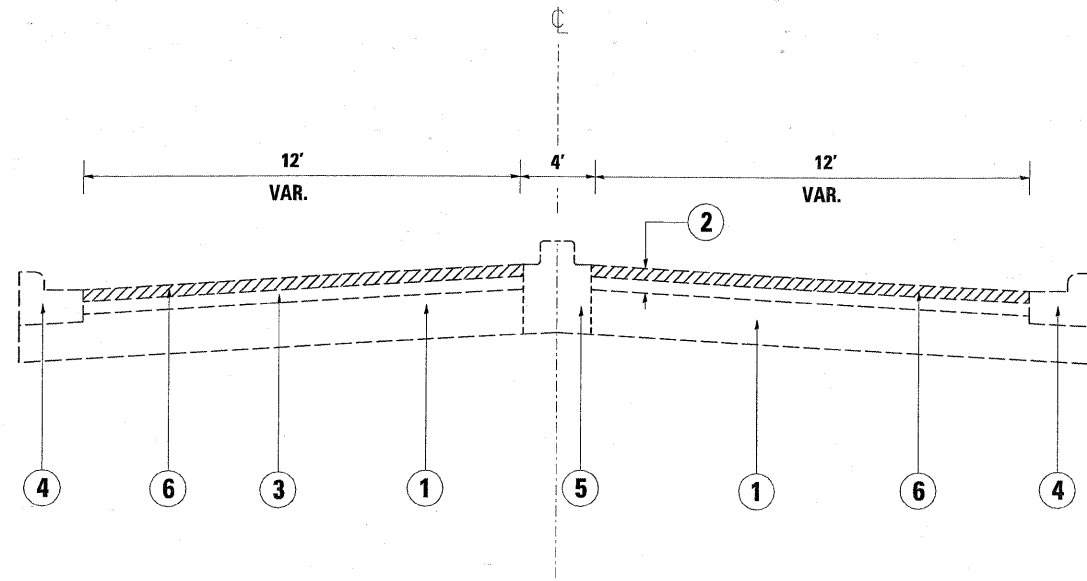


IL. 173 (ROSECRANS RD.)



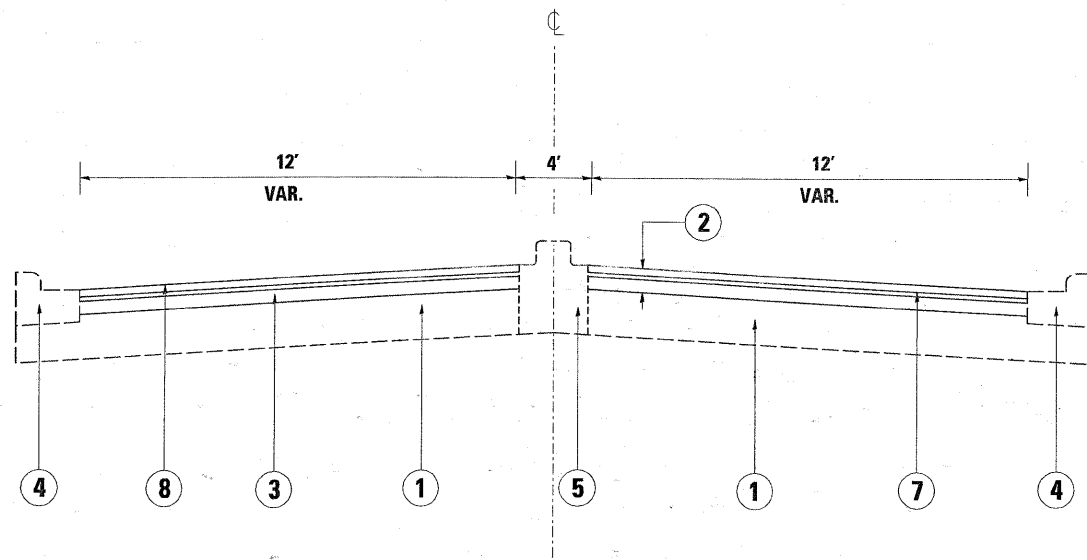
EXIST. TYPICAL SECTION

IL. 173
STA. 24+15 TO 27+85

LEGEND

- ① EXISTING PCC BASE COURSE, ± 10"
- ② TOTAL EXISTING HOT-MIX ASPHALT SURFACE COURSE, ± 5 1/4"
- ③ EXISTING HOT-MIX ASPHALT AFTER MILLING, ± 3"
- ④ EXISTING COMB. CURB AND GUTTER
- ⑤ EXISTING CONCRETE MEDIAN
- ⑥ PROP. HMA SURFACE REMOVAL, 2 1/4"
- ⑦ PROP. POLY. LEVELING BINDER (MACHINE METHOD), IL-4.75, N50, 3/4"
- ⑧ PROP. HOT-MIX ASPHALT SURFACE COURSE, MIX "D", N70, 1 1/2"

IL. 173 (ROSECRANS RD.)



EXIST. TYPICAL SECTION

IL. 173
STA. 24+15 TO 27+85

NOTE:

THE CONTRACTOR SHALL MILL FIRST BEFORE PATCHING

FILE NAME =	USER NAME = estimablek	DESIGNED -	REVISED -	STATE OF ILLINOIS DEPARTMENT OF TRANSPORTATION	IL. 173 (ROSECRANS RD.) [W. OF US 45 TO W. OF I-94] EXISTING AND PROPOSED TYPICAL SECTIONS	F.A.P. RTE.	SECTION	COUNTY	TOTAL SHEETS	SHEET NO.	
cr:\pwork\pwork\estimablek\0137945\0133509-sht-plon.dgn	PLOT SCALE = 50.0000' / IN.	DRAWN -	REVISED -			303	135 RS-3	LAKE	24	5	
PLOT DATE = 4/20/2009	DATE -	CHECKED -	REVISED -			CONTRACT NO. 60C79					
						SCALE:	SHEET NO. OF SHEETS	STA. TO STA.	FED. ROAD DIST. NO.	ILLINOIS FED. AID PROJECT	