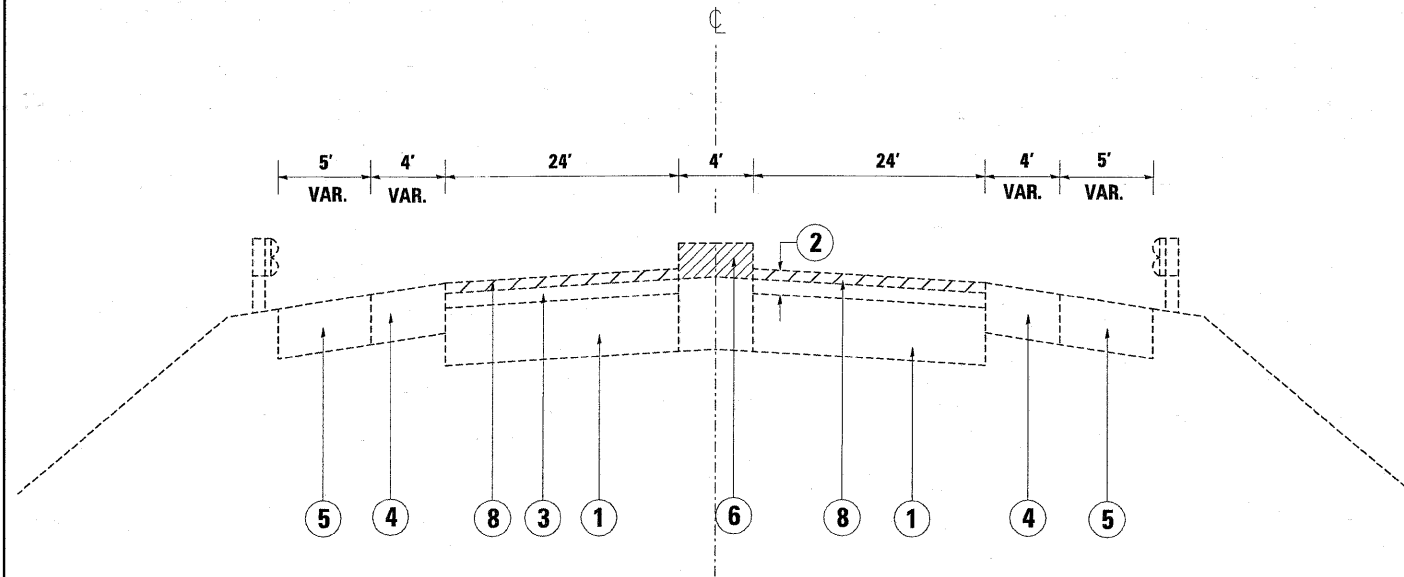


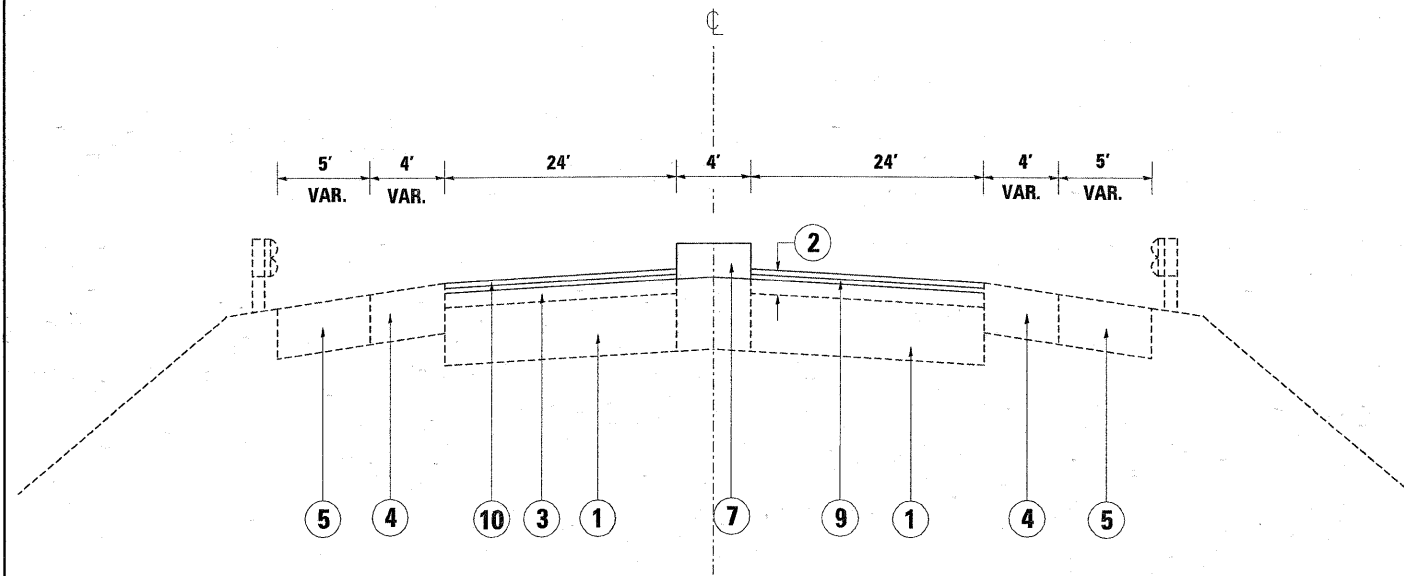
IL. 173 (ROSECRANS RD.)



**LEGEND**

- ① EXISTING PCC BASE COURSE, ± 10"
- ② TOTAL EXISTING HOT-MIX ASPHALT SURFACE COURSE, ± 5 1/4"
- ③ EXISTING HOT-MIX ASPHALT AFTER MILLING, ± 3"
- ④ EXISTING HOT-MIX ASPHALT SHOULDER
- ⑤ EXISTING AGGREGATE SHOULDER
- ⑥ PROP. BARRIER REMOVAL
- ⑦ PROP. BARRIER REPLACEMENT
- ⑧ PROP. HMA SURFACE REMOVAL, 2 1/4"
- ⑨ PROP. POLY. LEVELING BINDER (MACHINE METHOD), IL-4.75, N50, 3/4"
- ⑩ PROP. HOT-MIX ASPHALT SURFACE COURSE, MIX "D", N70, 1 1/2"

IL. 173 (ROSECRANS RD.)



**NOTE:**

THE CONTRACTOR SHALL MILL FIRST BEFORE PATCHING

FILE NAME =	USER NAME = estmablek	DESIGNED -	REVISED -	<b>STATE OF ILLINOIS DEPARTMENT OF TRANSPORTATION</b>	<b>IL. 173 (ROSECRANS RD.) [W. OF US 45 TO W. OF I-94] EXISTING AND PROPOSED TYPICAL SECTIONS</b>	F.A.P. RTE.	SECTION	COUNTY	TOTAL SHEETS	SHEET NO.	
c:\pw_work\pwrtdot\estmablek\d0137945\01	53509-shs-plan.dgn	DRAWN -	REVISED -			303	135 RS-3	LAKE	24	7	
PLOT SCALE = 50.00000 ' / IN.	CHECKED -	REVISED -	SCALE:			SHEET NO. OF SHEETS	STA. TO STA.	CONTRACT NO. 60C79			
PLOT DATE = 4/20/2009	DATE -	REVISED -	FED. ROAD DIST. NO. ILLINOIS FED. AID PROJECT								