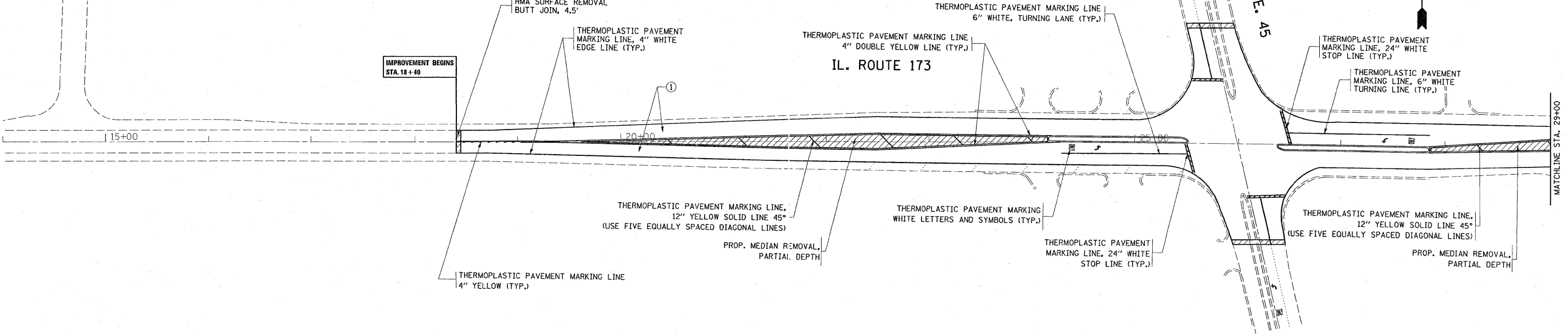
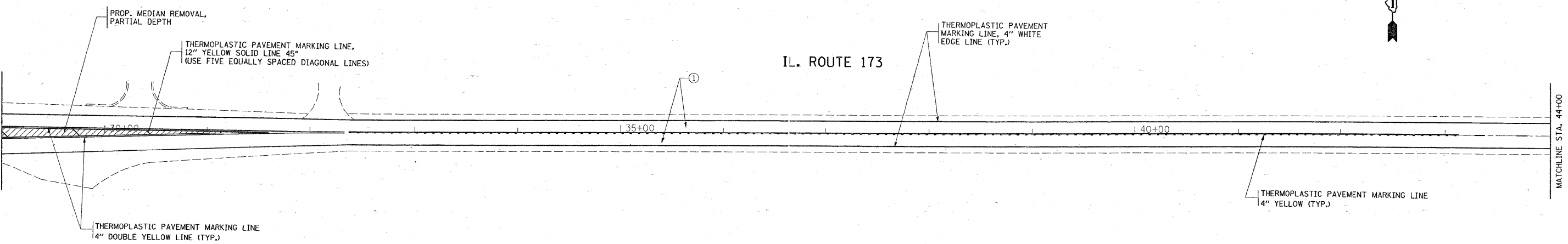


N. PEDERSON DR.



① PROP. HMA SURFACE REMOVAL, 2 1/4"  
 PROP. HMA SURFACE COURSE, MIX "D", N70, 1 1/2"  
 PROP. POLY. LEVELING BINDER (MACHINE METHOD), IL-4.75, N50, 3/4"



① PROP. HMA SURFACE REMOVAL, 2 1/4"  
 PROP. HMA SURFACE COURSE, MIX "D", N70, 1 1/2"  
 PROP. POLY. LEVELING BINDER (MACHINE METHOD), IL-4.75, N50, 3/4"

FILE NAME =	USER NAME = estumablek	DESIGNED -	REVISED -	<b>STATE OF ILLINOIS DEPARTMENT OF TRANSPORTATION</b>	<b>ROADWAY AND PAVEMENT MARKING PLAN IL. RTE. 173 (w/o US RTE 45 - w/o I-94)</b>			F.A.P. RTE. 303	SECTION 135 RS-3	COUNTY LAKE	TOTAL SHEETS 24	SHEET NO. 9
cr\pwwork\pwwork\estumablek\d0137945\013509-sht-plen.dgn	PLOT SCALE = 50.0000' / IN.	DRAWN -	REVISED -		SCALE: 1"=50'	SHEET NO.	OF SHEETS	STA.	TO STA.	CONTRACT NO. 11592		
	PLOT DATE = 4/28/2009	CHECKED -	REVISED -							ILLINOIS FED. AID PROJECT		
		DATE -	REVISED -									