

F.A.P. RTE.	SECTION	COUNTY	TOTAL SHEETS	SHEET NO.
303	135 RS-3	LAKE	24	1
		ILLINOIS	CONTRACT NO. 60G79	

STATE OF ILLINOIS
DEPARTMENT OF TRANSPORTATION
DIVISION OF HIGHWAYS

**PROPOSED
HIGHWAY PLANS**

FAP ROUTE 303: IL 173 (ROSECRANS RD.)
W. OF US 45 TO W. OF I-94 (TRI-STATE TOLLWAY)
SECTION 135 RS-3
RESURFACING
LAKE COUNTY
C-91-535-09

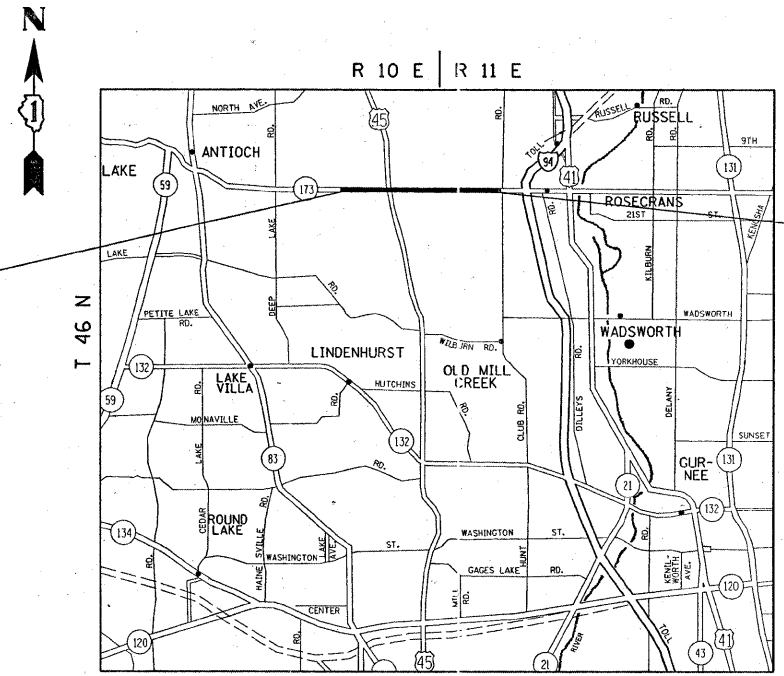
FOR INDEX OF SHEETS, SEE SHEET NO. 2

IMPROVEMENT IS LOCATED IN
THE VILLAGE OF ANTIOCH

TRAFFIC DATA:
2007 ADT = 15500
POSTED SPEED LIMIT = 50 MPH

IMPROVEMENT BEGINS
STA. 18+40

IMPROVEMENT ENDS
STA. 169+13



ANTIOCH TOWNSHIP

FULL SIZE PLANS HAVE BEEN PREPARED USING STANDARD ENGINEERING SCALES. REDUCED SIZED PLANS WILL NOT CONFORM TO STANDARD SCALES. IN MAKING MEASUREMENTS ON REDUCED PLANS, THE ABOVE SCALES MAY BE USED.

J.U.L.I.E.
JOINT UTILITY LOCATION INFORMATION FOR EXCAVATION
1-800-892-0123
OR 811

PROJECT ENGINEER ROBERT BORO (847) 705-4178
PROJECT MANAGER KEN ENG

CONTRACT NO. 60G79

GROSS AND NET LENGTH OF IMPROVEMENT = 15523 FT. = 2.85 MILE



STATE OF ILLINOIS
DEPARTMENT OF TRANSPORTATION
DIVISION OF HIGHWAYS

SUBMITTED APRIL 15, 2009

Diana M. O'Keefe DEPUTY DIRECTOR OF HIGHWAYS, REGION ENGINEER
May 1, 2009

Charles J. Ingerson ENGINEER OF DESIGN AND ENVIRONMENT
May 1, 2009

Christine M. Reed DIRECTOR OF HIGHWAYS, CHIEF ENGINEER

PRINTED BY THE AUTHORITY
OF THE STATE OF ILLINOIS

INDEX OF SHEETS

1	TITLE SHEET
2	INDEX OF SHEETS, STATE STANDARDS, AND GENERAL NOTES
3	SUMMARY OF QUANTITIES
4-8	TYPICAL SECTIONS
9-14	ROADWAY AND PAVEMENT MARKING PLAN
15	PAVEMENT PATCHING FOR HMA SURFACED PAVEMENT (BD-22)
16	CURB OR CURB AND GUTTER REMOVAL AND REPLACEMENT (BD-24)
17	BUTT JOINT AND HMA TAPER DETAILS (BD-32)
18	TRAFFIC CONTROL & PROTECTION FOR SIDE ROADS, INTERSECTION AND DRIVEWAYS (TC-10)
19	TYPICAL APPLICATIONS RAISED REFLECTIVE PAVEMENT MARKERS (SNOW PLOW RESISTANT) (TC-11)
20	DISTRICT ONE TYPICAL PAVEMENT MARKINGS (TC-13)
21	TRAFFIC CONTROL & PROTECTION OF TURN BAYS (TO REMAIN OPEN TO TRAFFIC) (TC-14)
22	PAVEMENT MARKING LETTERS AND SYMBOLS FOR TRAFFIC STAGING (TC-16)
23	ARTERIAL ROAD INFORMATION SIGN (TC-22)
24	DISTRICT 1 DETECTOR LOOP INSTALLATION DETAILS FOR ROADWAY RESURFACING (TS-07)

STATE STANDARDS

442201-03	CLASS C AND D PATCHES
604001-03	FRAME AND LIDS TYPE 1
606001-04	CONCRETE CURB AND COMBINATION CURB AND GUTTER
606301-04	PC CONCRETE ISLANDS AND MEDIANS
701101-02	OFF-ROAD MOVING OPERATIONS MULTILANE, 4.5 M (15') TO 600 MM (24") FROM PAVEMENT EDGE
701426-03	LANE CLOSURE, MULTILANE, INTERMITTENT OR MOVING OPERATIONS FOR SPEED ≥ 45 MPH
701606-04	URBAN LANE CLOSURE, MULTILANE, 2W WITH MOUNTABLE MEDIAN
701701-04	URBAN LANE CLOSURE, MULTILANE INTERSECTION
701901-01	TRAFFIC CONTROL DEVICES
780001-02	TYPICAL PAVEMENT MARKINGS

GENERAL NOTES

BEFORE STARTING ANY EXCAVATION, THE CONTRACTOR SHALL CALL "JULIE" AT 800-892-0123 or 811 FOR FIELD LOCATIONS OF BURIED ELECTRIC, TELEPHONE AND GAS FACILITIES. (48 HOUR NOTIFICATION IS REQUIRED)

THE CONTRACTOR SHALL COORDINATE CONSTRUCTION ACTIVITIES WITH UTILITY COMPANIES, VILLAGE OF ANTIOCH.

THE CONTRACTOR WILL NOT BE ALLOWED TO SET UP A YARD OR FIELD OFFICE ON STATE PROPERTY WITHOUT WRITTEN PERMISSION FROM THE DEPARTMENT.

WHEN MILLED PAVEMENT IS OPEN TO TRAFFIC THE MAXIMUM GRADE DIFFERENTIAL BETWEEN PASSES OF THE MILLING MACHINE SHALL NOT EXCEED 1 1/2 INCHES (40 MM) WHERE THE SPEED LIMIT IS 40 MPH (80 KM/H) OR LESS AND 1 INCH (25 MM) WHERE THE SPEED LIMIT IS GREATER THAN 45 MPH (80 KM/H). WITH WRITTEN APPROVAL FROM THE ENGINEER, A MAXIMUM GRADE DIFFERENTIAL OF 3 INCHES (75 MM) MAY BE ALLOWED IF THE EDGE OF THE MILLING IS SLOPED A MINIMUM 1:3 (V:H).

UNLESS OTHER CONDITIONS WARRANT EXTENDED LANE CLOSURE AS DETERMINED AND APPROVED IN WRITING BY THE ENGINEER OR AS PROVIDED FOR IN THE CONTRACT SPECIFICATIONS, OVERNIGHT CLOSURES SHALL NOT BE ALLOWED FOR REHABILITATION PROJECTS INVOLVING DAYTIME MILLING AND RESURFACING OPERATIONS AND CLASS D PATCHING.

THE RESIDENT ENGINEER SHALL CONTACT MS. DEBBIE HANLON AREA TRAFFIC FIELD ENGINEER AT (847) 438-2300 A MINIMUM OF 2 WEEKS PRIOR TO PLACEMENT OF PERMANENT PAVEMENT MARKING.

BEFORE BEGINING ANY WORK, THE CONTRACTOR SHALL RETAIN AND RECORD FOR FUTURE REFERANCE, ALL EXISTING PAVEMENT MARKING LINES (AND RAISED REFLECTIVE PAVEMENT MARKINGS) IN ORDER THAT THESE LOCATIONS CAN BE RE-ESTABLISHED FOR STRIPING. EXACT LOCATIONS OF ALL PAVEMENT MARKINGS SHALL BE AS DIRECTED BY THE ENGINEER.

ALL DAMAGE TO EXISTING PAVEMENT MARKINGS OR RAISED REFLECTIVE PAVEMENT MARKINGS OUTSIDE THE REMOVAL LINE SHOWN ON THE PLANS SHALL BE REPLACED AT NO ADDITIONAL COST TO THE DEPARTMENT.

PAVEMENT MARKING TAPE, TYPE III SHALL BE USED FOR SHORT TERM PAVEMENT MARKINGS ON ALL FINAL SURFACES. THE COST OF THE PAVEMENT MARKING TAPE, TYPE III AND ITS REMOVAL SHALL BE INCLUDED IN THE COST OF SHORT TERM PAVEMENT MARKING.

THE CONTRACTOR SHALL CONTACT THE DISTRICT ONE TRAFFIC CONTROL SUPERVISOR AT (847) 705-4470. A MINIMUM OF 72 HOURS IN ADVANCE OF BEGINING OF WORK.

ALL PAVEMENT PATCHING LOCATIONS WILL BE DETERMINED IN THE FIELD BY THE BY THE ENGINEER.

LOCATION OF COMBINATION CONCRETE CURB AND GUTTER REMOVAL AND COMBINATION CURB AND GUTTER (THE TYPE SPECIFIED ON THE PLANS), WILL BE DETERMINED IN THE FIELD BY THE BY THE ENGINEER.

DRAINAGE ADJUSTMENT OR RECONSTRUCTION LOCATIONS WILL BE DETERMINED IN THE FIELD BY THE ENGINEER.

IT SHALL BE THE CONTRACTOR'S RESPONSIBILITY TO VERIFY ALL DIMENSIONS AND CONDITIONS EXISITING IN THE FIELD PRIOR TO CONSTRUCTION AND ORDERING OF MATERIALS.

THE CONTRACTOR SHALL BE REQUIRED TO PROVIDE ACCESS TO ABUTTING PROPERTY ALL TIMES DURING THE CONSTRUCTION OF THIS PROJECT.

DO NOT SCALE PLANS FOR CONSTRUCTION DIMENSIONS.

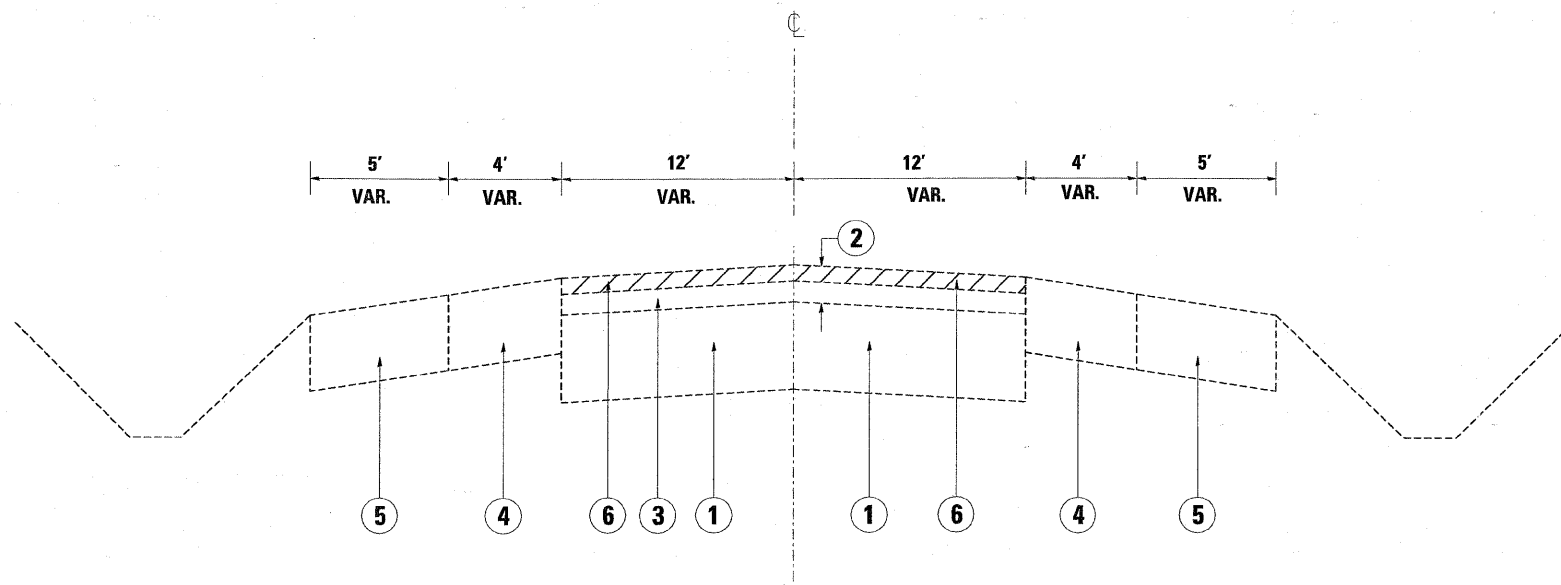
DOUBLE LANE MARKERS ARE TO BE USED AS SHOWN ON THE DISTRICT ONE DETAIL "TYPICAL APPLICATIONS - RAISED REFLECTIVE PAVEMENT MARKERS (SNOW-PLOW RESISTANT)" SHOWN IN THE PLANS.

FILE NAME =	USER NAME = estimablek	DESIGNED -	REVISED -	STATE OF ILLINOIS DEPARTMENT OF TRANSPORTATION	IL 173 (ROSECRANS RD.) [W.OF US 45 TO W.OF I-94 INDEX OF SHEET, STATE STANDARDS & GENERAL NOTES	F.A.P. RTE.	SECTION	COUNTY	TOTAL SHEETS	SHEET NO.	
c:\pwwork\pwwork\estimablek\0137945\DI	33509-shr-plan.dgn	DRAWN -	REVISED -			303	135 RS-3	LAKE	24	2	
	PLOT SCALE = 50.0000' / IN.	CHECKED -	REVISED -			CONTRACT NO. 60G79					
	PLOT DATE = 4/20/2009	DATE -	REVISED -			ILLINOIS FED. AID PROJECT					
					SCALE:	SHEET NO.	OF	SHEETS	STA.	TO STA.	

SUMMARY OF QUANTITIES				CONSTRUCTION TYPE CODE: I000-2A					SUMMARY OF QUANTITIES				CONSTRUCTION TYPE CODE: I000-2A				
CODE NO	ITEM	UNIT	TOTAL QUANTITIES	1000					CODE NO	ITEM	UNIT	TOTAL QUANTITIES	1000				
40600200	BITUMINOUS MATERIALS (PRIME COAT)	TON	44	44					* 78000600	THERMOPLASTIC PAVEMENT MARKING - LINE 12"	FOOT	460	460				
40600300	AGGREGATE (PRIME COAT)	TON	218	218					* 78000650	THERMOPLASTIC PAVEMENT MARKING - LINE 24"	FOOT	320	320				
40600400	MIXTURE FOR CRACKS, JOINTS, AND FLANGEWAYS	TON	17	17					* 78100100	RAISED REFLECTIVE PAVEMENT MARKER	EACH	265	265				
40600895	CONSTRUCTING TEST STRIP	EACH	2	2					78300200	RAISED REFLECTIVE PAVEMENT MARKER REMOVAL	EACH	175	175				
40600982	HOT-MIX ASPHALT SURFACE REMOVAL - BUTT JOINT	SO YD	177	177					* 88600600	DETECTOR LOOP REPLACEMENT	FOOT	600	600				
40603340	HOT-MIX ASPHALT SURFACE COURSE, MIX "D", N70	TON	4569	4569					X0322256	TEMPORARY INFORMATION SIGNING	SO FT	154.2	154.2				
42001300	PROTECTIVE COAT	SO YD	12	12					X4067107	POLYMERIZED LEVELING BINDER (MACHINE METHOD), IL-4.75, N50	TON	2142	2142				
44000158	HOT-MIX ASPHALT SURFACE REMOVAL, 2 1/4"	SO YD	54391	54391					XX002258	STRUCTURES TO BE ADJUSTED	EACH	1	1				
44001700	COMBINATION CONCRETE CURB AND GUTTER REMOVAL AND REPLACEMENT	FOOT	50	50					Z0018500	DRAINAGE STRUCTURES TO BE CLEANED	EACH	5	5				
44003100	MEDIAN REMOVAL	SO FT	2626	2626													
44003510	MEDIAN REMOVAL PARTIAL DEPTH	SO FT	6432	6432													
44201798	CLASS D PATCHES, TYPE I, 13 INCH	SO YD	100	100													
44201803	CLASS D PATCHES, TYPE II, 13 INCH	SO YD	1500	1500													
44201807	CLASS D PATCHES, TYPE III, 13 INCH	SO YD	100	100													
44201809	CLASS D PATCHES, TYPE IV, 13 INCH	SO YD	7000	7000													
55039700	STORM SEWERS TO BE CLEANED	FOOT	500	500													
60300310	FRAMES AND LIDS TO BE ADJUSTED (SPECIAL)	EACH	11	11													
60623800	CONCRETE BARRIER MEDIAN	SO FT	2626	2626													
67000400	ENGINEER'S FIELD OFFICE, TYPE A	CAL MO	6	6													
67100100	MOBILIZATION	L SUM	1	1													
70300100	SHORT-TERM PAVEMENT MARKING	FOOT	15750	15750													
70300210	TEMPORARY PAVEMENT MARKING - LETTERS AND SYMBOLS	SO FT	254.1	254.1													
70300220	TEMPORARY PAVEMENT MARKING - LINE 4"	FOOT	57487	57487													
70300240	TEMPORARY PAVEMENT MARKING - LINE 6"	FOOT	1365	1365													
70300260	TEMPORARY PAVEMENT MARKING - LINE 12"	FOOT	460	460													
70300280	TEMPORARY PAVEMENT MARKING - LINE 24"	FOOT	320	320													
* 78000100	THERMOPLASTIC PAVEMENT MARKING - LETTERS AND SYMBOLS	SO FT	254.1	254.1													
* 78000200	THERMOPLASTIC PAVEMENT MARKING - LINE 4"	FOOT	57487	57487													
* 78000400	THERMOPLASTIC PAVEMENT MARKING - LINE 6"	FOOT	1365	1365													

* Specialty Items

IL. 173 (ROSECRANS RD.)



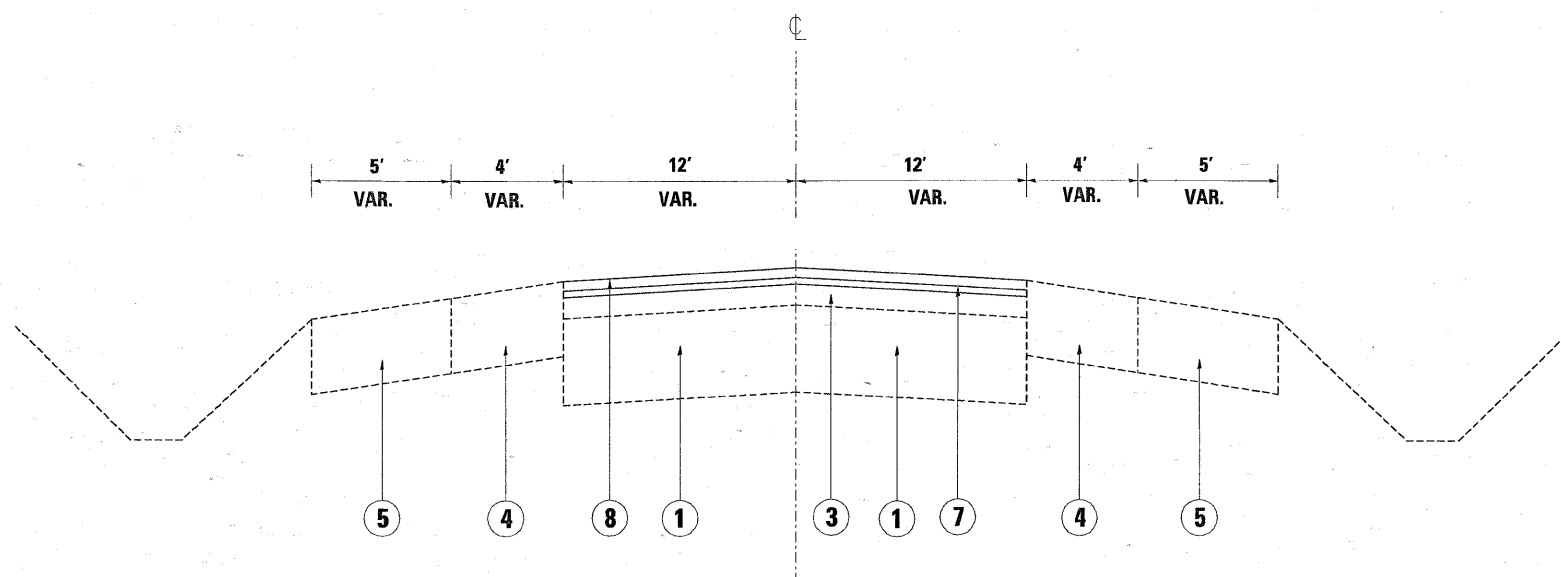
EXIST. TYPICAL SECTION

IL. 173

STA. 18+40 TO 19+52

STA. 31+66 TO 156+00

IL. 173 (ROSECRANS RD.)



EXIST. TYPICAL SECTION

IL. 173

STA. 18+40 TO 19+52

STA. 31+66 TO 156+00

LEGEND

- ① EXISTING PCC BASE COURSE, ± 10"
- ② TOTAL EXISTING HOT-MIX ASPHALT SURFACE COURSE, ± 5 1/4"
- ③ EXISTING HOT-MIX ASPHALT AFTER MILLING, ± 3"
- ④ EXISTING HOT-MIX ASPHALT SHOULDER
- ⑤ EXISTING AGGREGATE SHOULDER
- ⑥ PROP. HMA SURFACE REMOVAL, 2 1/4"
- ⑦ PROP. POLY. LEVELING BINDER (MACHINE METHOD), IL-4.75, N50, 3/4"
- ⑧ PROP. HOT-MIX ASPHALT SURFACE COURSE, MIX "D", N70, 1 1/2"

MIXTURE REQUIREMENTS

MIXTURE USES	AC TYPE	VOIDS
HOT-MIX ASPHALT SURFACE COURSE, MIX "D", N70 (IL 9.5 mm)	PG 64-22	4% AT 70 GYR.
POLY. LEVELING BINDER (MACHINE METHOD), IL-4.75, N50	SBS/SBR PG 76-28/-22	4% AT 50 GYR.
CLASS D PATCHES (HMA BINDER IL-19 mm)	PG 64-22 *	4% AT 70 GYR.

NOTE 1: THE UNIT WEIGHT USED TO CALCULATE ALL HOT-MIX ASPHALT SURFACE MIXTURE IS 112 LBS/SQ YD/IN

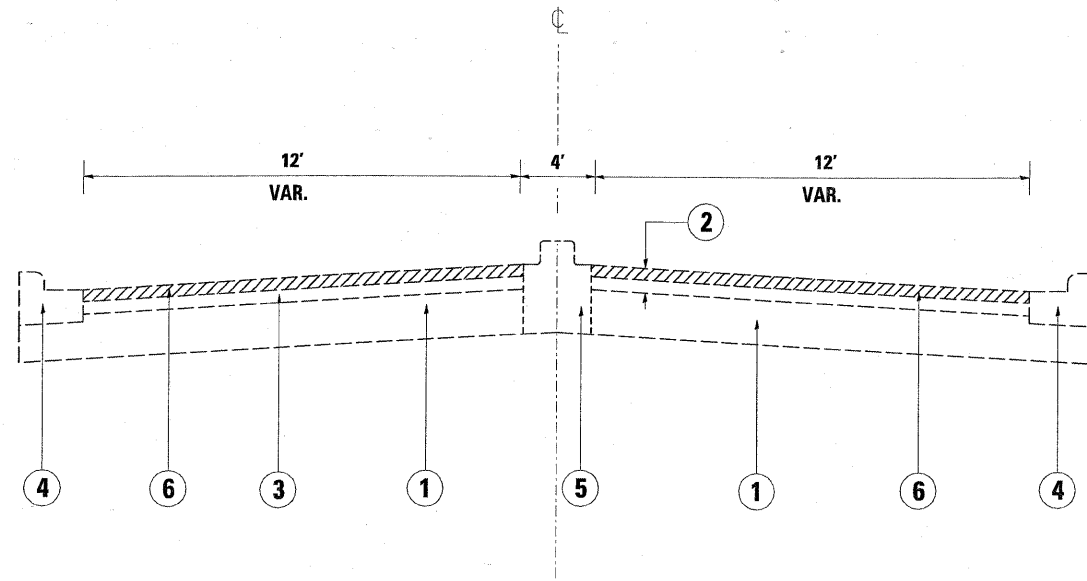
* NOTE 2: WHEN RAP EXCEEDS 20% THE NEW ASPHALT BINDER IN THE MIX SHALL BE PG 58-22

NOTE:

THE CONTRACTOR SHALL MILL FIRST BEFORE PATCHING

FILE NAME =	USER NAME = estmoblek	DESIGNED -	REVISED -	STATE OF ILLINOIS DEPARTMENT OF TRANSPORTATION	IL. 173 (ROSECRANS RD.) [W. OF US 45 TO W. OF I-94] EXISTING AND PROPOSED TYPICAL SECTIONS	F.A.P. RTE.	SECTION	COUNTY	TOTAL SHEETS	SHEET NO.	
ca:\pwwork\pwwork\estmoblek\d0137945\013509-shr-plot.dgn	PLOT SCALE = 50.0000' / IN.	DRAWN -	REVISED -			303	135 RS-3	LAKE	24	4	
PLOT DATE = 4/28/2009	DATE -	CHECKED -	REVISED -			CONTRACT NO. 60G79					
						SCALE:	SHEET NO.	OF	SHEETS	STA.	TO STA.

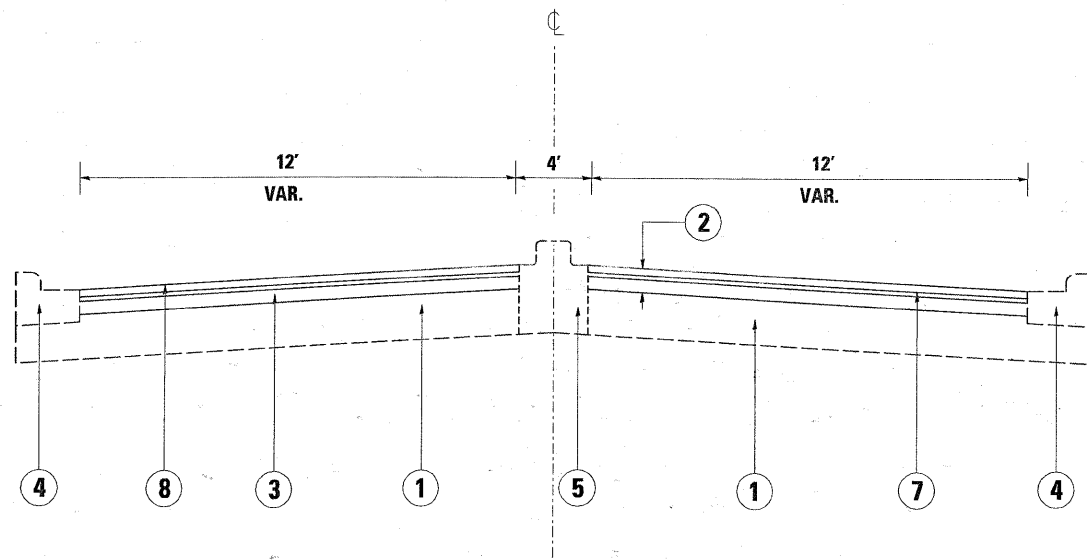
IL. 173 (ROSECRANS RD.)



EXIST. TYPICAL SECTION

IL. 173
STA. 24+15 TO 27+85

IL. 173 (ROSECRANS RD.)



EXIST. TYPICAL SECTION

IL. 173
STA. 24+15 TO 27+85

LEGEND

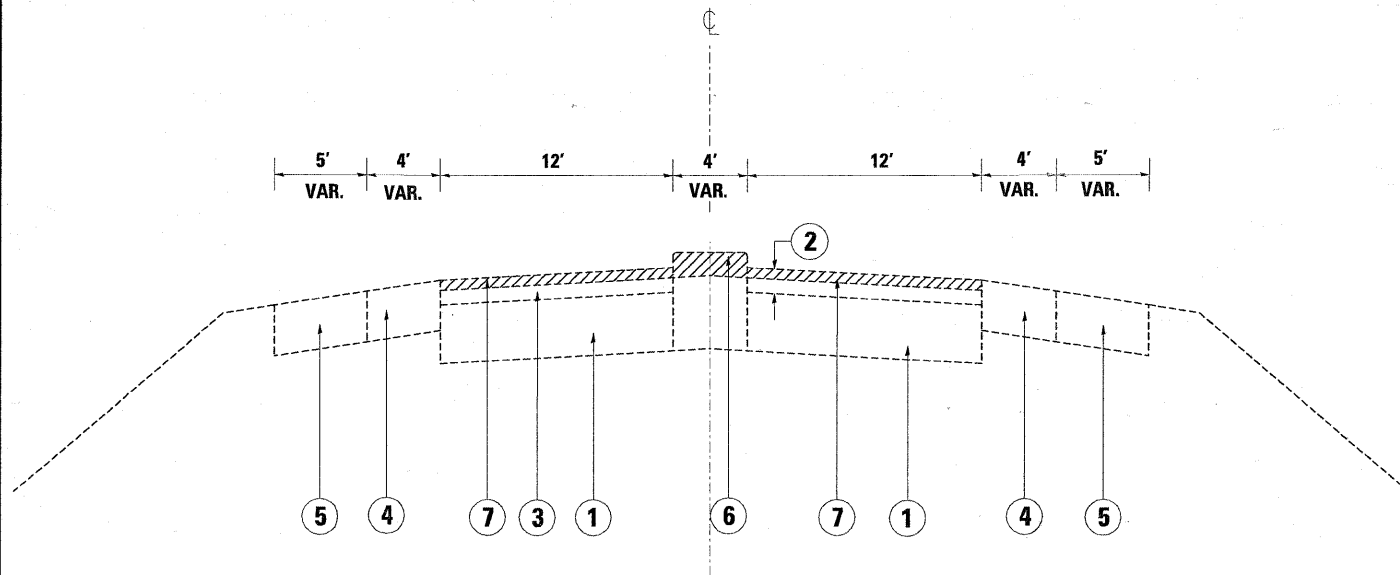
- ① EXISTING PCC BASE COURSE, ± 10"
- ② TOTAL EXISTING HOT-MIX ASPHALT SURFACE COURSE, ± 5 1/4"
- ③ EXISTING HOT-MIX ASPHALT AFTER MILLING, ± 3"
- ④ EXISTING COMB. CURB AND GUTTER
- ⑤ EXISTING CONCRETE MEDIAN
- ⑥ PROP. HMA SURFACE REMOVAL, 2 1/4"
- ⑦ PROP. POLY. LEVELING BINDER (MACHINE METHOD), IL-4.75, N50, 3/4"
- ⑧ PROP. HOT-MIX ASPHALT SURFACE COURSE, MIX "D", N70, 1 1/2"

NOTE:

THE CONTRACTOR SHALL MILL FIRST BEFORE PATCHING

FILE NAME =	USER NAME = estimablek	DESIGNED -	REVISED -	STATE OF ILLINOIS DEPARTMENT OF TRANSPORTATION	IL. 173 (ROSECRANS RD.) [W. OF US 45 TO W. OF I-94] EXISTING AND PROPOSED TYPICAL SECTIONS	F.A.P. RTE.	SECTION	COUNTY	TOTAL SHEETS	SHEET NO.		
cr:\pwork\pwork\estimablek\0137945\0133509-sht-plon.dgn	PLOT SCALE = 50.0000' / IN.	DRAWN -	REVISED -			303	135 RS-3	LAKE	24	5		
PLOT DATE = 4/20/2009	DATE -	CHECKED -	REVISED -			CONTRACT NO. 60C79						
						SCALE:	SHEET NO.	OF	SHEETS	STA.	TO STA.	FED. ROAD DIST. NO.

IL. 173 (ROSECRANS RD.)



EXIST. TYPICAL SECTION

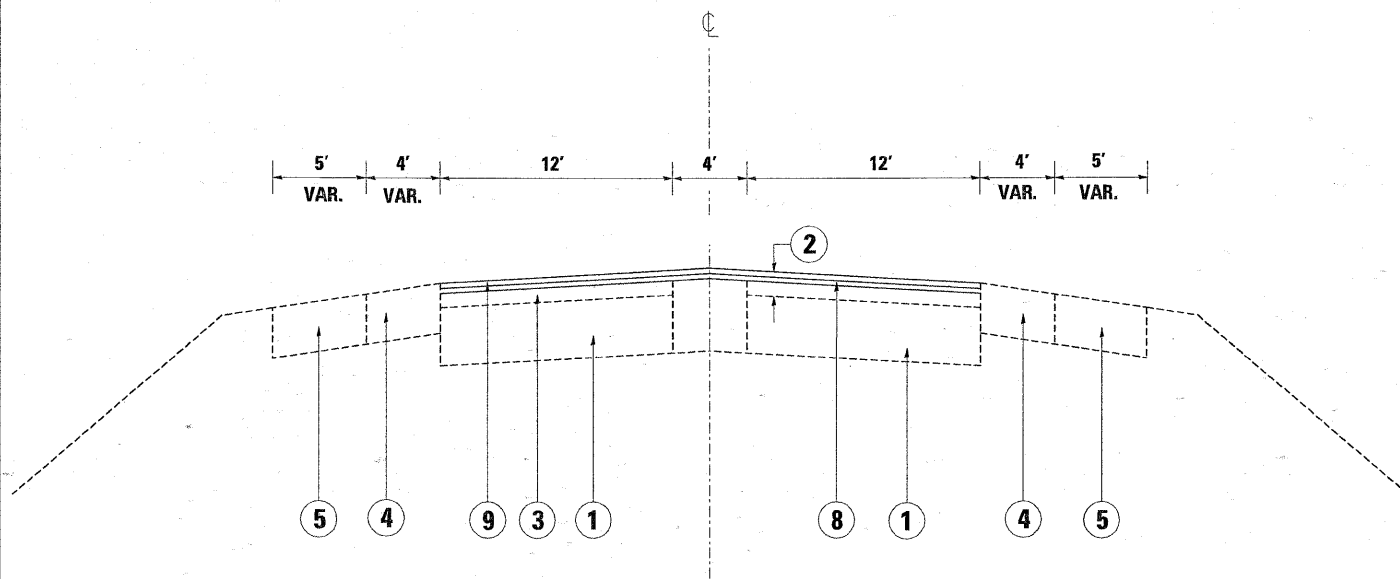
IL. 173

STA. 19+52 TO 24+15
 STA. 26+85 TO 31+60
 STA. 156+00 TO 158+26

LEGEND

- ① EXISTING PCC BASE COURSE, ± 10"
- ② TOTAL EXISTING HOT-MIX ASPHALT SURFACE COURSE, ± 5 1/4"
- ③ EXISTING HOT-MIX ASPHALT AFTER MILLING, ± 3"
- ④ EXISTING HOT-MIX ASPHALT SHOULDER
- ⑤ EXISTING AGGREGATE SHOULDER
- ⑥ PROP. CONCRETE MEDIAN REMOVAL, PARTIAL DEPTH
- ⑦ PROP. HMA SURFACE REMOVAL, 2 1/4"
- ⑧ PROP. POLY. LEVELING BINDER (MACHINE METHOD), IL-4.75, N50, 3/4"
- ⑨ PROP. HOT-MIX ASPHALT SURFACE COURSE, MIX "D", N70, 1 1/2"

IL. 173 (ROSECRANS RD.)



EXIST. TYPICAL SECTION

IL. 173

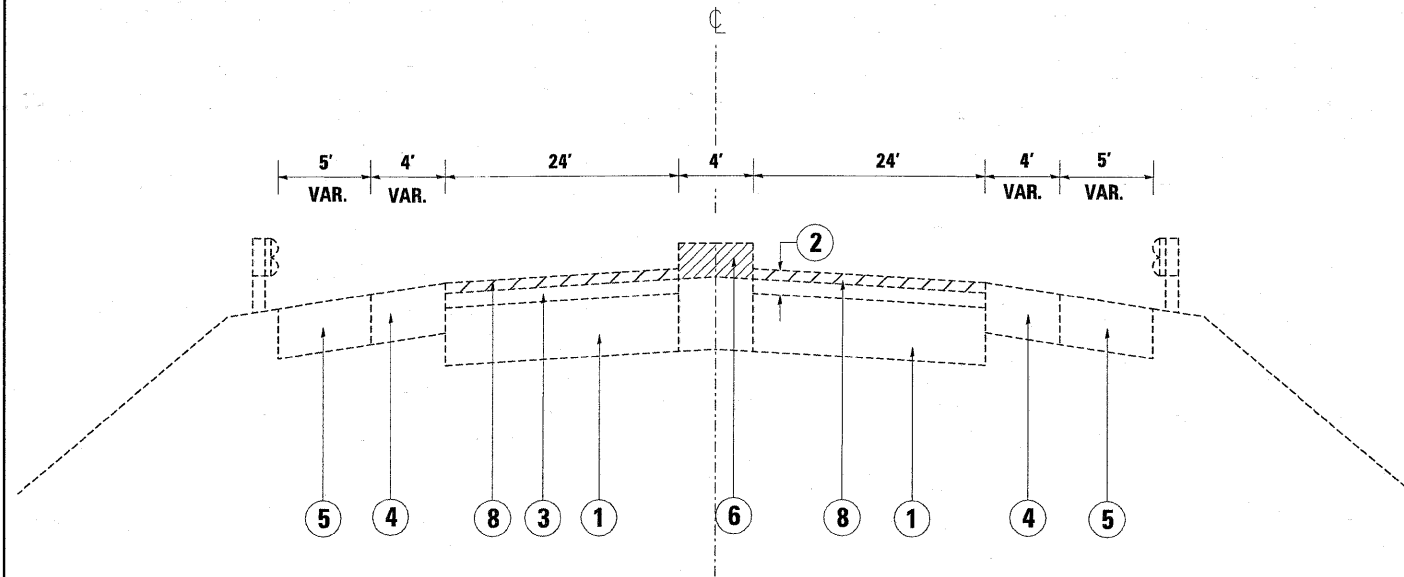
STA. 19+52 TO 24+15
 STA. 26+85 TO 31+60
 STA. 156+00 TO 158+26

NOTE:

THE CONTRACTOR SHALL MILL FIRST BEFORE PATCHING

FILE NAME =	USER NAME = estmoblek	DESIGNED -	REVISED -	STATE OF ILLINOIS DEPARTMENT OF TRANSPORTATION	IL. 173 (ROSECRANS RD.) [W. OF US 45 TO W. OF I-94] EXISTING AND PROPOSED TYPICAL SECTIONS	F.A.P. RTE.	SECTION	COUNTY	TOTAL SHEETS	SHEET NO.	
cr\pe_work\p\p\dat\estmoblek\08137945\01535079-shr-plan.dgn	PLOT SCALE = 50.0000' / IN.	DRAWN -	REVISED -			303	135 RS-3	LAKE	24	6	
PLOT DATE = 4/28/2009	DATE -	CHECKED -	REVISED -			CONTRACT NO. 60G79					
						SCALE:	SHEET NO. OF SHEETS	STA. TO STA.	FED. ROAD DIST. NO.	ILLINOIS FED. AID PROJECT	

IL. 173 (ROSECRANS RD.)



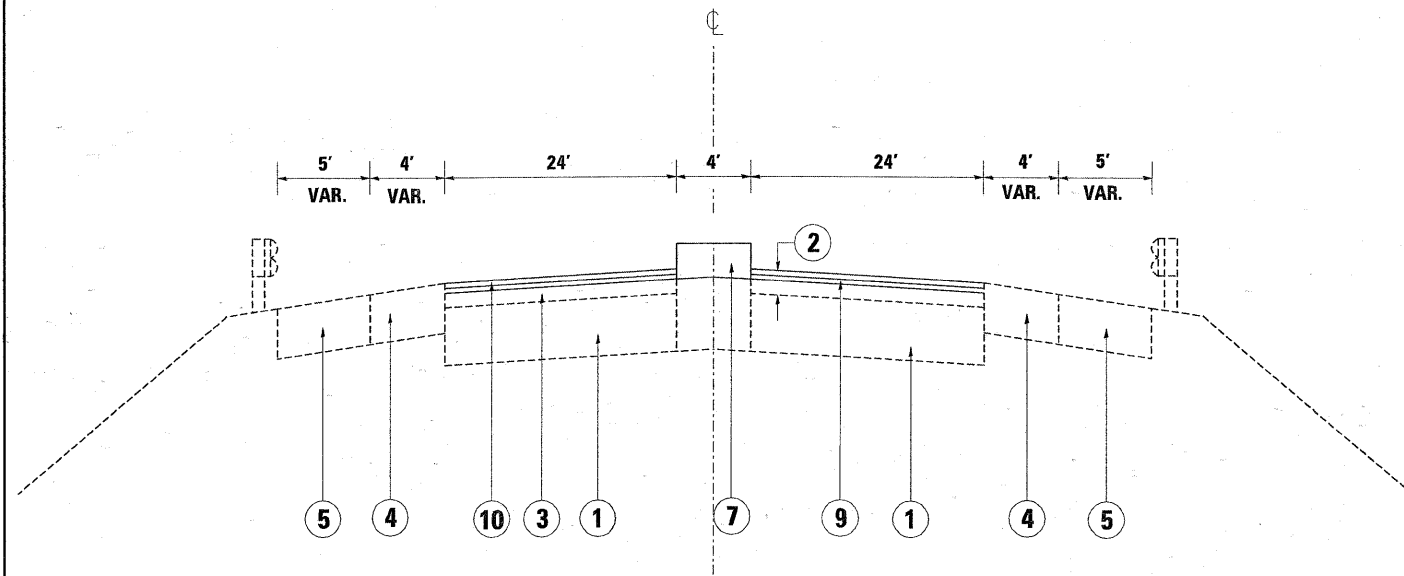
EXIST. TYPICAL SECTION

IL. 173
STA. 158+26 TO 165+22

LEGEND

- ① EXISTING PCC BASE COURSE, ± 10"
- ② TOTAL EXISTING HOT-MIX ASPHALT SURFACE COURSE, ± 5 1/4"
- ③ EXISTING HOT-MIX ASPHALT AFTER MILLING, ± 3"
- ④ EXISTING HOT-MIX ASPHALT SHOULDER
- ⑤ EXISTING AGGREGATE SHOULDER
- ⑥ PROP. BARRIER REMOVAL
- ⑦ PROP. BARRIER REPLACEMENT
- ⑧ PROP. HMA SURFACE REMOVAL, 2 1/4"
- ⑨ PROP. POLY. LEVELING BINDER (MACHINE METHOD), IL-4.75, N50, 3/4"
- ⑩ PROP. HOT-MIX ASPHALT SURFACE COURSE, MIX "D", N70, 1 1/2"

IL. 173 (ROSECRANS RD.)



EXIST. TYPICAL SECTION

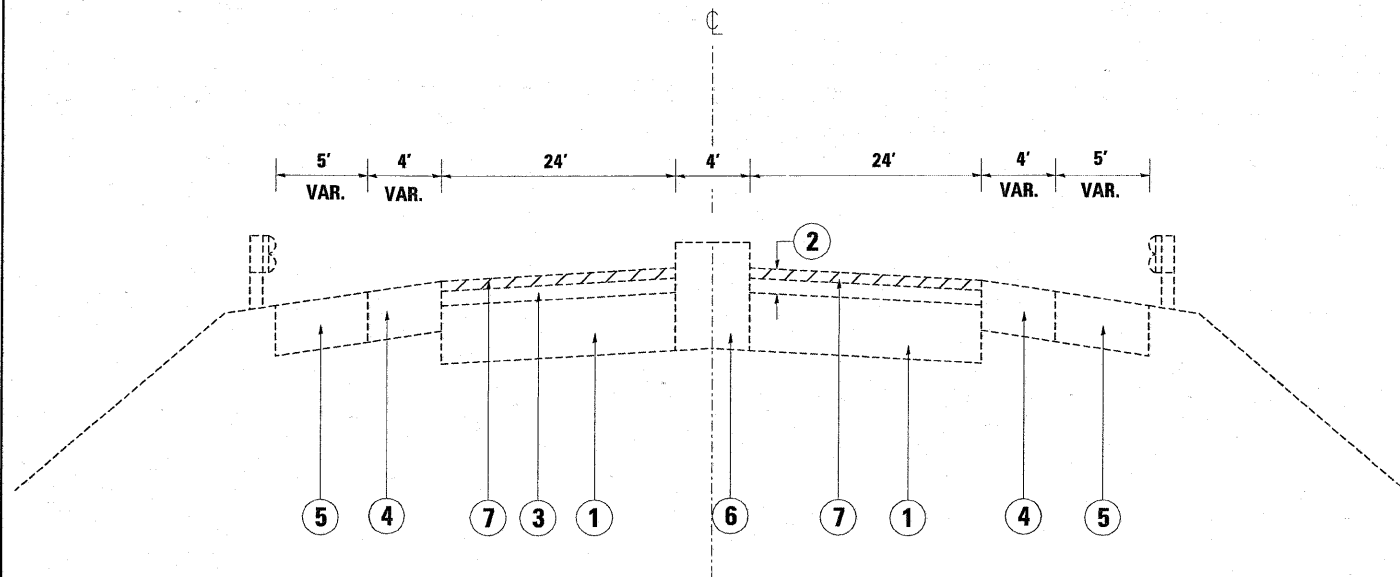
IL. 173
STA. 158+26 TO 165+22

NOTE:

THE CONTRACTOR SHALL MILL FIRST BEFORE PATCHING

FILE NAME =	USER NAME = estmablek	DESIGNED -	REVISED -	STATE OF ILLINOIS DEPARTMENT OF TRANSPORTATION	IL. 173 (ROSECRANS RD.) [W. OF US 45 TO W. OF I-94] EXISTING AND PROPOSED TYPICAL SECTIONS	F.A.P. RTE.	SECTION	COUNTY	TOTAL SHEETS	SHEET NO.	
c:\pw_work\pwrtdot\estmablek\d0137945\0153509-shs-plan.dgn	PLOT SCALE = 50.0000' / IN.	DRAWN -	REVISED -			303	135 RS-3	LAKE	24	7	
PLOT DATE = 4/20/2009	DATE -	CHECKED -	REVISED -			CONTRACT NO. 60C79					
						SCALE:	SHEET NO. OF SHEETS	STA. TO STA.	FED. ROAD DIST. NO.	ILLINOIS FED. AID PROJECT	

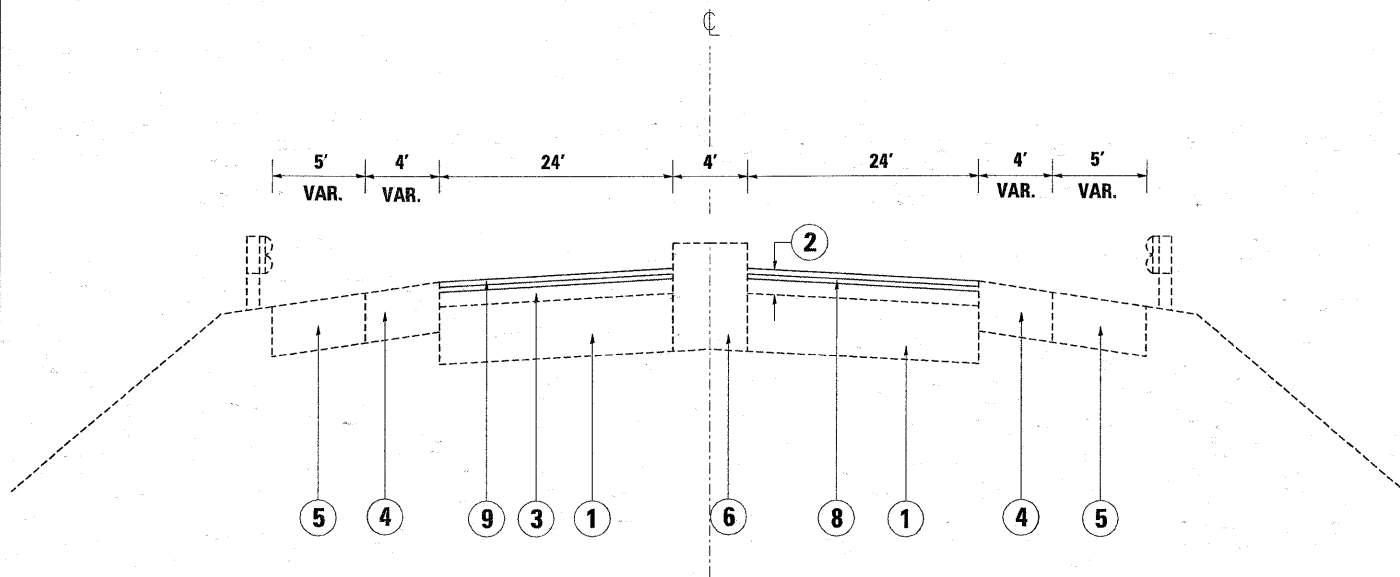
IL. 173 (ROSECRANS RD.)



EXIST. TYPICAL SECTION

IL. 173
STA. 165+86 TO 169+13

IL. 173 (ROSECRANS RD.)



EXIST. TYPICAL SECTION

IL. 173
STA. 165+86 TO 169+13

LEGEND

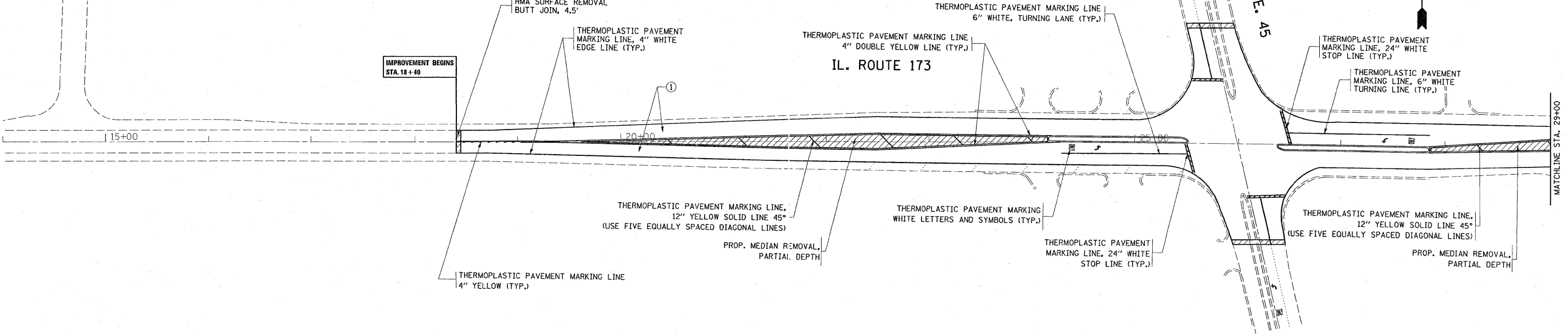
- ① EXISTING PCC BASE COURSE, ± 10"
- ② TOTAL EXISTING HOT-MIX ASPHALT SURFACE COURSE, ± 5 1/4"
- ③ EXISTING HOT-MIX ASPHALT AFTER MILLING, ± 3"
- ④ EXISTING HOT-MIX ASPHALT SHOULDER
- ⑤ EXISTING AGGREGATE SHOULDER
- ⑥ EXISTING BARRIER MEDIAN
- ⑦ PROP. HMA SURFACE REMOVAL, 2 1/4"
- ⑧ PROP. POLY. LEVELING BINDER (MACHINE METHOD), IL-4.75, N50, 3/4"
- ⑨ PROP. HOT-MIX ASPHALT SURFACE COURSE, MIX "D", N70, 1 1/2"

NOTE:

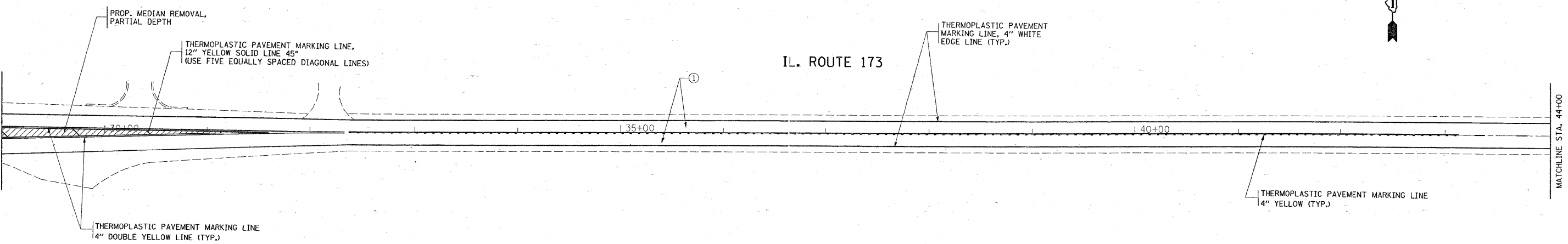
THE CONTRACTOR SHALL MILL FIRST BEFORE PATCHING

FILE NAME =	USER NAME = estimoblek	DESIGNED -	REVISED -	STATE OF ILLINOIS DEPARTMENT OF TRANSPORTATION	IL. 173 (ROSECRANS RD.) [W. OF US 45 TO W. OF I-94] EXISTING AND PROPOSED TYPICAL SECTIONS	F.A.P. RTE.	SECTION	COUNTY	TOTAL SHEETS	SHEET NO.
ca:\pwwork\pwwork\estimoblek\d0137945\013509-shr-plan.dgn	PLOT SCALE = 50,0000' / IN.	DRAWN -	REVISED -			303	135 RS-3	LAKE	24	8
PLOT DATE = 4/20/2009	DATE -	CHECKED -	REVISED -			CONTRACT NO. 60G79				
						SCALE:	SHEET NO. OF SHEETS	STA. TO STA.	FED. ROAD DIST. NO.	ILLINOIS FED. AID PROJECT

N. PEDERSON DR.



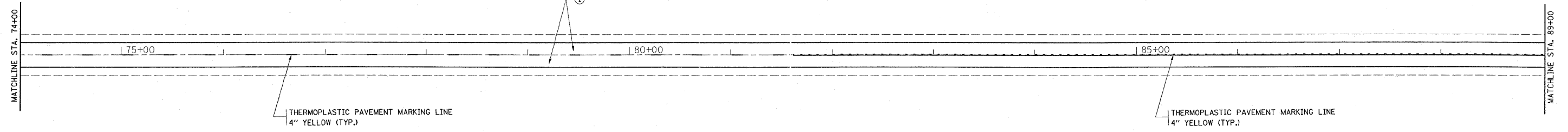
① PROP. HMA SURFACE REMOVAL, 2 1/4"
 PROP. HMA SURFACE COURSE, MIX "D", N70, 1 1/2"
 PROP. POLY. LEVELING BINDER (MACHINE METHOD), IL-4.75, N50, 3/4"



① PROP. HMA SURFACE REMOVAL, 2 1/4"
 PROP. HMA SURFACE COURSE, MIX "D", N70, 1 1/2"
 PROP. POLY. LEVELING BINDER (MACHINE METHOD), IL-4.75, N50, 3/4"

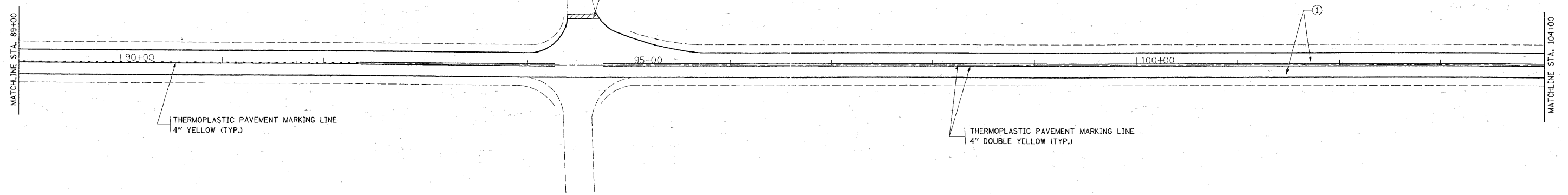
FILE NAME =	USER NAME = estumablek	DESIGNED -	REVISED -	STATE OF ILLINOIS DEPARTMENT OF TRANSPORTATION	ROADWAY AND PAVEMENT MARKING PLAN IL. RTE. 173 (w/o US RTE 45 - w/o I-94)			F.A.P. RTE. 303	SECTION 135 RS-3	COUNTY LAKE	TOTAL SHEETS 24	SHEET NO. 9
cr:\pwork\p1dot\estumablek\d0137945\01	33509-sht-plan.dgn	DRAWN -	REVISED -		SCALE: 1"=50'	SHEET NO.	OF SHEETS	STA.	TO STA.	CONTRACT NO. 11592		
	PLOT SCALE = 50.00000 ' / IN.	CHECKED -	REVISED -							ILLINOIS FED. AID PROJECT		
	PLOT DATE = 4/28/2009	DATE -	REVISED -									

IL. ROUTE 173



① PROP. HMA SURFACE REMOVAL, 2 1/4"
 PROP. HMA SURFACE COURSE, MIX "D", N70, 1 1/2"
 PROP. POLY. LEVELING BINDER (MACHINE METHOD), IL-4.75, N50, 3/4"

IL. ROUTE 173

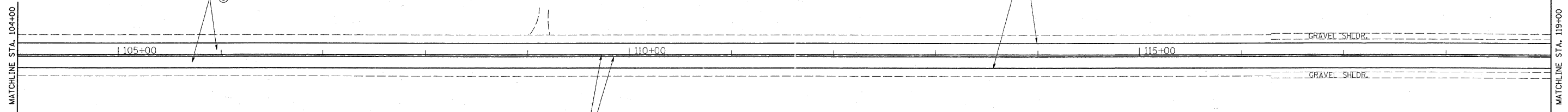


① PROP. HMA SURFACE REMOVAL, 2 1/4"
 PROP. HMA SURFACE COURSE, MIX "D", N70, 1 1/2"
 PROP. POLY. LEVELING BINDER (MACHINE METHOD), IL-4.75, N50, 3/4"

FILE NAME =	USER NAME = estmablek	DESIGNED -	REVISED -	STATE OF ILLINOIS DEPARTMENT OF TRANSPORTATION	ROADWAY AND PAVEMENT MARKING PLAN			F.A.P. RTE.	SECTION	COUNTY	TOTAL SHEETS	SHEET NO.
c:\pw_work\pw\dot\estmablek\d0137945\01535091-sht-plan.dgn		DRAWN -	REVISED -		IL. RTE. 173 (w/o US RTE 45 - w/o I-94)			303	135 RS-3	LAKE	24	11
PLOT SCALE = 50.0000' / IN.		CHECKED -	REVISED -		SCALE: 1"=50'	SHEET NO.	OF SHEETS	STA.	TO STA.	CONTRACT NO. 11592		
PLOT DATE = 4/20/2009		DATE -	REVISED -		ILLINOIS FED. AID PROJECT							

IL. ROUTE 173

THERMOPLASTIC PAVEMENT MARKING LINE, 4" WHITE EDGE LINE (TYP.)

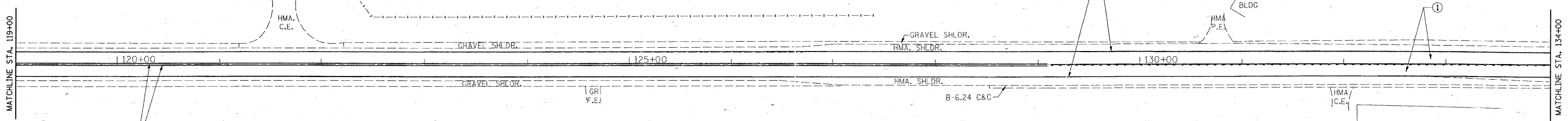
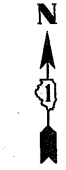


THERMOPLASTIC PAVEMENT MARKING LINE
4" DOUBLE YELLOW (TYP.)

- ① PROP. HMA SURFACE REMOVAL, 2 1/4"
- PROP. HMA SURFACE COURSE, MIX "D", N70, 1 1/2"
- PROP. POLY. LEVELING BINDER (MACHINE METHOD), IL-4.75, N50, 3/4"

IL. ROUTE 173

THERMOPLASTIC PAVEMENT MARKING LINE, 4" WHITE EDGE LINE (TYP.)



THERMOPLASTIC PAVEMENT MARKING LINE
4" DOUBLE YELLOW (TYP.)

- ① PROP. HMA SURFACE REMOVAL, 2 1/4"
- PROP. HMA SURFACE COURSE, MIX "D", N70, 1 1/2"
- PROP. POLY. LEVELING BINDER (MACHINE METHOD), IL-4.75, N50, 3/4"

FILE NAME =
c:\pwork\pwork\estmablek\d8137945\01

USER NAME = estmablek
3509-shr-plan.dgn
PLOT SCALE = 50,0000' / IN.
PLOT DATE = 4/20/2009

DESIGNED -
DRAWN -
CHECKED -
DATE -

REVISED -
REVISED -
REVISED -
REVISED -

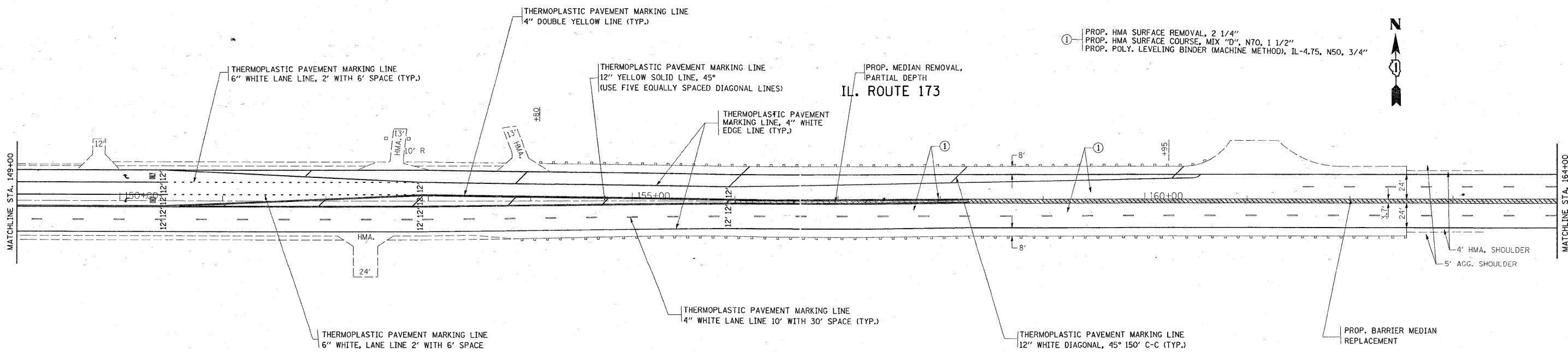
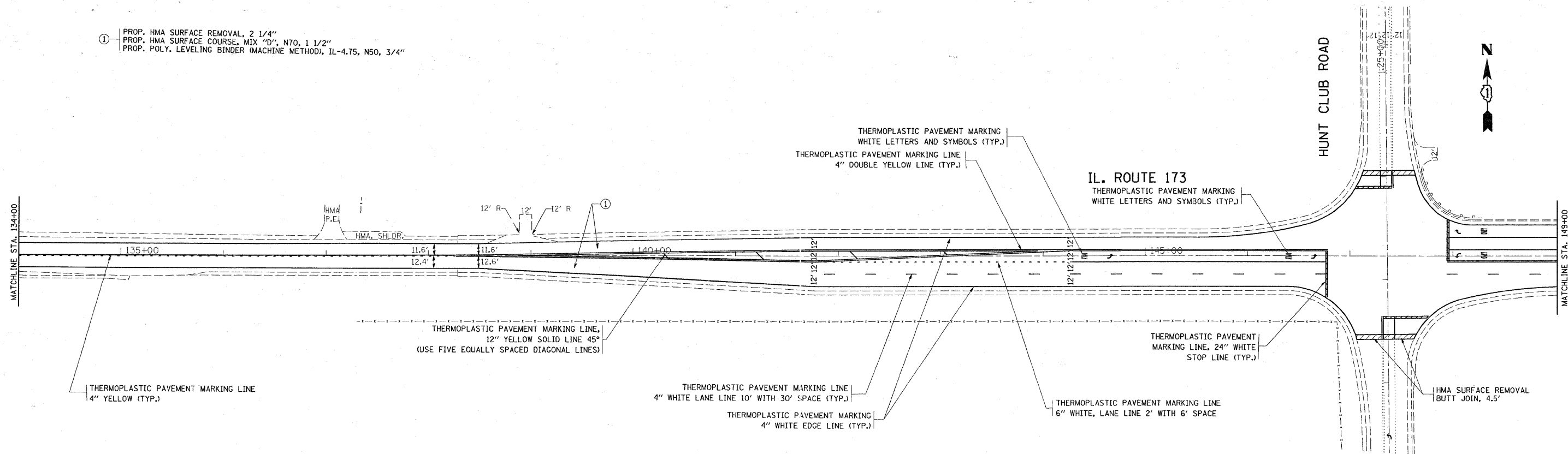
STATE OF ILLINOIS
DEPARTMENT OF TRANSPORTATION

ROADWAY AND PAVEMENT MARKING PLAN
IL. RTE. 173 (w/o US RTE 45 - w/o I-94)

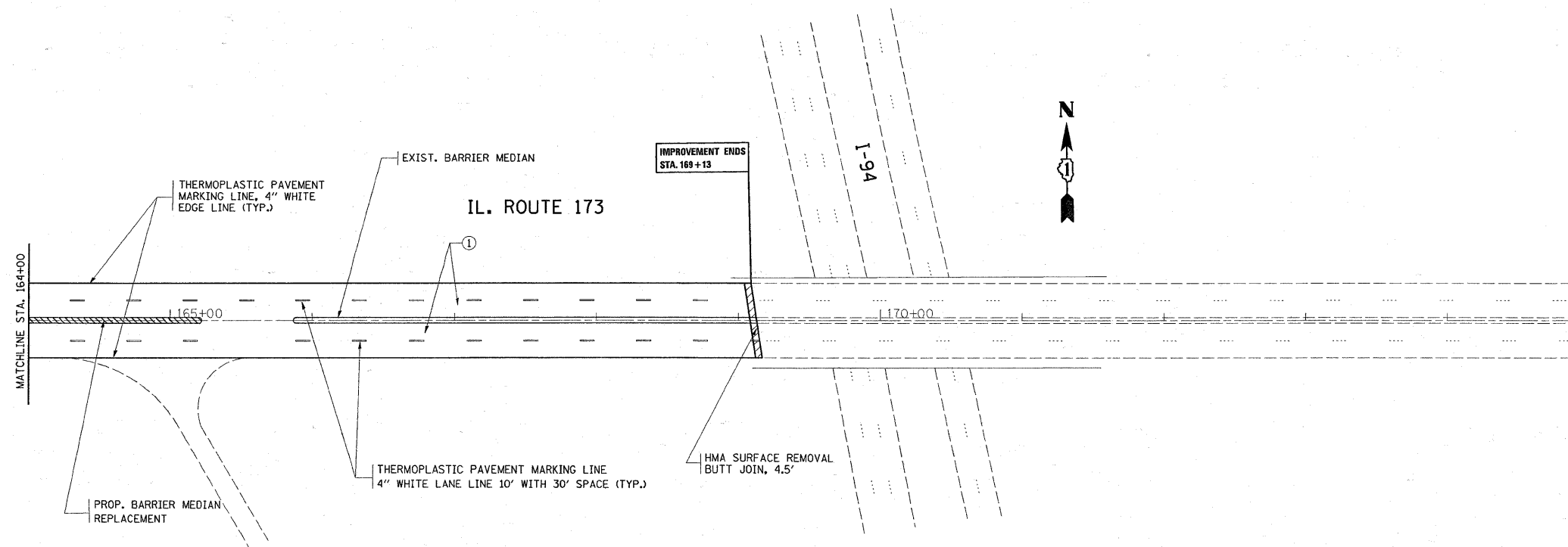
SCALE: 1"=50' SHEET NO. OF SHEETS STA. TO STA.

F.A.P. RTE. 303	SECTION 135 RS-3	COUNTY LAKE	TOTAL SHEETS 24	SHEET NO. 12
CONTRACT NO. 11592				
ILLINOIS FED. AID PROJECT				

- ① PROP. HMA SURFACE REMOVAL, 2 1/4"
- PROP. HMA SURFACE COURSE, MIX "D", N70, 1 1/2"
- PROP. POLY. LEVELING BINDER (MACHINE METHOD), IL-4.75, N50, 3/4"

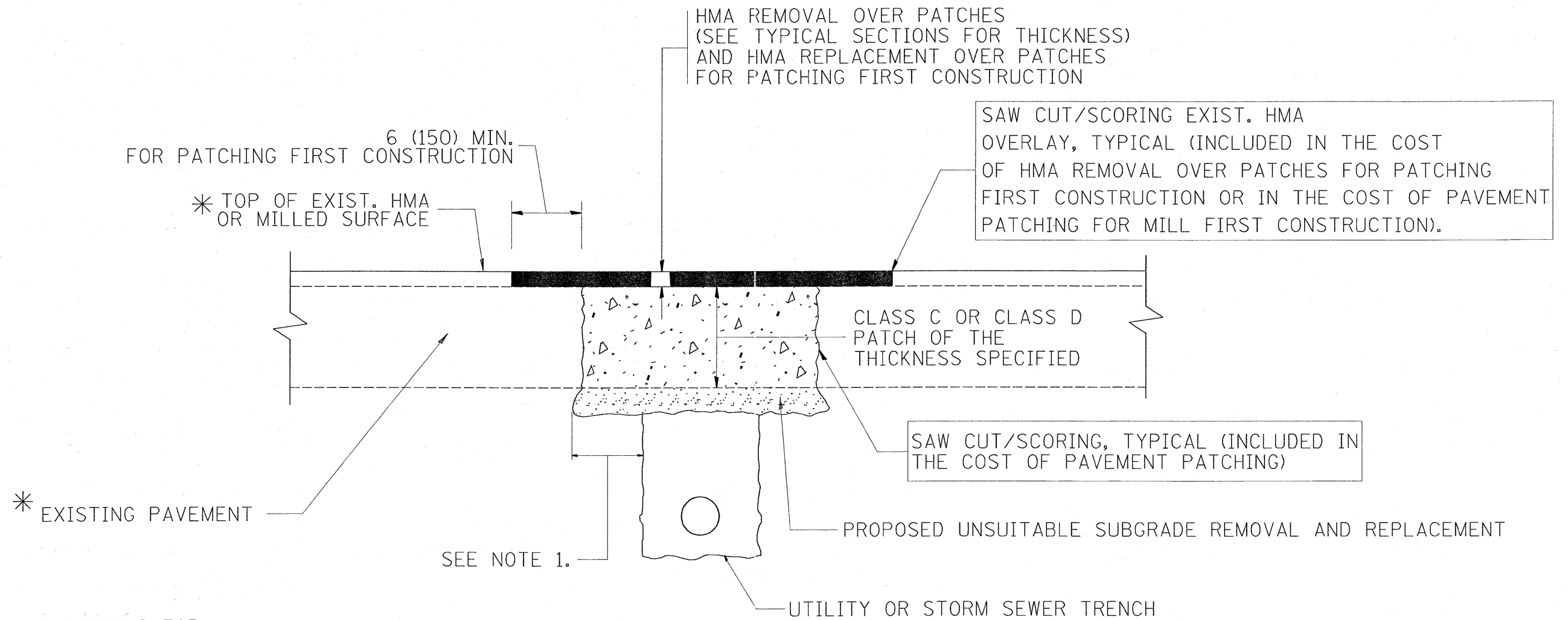


FILE NAME =	USER NAME = estimoblek	DESIGNED -	REVISED -	STATE OF ILLINOIS DEPARTMENT OF TRANSPORTATION	ROADWAY AND PAVEMENT MARKING PLAN IL. RTE. 173 (w/o US RTE 45 - w/o I-94)				F.A.P. RTE.	SECTION	COUNTY	TOTAL SHEETS	SHEET NO.
c:\pwwork\pwwork\estimoblek\d0137945\d013509-sht-plan.dgn		DRAWN -	REVISED -		SCALE: 1"=50'	SHEET NO.	OF	SHEETS	STA.	TO STA.	LAKE	24	13
	PLOT SCALE = 50.0000' / IN.	CHECKED -	REVISED -								CONTRACT NO. 11592		
	PLOT DATE = 4/20/2009	DATE -	REVISED -								ILLINOIS FED. AID PROJECT		



- ① PROP. HMA SURFACE REMOVAL, 2 1/4"
- PROP. HMA SURFACE COURSE, MIX "D", N70, 1 1/2"
- PROP. POLY. LEVELING BINDER (MACHINE METHOD), IL-4.75, N50, 3/4"

FILE NAME =	USER NAME = estumoblek	DESIGNED -	REVISED -	STATE OF ILLINOIS DEPARTMENT OF TRANSPORTATION	ROADWAY AND PAVEMENT MARKING PLAN IL. RTE. 173 (w/o US RTE 45 - w/o I-94)			F.A.P. RTE.	SECTION	COUNTY	TOTAL SHEETS	SHEET NO.
ca:\pw\work\pwr\dot\estumoblek\0137945\0133509-shr-pln.dgn	PLOT SCALE = 50.0000' / IN.	DRAWN -	REVISED -					303	135 RS-3	LAKE	24	14
PLOT DATE = 4/20/2009	DATE -	CHECKED -	REVISED -		SCALE: 1"=50' SHEET NO. OF SHEETS STA. TO STA.			CONTRACT NO. 11592				
					ILLINOIS FED. AID PROJECT							



* SEE TYPICAL SECTIONS FOR THICKNESS AND MATERIALS

NOTES:

1. THE WIDTH OF THE FULL DEPTH PATCH OVER A TRENCH SHALL BE 12 (300) WIDER ON EACH SIDE OF THE TRENCH.
2. FOR METHOD OF MEASUREMENT AND BASIS OF PAYMENT, SEE RECURRING SPECIAL PROVISION "PATCHING WITH HOT-MIX ASPHALT OVERLAY REMOVAL".

SEQUENCE OF CONSTRUCTION (PATCHING FIRST)

1. REMOVE THE EXISTING HMA MATERIAL OVER THE AREA TO BE PATCHED.
2. REMOVE AND REPLACE WITH CLASS C OR D PATCH.
3. REPLACE HMA MATERIAL OVER THE AREA TO BE PATCHED.

SEQUENCE OF CONSTRUCTION (MILLING FIRST)

1. MILL HMA FIRST IF THERE IS AT LEAST 4 1/2 INCHES OR MORE OF HMA MATERIAL ON TOP OF THE EXISTING PAVEMENT OR IF THE PAVEMENT IS FULL DEPTH HMA. A MINIMUM OF 2 INCHES OF HMA MATERIAL SHALL BE IN PLACE AFTER MILLING.
2. REMOVE AND REPLACE WITH FULL DEPTH CLASS D PATCHES TO TOP OF MILLED SURFACE.

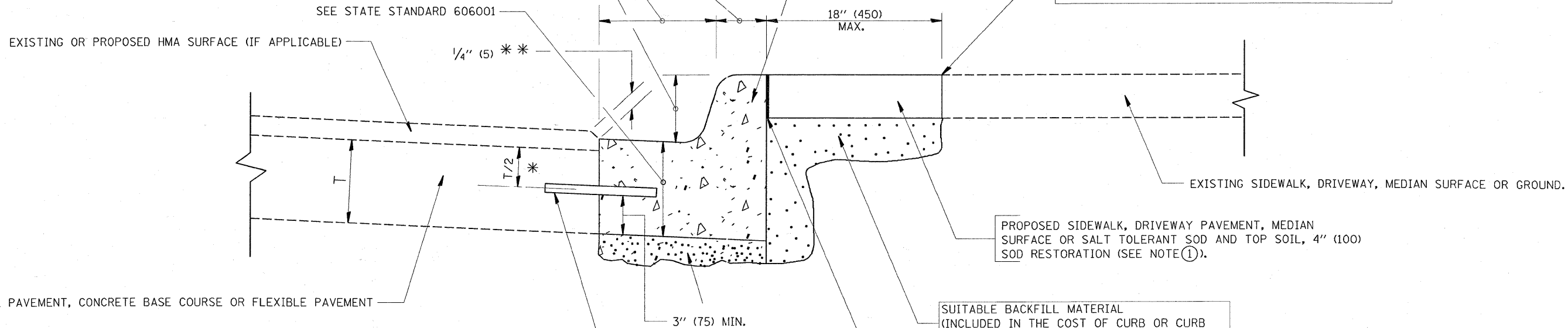
ALL DIMENSIONS ARE IN INCHES (MILLIMETERS) UNLESS OTHERWISE SHOWN.

FILE NAME =	USER NAME = estmablek	DESIGNED - R. SHAH	REVISED - A. ABBAS 04-27-98	STATE OF ILLINOIS DEPARTMENT OF TRANSPORTATION	PAVEMENT PATCHING FOR HMA SURFACED PAVEMENT			F.A.P. RTE. 303	SECTION 303	COUNTY LAKE	TOTAL SHEETS 24	SHEET NO. 15
cd:\p\work\p\WIDOT\ESTIMABLEK\0137945\01st5td.dgn		DRAWN -	REVISED - R. BORO 01-01-07		SCALE: NONE	SHEET NO. 1 OF 1 SHEETS	STA. TO STA.	BD400-04 (BD-22)		CONTRACT NO. 60679		
	PLOT SCALE = 50.0000' / IN.	CHECKED -	REVISED - R. BORO 09-04-07		FED. ROAD DIST. NO. 1 ILLINOIS FED. AID PROJECT							
	PLOT DATE = 4/20/2009	DATE - 10-25-94	REVISED - K. ENG 10-27-08									

VARIABLE - TO MEET EXISTING DIMENSIONS AND FIELD CONDITIONS (SEE NOTE ②)

PROP. CONC. CURB OR CURB AND GUTTER REPLACEMENT IN ACCORDANCE WITH STATE STANDARD 606001. (SEE NOTE ②)

SAW CUT FULL DEPTH - INCLUDED IN THE COST OF SIDEWALK, DRIVEWAY OR MEDIAN SURFACE REMOVAL PAY ITEM.



* 3" (75) MINIMUM FROM TOP AND BOTTOM OF THE CONCRETE PAVEMENT OR BASE COURSE.

** IF THE FINAL SURFACE OF THE PAVEMENT IS CONCRETE, THE GUTTER IS TO BE FLUSH WITH THE PAVEMENT.

NOTE: ① SIDEWALK, DRIVEWAY PAVEMENT OR MEDIAN SURFACE SHALL BE SIMILAR TO THE MATERIAL BEING REMOVED AND WILL BE PAID FOR SEPARATELY.

SALT TOLERANT SOD AND TOP SOIL, 4" (100) RESTORATION WILL NOT BE PAID FOR SEPARATELY, BUT SHALL BE INCLUDED IN THE COST OF CURB OR CURB AND GUTTER REMOVAL AND REPLACEMENT.

② CURB OR CURB AND GUTTER REPLACEMENT SHALL MATCH THE SHAPE OF THE EXISTING CURB OR CURB AND GUTTER UNLESS OTHERWISE SPECIFIED.

③ FOR CURB OR CURB AND GUTTER REMOVAL AND REPLACEMENT ADJACENT TO FLEXIBLE PAVEMENT DELETE EPOXY COATED TIE BARS.

④ LONGITUDINAL BARS, IF ENCOUNTERED IN THE EXISTING CURB OR CURB AND GUTTER, ARE NOT TO BE REPLACED. CUTTING AND REMOVING LONGITUDINAL BARS SHALL BE INCLUDED IN THE COST OF CURB OR CURB AND GUTTER REMOVAL AND REPLACEMENT.

⑤ THE COST OF HMA SURFACE REMOVAL IN THE EXISTING GUTTER FLAG SHALL BE INCLUDED IN THE COST OF THE CURB AND GUTTER REMOVAL AND REPLACEMENT.

⑥ THE REMOVAL AND REPLACEMENT OF THE EXISTING CURB OR CURB AND GUTTER SHALL BE DONE IN ACCORDANCE WITH THE APPLICABLE PORTIONS OF SECTION 440 AND 606 OF THE STANDARD SPECIFICATIONS.

⑦ THE LOCATIONS OF REMOVAL AND REPLACEMENT OF EXISTING CURB OR CURB AND GUTTER SHALL BE DETERMINED BY THE RESIDENT ENGINEER AT THE TIME OF CONSTRUCTION.

SUITABLE BACKFILL MATERIAL (INCLUDED IN THE COST OF CURB OR CURB AND GUTTER REMOVAL AND REPLACEMENT)

PROPOSED 3/4" (20) PREFORMED EXPANSION JOINT AT CONCRETE SIDEWALKS, DRIVEWAYS, AND MEDIANS. (INCLUDED IN THE COST OF CURB OR CURB AND GUTTER REMOVAL AND REPLACEMENT.)

UNSUITABLE SUB-BASE MATERIAL TO BE REMOVED, IF DIRECTED BY THE ENGINEER, SHALL BE REPLACED WITH EITHER SUB-BASE GRANULAR MATERIAL, TYPE B OR ADDITIONAL THICKNESS OF CONCRETE.

REMOVAL AND REPLACEMENT 4" (100) OR LESS IS INCLUDED IN THE COST OF CURB OR CURB AND GUTTER REMOVAL AND REPLACEMENT.

REMOVAL AND REPLACEMENT IN EXCESS OF 4" (100) WILL BE PAID FOR IN ACCORDANCE WITH ARTICLE 109.04 OF THE STANDARD SPECIFICATIONS.

PROPOSED #6 (20) EPOXY COATED TIE BARS 24" (600) LONG AT 24" (600) CENTERS WILL NOT BE PAID FOR SEPARATELY. DELETE EPOXY COATED TIE BARS IF EXISTING TIE BARS ARE USUABLE AS DETERMINED BY THE ENGINEER. (SEE NOTE ③).

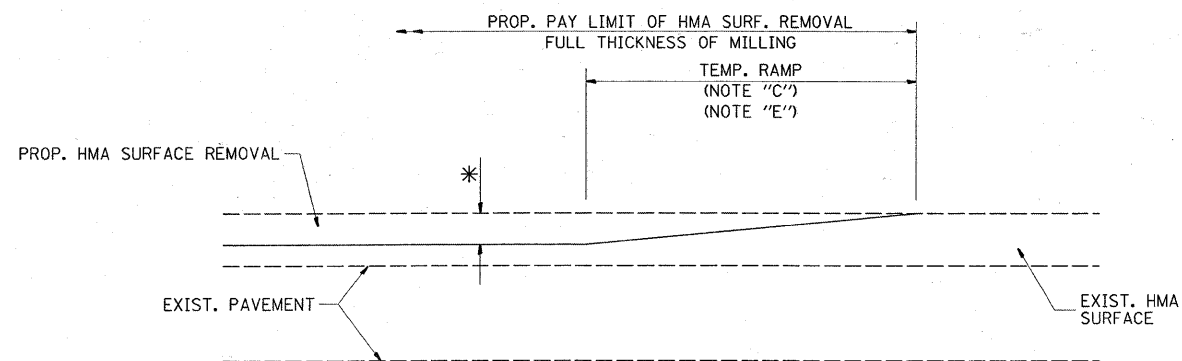
BASIS OF PAYMENT:

THIS WORK WILL BE PAID FOR AT THE CONTRACT UNIT PRICE PER FOOT (METER) FOR "CURB REMOVAL AND REPLACEMENT" OR "COMBINATION CONCRETE CURB AND GUTTER REMOVAL AND REPLACEMENT".

CURB OR CURB AND GUTTER REMOVAL AND REPLACEMENT

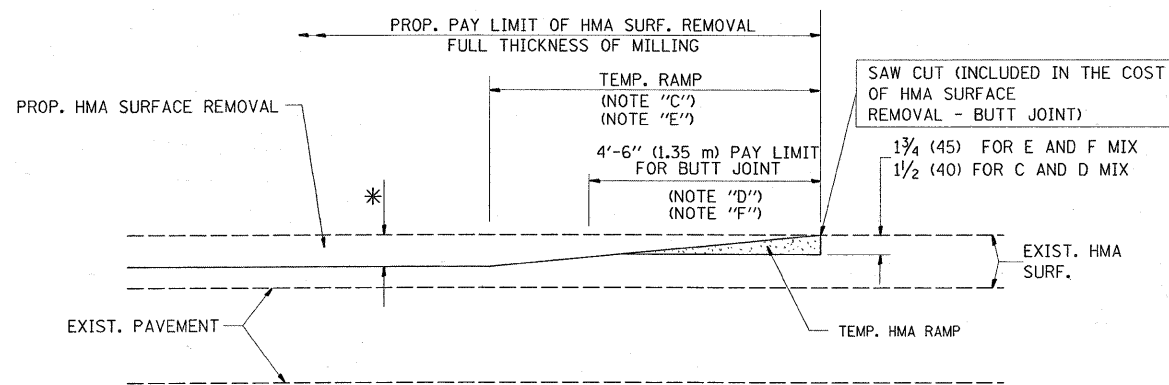
ALL DIMENSIONS ARE IN INCHES (MILLIMETERS) UNLESS OTHERWISE SHOWN.

FILE NAME =	USER NAME = estimoblek	DESIGNED - A. HOUSEH	REVISED - R. SHAH 10-03-96	STATE OF ILLINOIS DEPARTMENT OF TRANSPORTATION	CURB OR CURB AND GUTTER REMOVAL AND REPLACEMENT	F.A.P. RTE.	SECTION	COUNTY	TOTAL SHEETS	SHEET NO.	
estNp...work\PIWID01\ESTIMABLEK\0137945\...stStd.dgn	DRAWN -	REVISED - A. ABBAS 03-21-97	REVISED - M. GOMEZ 01-22-01			303	303	LAKE	24	16	
PLOT SCALE = 5/8" = 1' / IN.	CHECKED -	REVISED - R. BORO 01-01-07				BD600-06 (BD-24)		CONTRACT NO. 60G79			
PLOT DATE = 4/28/2009	DATE - 03-11-94					SCALE: NONE		SHEET NO. 1 OF 1 SHEETS		STA. TO STA.	



MILLED TEMPORARY RAMP
(FOR BUTT JOINT AND HMA TAPER SEE DETAIL BELOW)

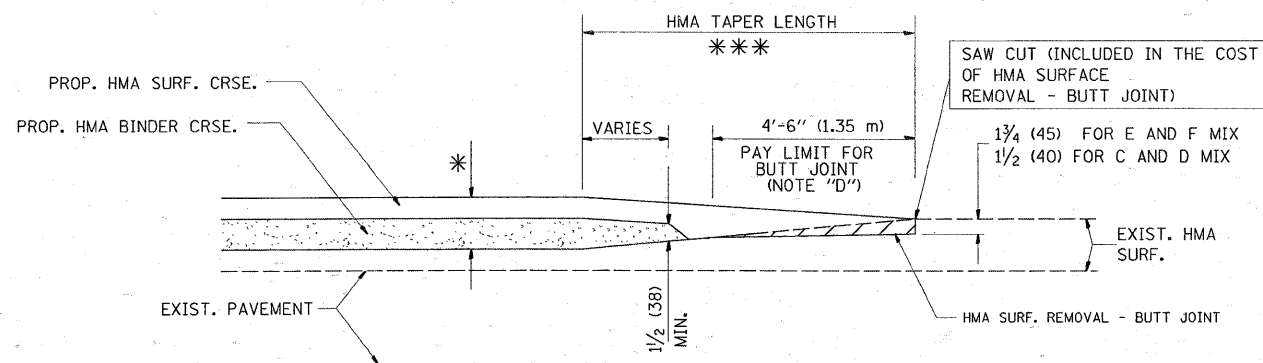
OPTION 1



HMA CONSTRUCTED TEMPORARY RAMP
(FOR BUTT JOINT AND HMA TAPER SEE DETAIL BELOW)

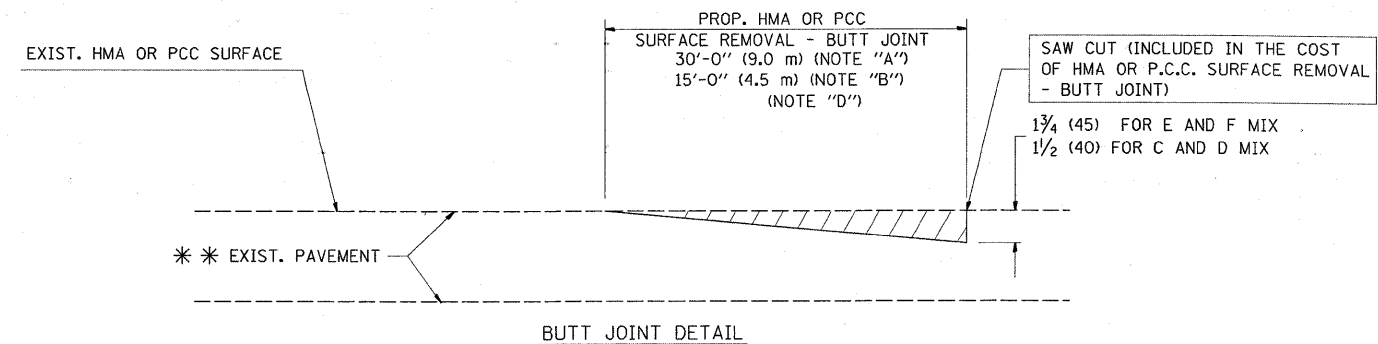
OPTION 2

TYPICAL TEMPORARY RAMP

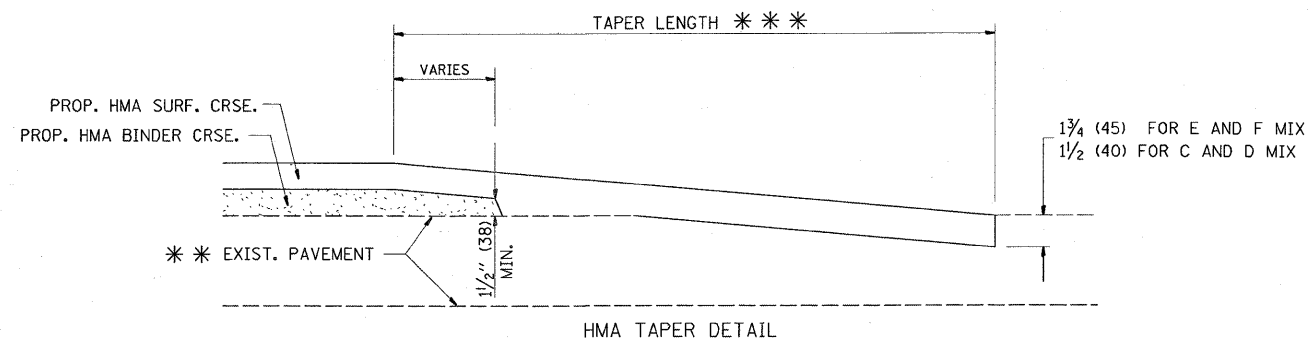


BUTT JOINT AND HMA TAPER

TYPICAL BUTT JOINT AND HMA TAPER
FOR MILLING AND RESURFACING



BUTT JOINT DETAIL



HMA TAPER DETAIL

TYPICAL BUTT JOINT AND HMA TAPER
FOR RESURFACING ONLY

*** PC CONCRETE, HMA OR HMA RESURFACED PAVEMENT.

NOTES

- A: MAINLINE ROADWAYS AND MAJOR SIDE ROADS.
 - B: MINOR SIDE ROADS.
 - C: THE TEMP. RAMP SHALL BE CONSTRUCTED IMMEDIATELY UPON REMOVAL OF THE EXISTING HMA SURFACE.
 - D: THE BUTT JOINT SHALL BE CONSTRUCTED IMMEDIATELY PRIOR TO PLACING THE PROPOSED HMA COURSES.
 - E: TAPER THE TEMP. RAMP AT A RATE OF 3'-0" (900 mm) PER 1 INCH (25 mm) OF MILLING THICKNESS.
 - F: INSTALLATION AND REMOVAL OF THE 4'-6" (1.35 m) TEMP. RAMP IS INCLUDED IN COST OF HMA SURFACE REMOVAL - BUTT JOINT
 - G: SEE ARTICLE 406.08 AND 406.14 OF THE STANDARD SPECIFICATIONS FOR "HMA AND/OR PCC SURFACE REMOVAL, BUTT JOINT".
- * SEE TYPICAL SECTIONS FOR MILLING THICKNESS.
- *** 20'-0" (6.1 m) PER 1 (25) RESURFACING (NOTE "A")
10'-0" (3.0 m) PER 1 (25) RESURFACING (NOTE "B")

BASIS OF PAYMENT:

THE BUTT JOINT WILL BE PAID FOR AT THE CONTRACT UNIT PRICE PER SQUARE YARD (SQUARE METER) FOR "HOT-MIX ASPHALT SURFACE REMOVAL - BUTT JOINT" OR FOR "PORTLAND CEMENT CONCRETE SURFACE REMOVAL - BUTT JOINT".

ALL DIMENSIONS ARE IN INCHES (MILLIMETERS) UNLESS OTHERWISE SHOWN.

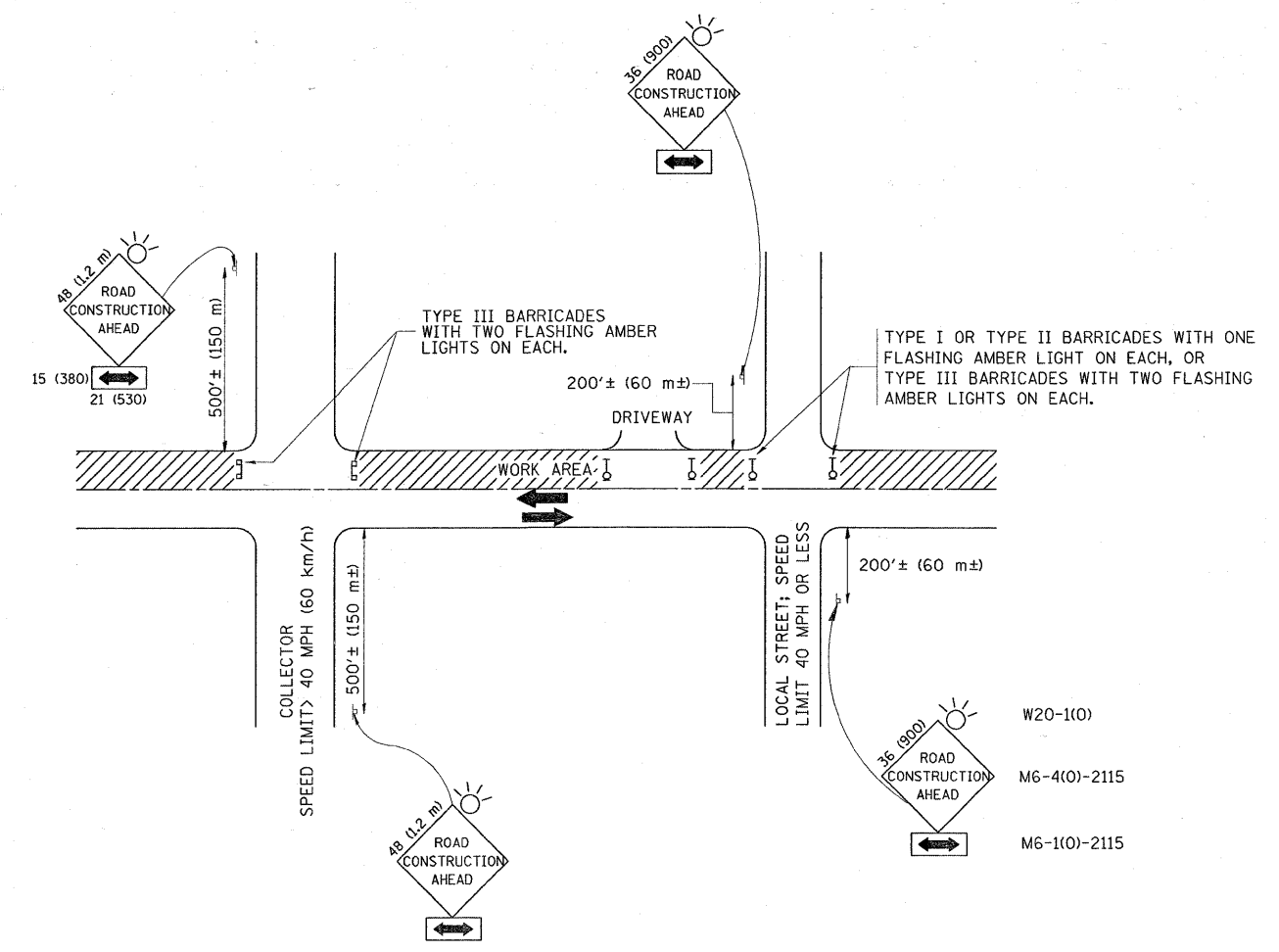
FILE NAME =	USER NAME = estmablek	DESIGNED - M. DE YONG	REVISED - R. SHAH 10-25-94
estm\work\PI\1001\ESTMABLEK\0137945\estStd.dgn		DRAWN -	REVISED - A. ABBAS 03-21-97
	PLOT SCALE = 50.0000' / IN.	CHECKED -	REVISED - M. GOMEZ 04-06-01
	PLOT DATE = 4/28/2009	DATE - 06-13-90	REVISED - R. BORO 01-01-07

STATE OF ILLINOIS
DEPARTMENT OF TRANSPORTATION

BUTT JOINT AND HMA TAPER DETAILS

SCALE: NONE SHEET NO. 1 OF 1 SHEETS STA. TO STA.

F.A.P. RTE.	SECTION	COUNTY	TOTAL SHEETS	SHEET NO.
303	303	LAKE	24	17
BD400-05 BD32			CONTRACT NO. 60G79	
FED. ROAD DIST. NO. 1 ILLINOIS FED. AID PROJECT				



TRAFFIC CONTROL AND PROTECTION FOR SIDE ROADS, INTERSECTIONS, AND DRIVEWAYS

NOTES:

- A. FOR NO LANE RESTRICTION ON THE SIDE ROAD OR DRIVEWAYS
 1. SIDE ROAD WITH A SPEED LIMIT OF 40 MPH (60 km/h) OR LESS AS SHOWN ON THE DRAWING AND AS DIRECTED BY THE ENGINEER:
 - a) ONE ROAD CONSTRUCTION AHEAD SIGN 36 x 36 (900x900) WITH A FLASHER AND FLAG MOUNTED ON IT APPROXIMATELY 200' (60 m) IN ADVANCE OF THE MAIN ROUTE.
 - b) THE CLOSED PORTION OF THE MAIN ROUTE SHALL BE PROTECTED BY BLOCKING WITH TYPE I, TYPE II OR TYPE III BARRICADES, 1/3 OF THE CROSS SECTION OF THE CLOSED PORTION.
 2. SIDE ROAD WITH A SPEED LIMIT GREATER THAN 40 MPH (60 km/h) AS SHOWN ON THE DRAWING AND AS DIRECTED BY THE ENGINEER:
 - a) ONE ROAD CONSTRUCTION AHEAD SIGN 48 x 48 (1.2 m x 1.2 m) WITH A FLASHER MOUNTED ON IT APPROXIMATELY 500' (150 m) IN ADVANCE OF THE MAIN ROUTE.
 - b) THE CLOSED PORTION OF THE MAIN ROUTE SHALL BE PROTECTED BY BLOCKING WITH TYPE III BARRICADES, 1/2 OF THE CROSS SECTION OF THE CLOSED PORTION.
 3. WHEN THE SIDE ROAD LIES BETWEEN THE BEGINNING OF THE MAINLINE SIGNING AND THE WORK ZONE, A SINGLE HEADED ARROW (M6-1) SHALL BE USED IN LIEU OF THE DOUBLE HEADED ARROW (M6-4).
- B. FOR A LANE CLOSURE ON A SIDE ROAD OR DRIVEWAY:

USE APPLICABLE PORTIONS OF THE TYPICAL APPLICATION OF TRAFFIC CONTROL DEVICES (STD. 701501, STD. 701606 OR THE APPROPRIATE STANDARD). THE SPACING OF SIGNS AND BARRICADES SHALL BE ADJUSTED FOR FIELD CONDITIONS AS DIRECTED BY THE ENGINEER. THE DIRECTIONAL ARROW SHALL BE COVERED OR REMOVED WHEN NO LONGER CONSISTENT WITH THE SIDE ROAD LANE CLOSURE.
- C. ADVANCE WARNING SIGNS ARE TO BE OMITTED ON DRIVEWAY UNLESS OTHERWISE NOTED.
- D. THE TRAFFIC CONTROL AND PROTECTION FOR SIDE ROADS, INTERSECTIONS, AND DRIVEWAYS SHALL BE INCIDENTAL TO THE COST OF SPECIFIED TRAFFIC CONTROL STANDARDS OR ITEMS.

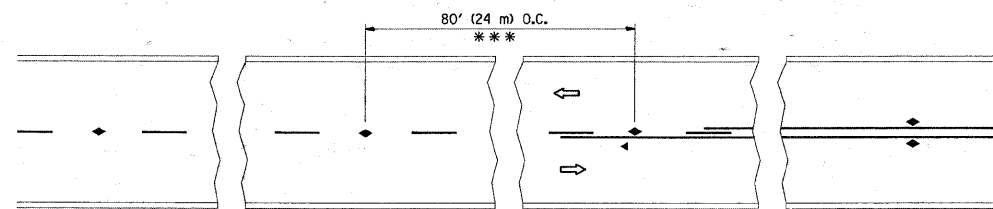
All dimensions are in millimeters (inches) unless otherwise shown.

FILE NAME =	USER NAME = estmablek	DESIGNED - LHA	REVISED - J. OBERLE 10-18-95
ct:\pwwork\p\WIDOT\ESTIMABLEK\0137945\est5td.dgn		DRAWN -	REVISED - A. HOUSEH 03-06-96
	PLOT SCALE = 50.00000' / IN.	CHECKED -	REVISED - A. HOUSEH 10-15-96
	PLOT DATE = 4/28/2009	DATE - 06-89	REVISED - T. RAMMACHER 01-06-00

**STATE OF ILLINOIS
DEPARTMENT OF TRANSPORTATION**

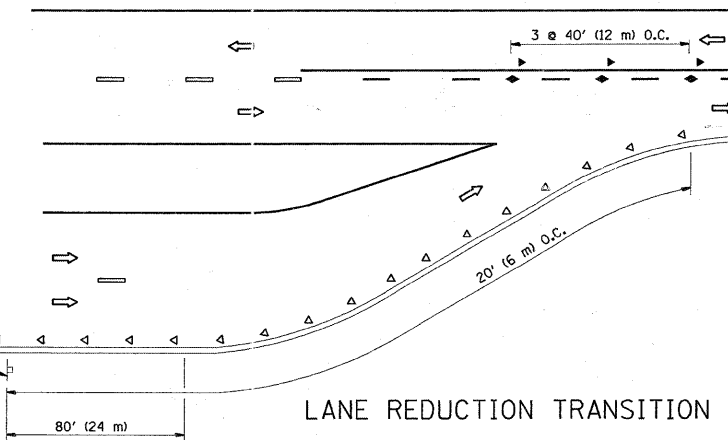
TRAFFIC CONTROL AND PROTECTION FOR SIDE ROADS, INTERSECTIONS, AND DRIVEWAYS			
SCALE: NONE	SHEET NO. 1	OF 1 SHEETS	STA. TO STA.

F.A.P. RTE.	SECTION	COUNTY	TOTAL SHEETS	SHEET NO.
303	303	LAKE	24	18
TC-10			CONTRACT NO. 60G79	
FED. ROAD DIST. NO. 1 ILLINOIS FED. AID PROJECT				

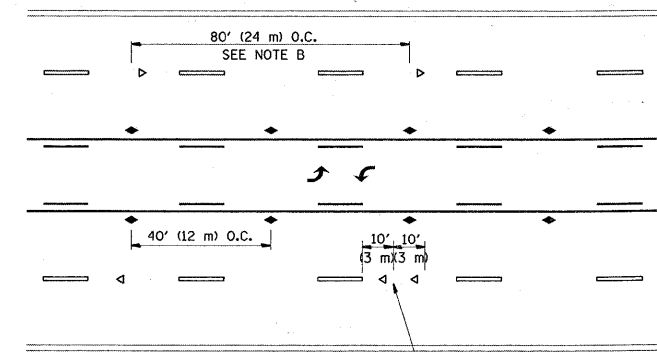


*** REDUCE TO 40' (12 m) O.C. ON CURVES WITH POSTED OR ADVISORY SPEED 45 M.P.H. (70 km/h) OR LESS.

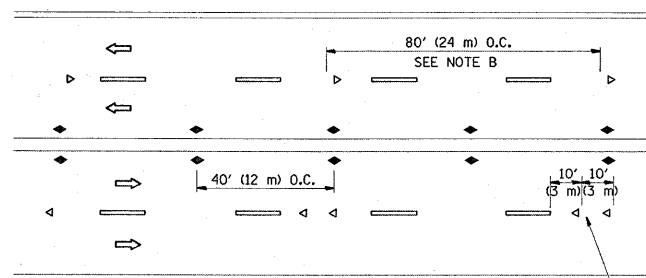
TWO-LANE/TWO-WAY



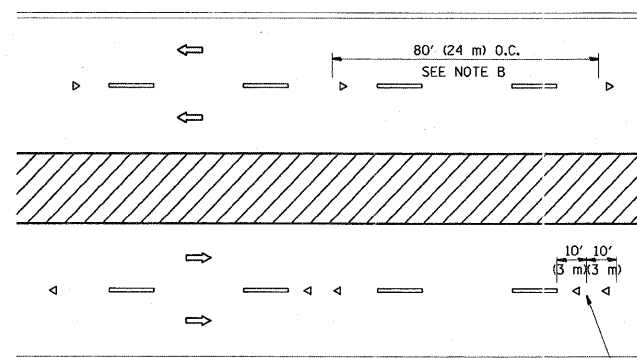
LANE REDUCTION TRANSITION



TWO-WAY LEFT TURN



MULTI-LANE/UNDIVIDED



MULTI-LANE/DIVIDED

GENERAL NOTES

1. MARKERS USED WITH DASHED LINES SHALL BE CENTERED IN THE GAP BETWEEN SEGMENTS.
2. MARKERS USED ADJACENT TO SOLID LINES SHALL BE OFFSET 2 TO 3 (50 TO 75) TOWARD TRAFFIC AS SHOWN.
3. MARKERS THROUGH TANGENTS LESS THAN 500' (150 m) IN LENGTH BETWEEN CURVES SHALL BE INSTALLED AT THE LESSER OF THE TWO CURVE SPACINGS.

SYMBOLS

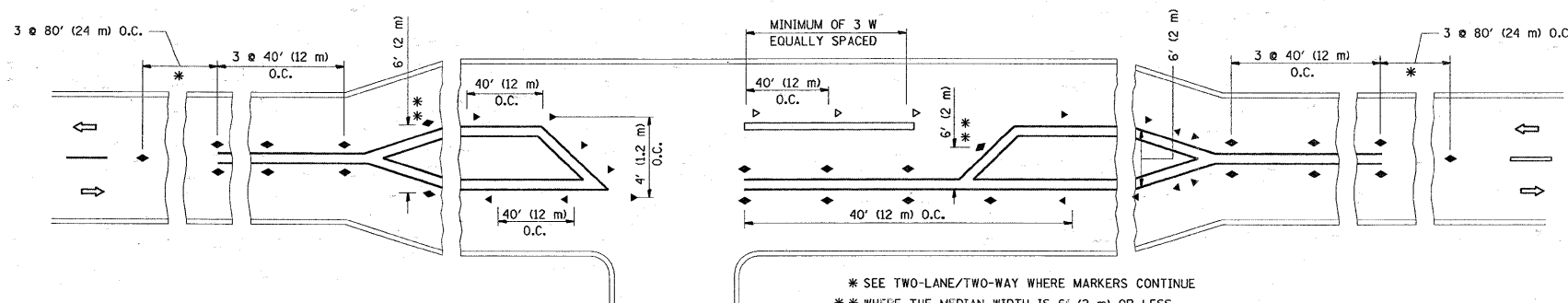
- YELLOW STRIPE
- WHITE STRIPE
- ◀ ONE-WAY AMBER MARKER
- ◁ ONE-WAY CRYSTAL MARKER (W/O)
- ◆ TWO-WAY AMBER MARKER

LANE MARKER NOTES

- B. REDUCE TO 40' (12 m) O.C. ON CURVES WHERE ADVISORY SPEEDS ARE 10 M.P.H (20 km/h) LOWER THAN POSTED SPEEDS.
- A. USE DOUBLE LANE LINE MARKERS SPACED AS SHOWN.

DESIGN NOTES

1. DOUBLE LANE LINE MARKERS SHALL BE USED UNLESS SPECIFIED OTHERWISE.
2. EXCEPT AS SHOWN ON THE LANE REDUCTION TRANSITION AND FREEWAY EXIT RAMP DETAIL, MARKERS ARE NOT TO BE SPECIFIED ON RIGHT EDGE LINES.
3. THE EXACT MARKER LIMITS, SPACING, AND COLOR SHOULD BE INCLUDED IN THE PLANS.
4. MARKERS SHOULD NOT BE USED ALONGSIDE CURBS EXCEPT FOR EXTREMELY SHORT SECTIONS OF CURBS WHERE NOT MORE THAN TWO MARKERS WOULD BE INVOLVED.

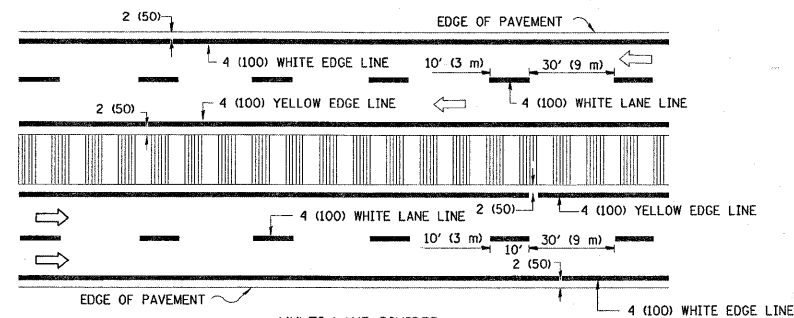
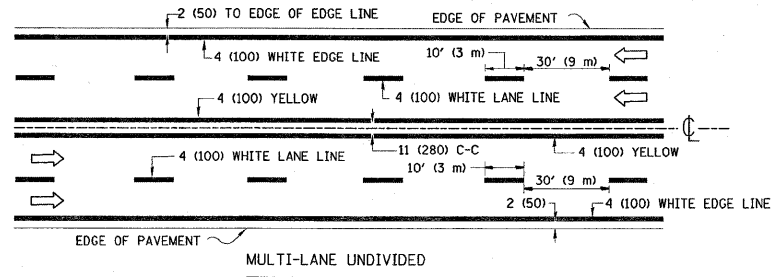
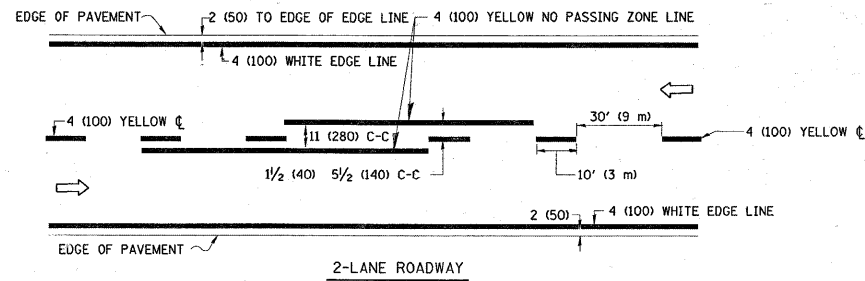


LEFT TURN

* SEE TWO-LANE/TWO-WAY WHERE MARKERS CONTINUE
 ** WHERE THE MEDIAN WIDTH IS 6' (2 m) OR LESS USE TWO-WAY MARKERS.

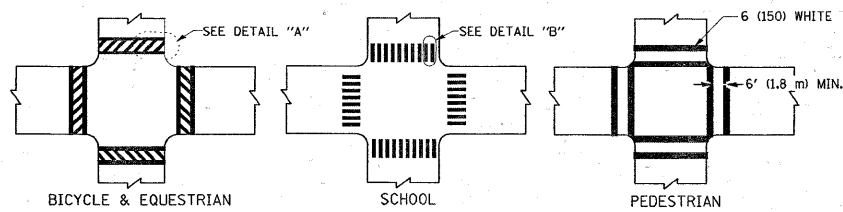
All dimensions are in inches (millimeters) unless otherwise shown.

FILE NAME =	USER NAME = estimoblek	DESIGNED -	REVISED - T. RAMMACHER 09-19-94	STATE OF ILLINOIS DEPARTMENT OF TRANSPORTATION	TYPICAL APPLICATIONS RAISED REFLECTIVE PAVEMENT MARKERS (SNOW-PLOW RESISTANT)			F.A.P. RTE.	SECTION	COUNTY	TOTAL SHEETS	SHEET NO.	
ca:\pw\work\p\WID01\ESTIMABLEK\d0137945\EstStd.dgn	PLOT SCALE = 50.0000' / IN.	DRAWN -	REVISED - T. RAMMACHER 03-12-99		SCALE: NONE	SHEET NO. 1 OF 1 SHEETS	STA.	TO STA.	303	303	LAKE	24	19
PLOT DATE = 4/20/2009	DATE -	CHECKED -	REVISED - T. RAMMACHER 01-06-00					TC-11		CONTRACT NO. 60G79			
			REVISED -					FED. ROAD DIST. NO. 1 ILLINOIS FED. AID PROJECT					

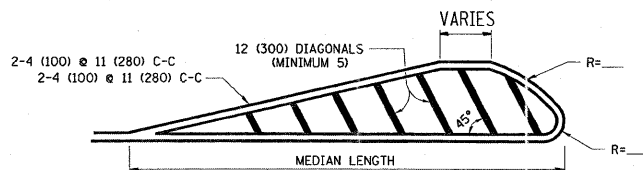
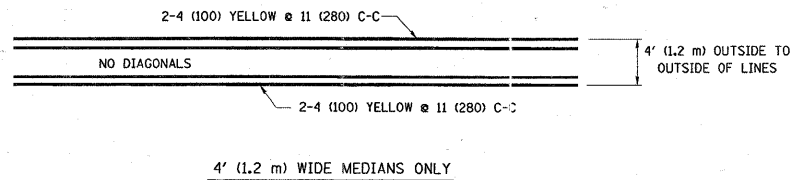


NOTE: MEDIANS WITH BARRIER CURB DO NOT REQUIRE AN EDGE LINE

TYPICAL LANE AND EDGE LINE MARKING

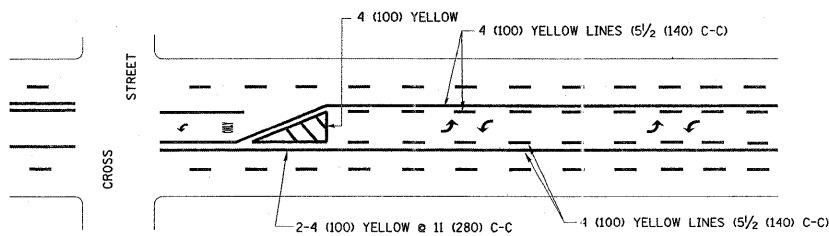


TYPICAL CROSSWALK MARKING

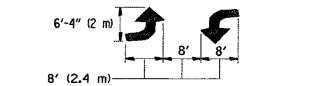


FOR MEDIAN LENGTHS WHERE DIAGONAL SPACING CANNOT BE ATTAINED, USE 5 (FIVE) EQUALLY SPACED DIAGONAL LINES.
 DIAGONAL LINE SPACING: 50' (15 m) C-C (LESS THAN 30MPH (50 km/h))
 75' (25 m) C-C 30MPH (50 km/h) TO 45MPH (70 km/h)
 150' (45 m) C-C (MORE THAN 45MPH (70 km/h))

MEDIANS OVER 4' (1.2 m) WIDE

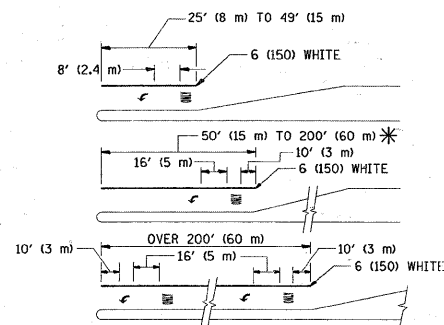


A MINIMUM OF TWO PAIRS OF TURN ARROWS SHALL BE USED, WHITE IN COLOR. ADDITIONAL PAIRS SHALL BE PLACED AT 200' (60 m) TO 300' (90 m) INTERVALS.



MEDIAN WITH TWO-WAY LEFT TURN LANE

TYPICAL PAINTED MEDIAN MARKING

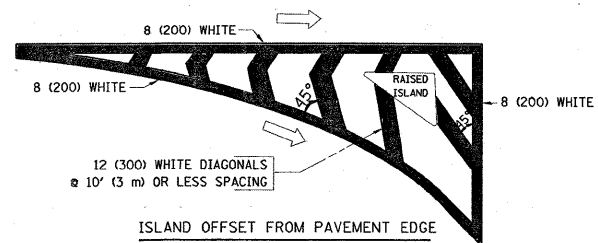


FULL SIZE LETTERS 8' (2.4 m) AND ARROWS SHALL BE USED.
 AREA = 15.6 SQ. FT. (1.5 m²) ONLY AREA = 20.8 SQ. FT. (1.9 m²)

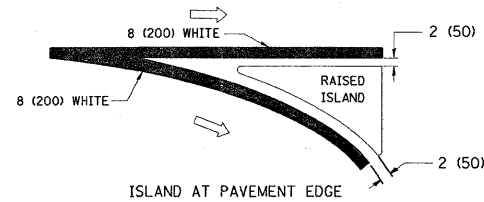
* TURN LANES IN EXCESS OF 400' (120 m) IN LENGTH MAY HAVE AN ADDITIONAL SET OF ARROW - "ONLY" INSTALLED MIDWAY BETWEEN THE OTHER TWO SETS OF ARROW - "ONLY".

TYPICAL LEFT (OR RIGHT) TURN LANE

TYPICAL TURN LANE MARKING



ISLAND OFFSET FROM PAVEMENT EDGE



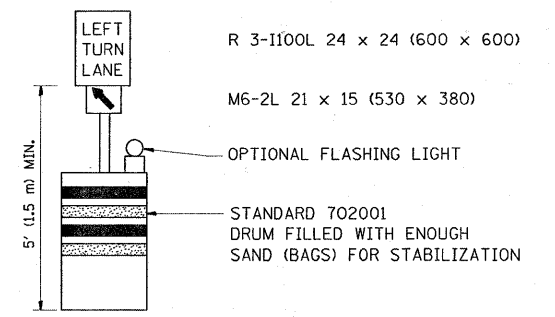
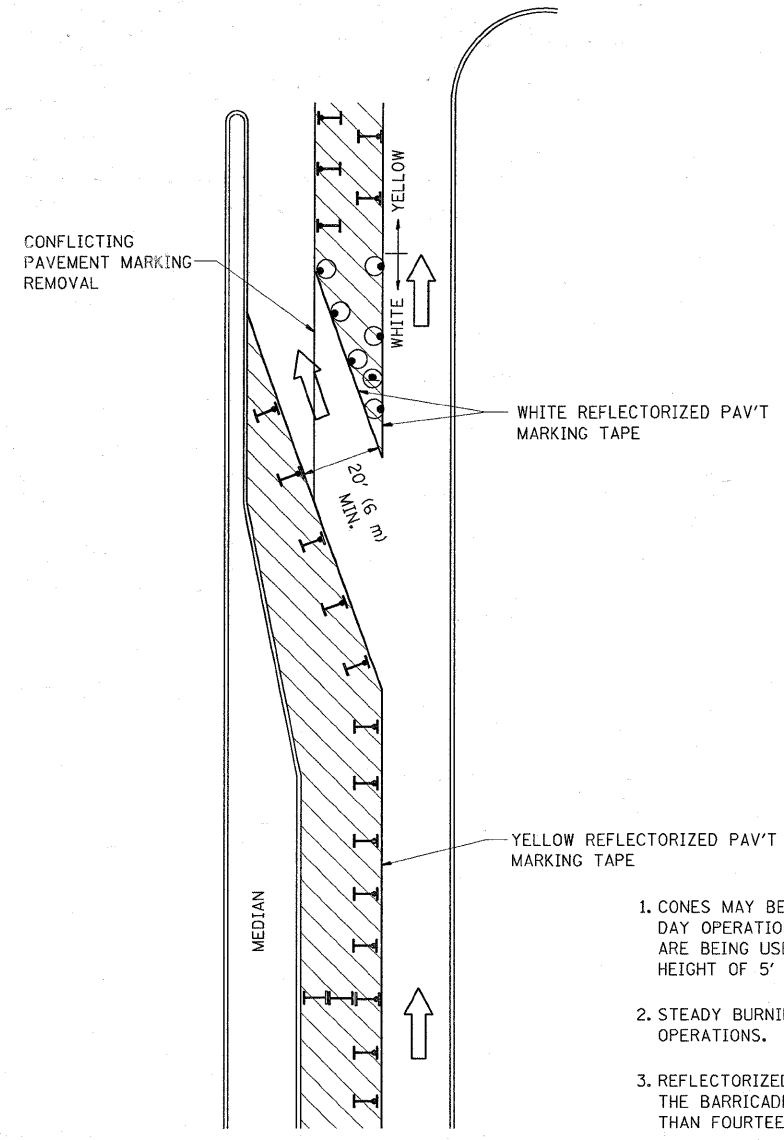
ISLAND AT PAVEMENT EDGE

TYPICAL ISLAND MARKING

TYPE OF MARKING	WIDTH OF LINE	PATTERN	COLOR	SPACING / REMARKS
CENTERLINE ON 2 LANE PAVEMENT	4 (100)	SKIP-DASH	YELLOW	10' (3 m) LINE WITH 30' (9 m) SPACE
CENTERLINE ON MULTI-LANE UNDIVIDED PAVEMENT	2 @ 4 (100)	SOLID	YELLOW	11 (280) C-C
NO PASSING ZONE LINES: FOR ONE DIRECTION FOR BOTH DIRECTIONS	4 (100) 2 @ 4 (100)	SOLID SOLID	YELLOW YELLOW	5/2 (140) C-C FROM SKIP-DASH CENTERLINE 11 (280) C-C OMIT SKIP-DASH CENTERLINE BETWEEN
LANE LINES	4 (100) 5 (125) ON FREEWAYS	SKIP-DASH SKIP-DASH	WHITE WHITE	10' (3 m) LINE WITH 30' (9 m) SPACE
DOTTED LINES (EXTENSIONS OF CENTER, LANE OR TURN LANE MARKINGS)	SAME AS LINE BEING EXTENDED	SKIP-DASH	SAME AS LINE BEING EXTENDED	2' (600) LINE WITH 6' (1.8 m) SPACE
EDGE LINES	4 (100)	SOLID	YELLOW-LEFT WHITE-RIGHT	OUTLINE MOUNTABLE MEDIANS IN YELLOW. EDGE LINES ARE NOT USED NEXT TO BARRIER CURB
TURN LANE MARKINGS	6 (150) LINE; FULL SIZE LETTERS & SYMBOLS (8' (2.4m))	SOLID	WHITE	SEE TYPICAL TURN LANE MARKING DETAIL
TWO WAY LEFT TURN MARKING	2 @ 4 (100) EACH DIRECTION 8' (2.4m) LEFT ARROW	SKIP-DASH AND SOLID IN PAIRS	YELLOW WHITE	10' (3 m) LINE WITH 30' (9 m) SPACE FOR SKIP-DASH; 5/2 (140) C-C BETWEEN SOLID LINE AND SKIP-DASH LINE SEE TYPICAL TWO-WAY LEFT TURN MARKING DETAIL
CROSSWALK LINES (PEDESTRIAN) A. DIAGONALS (BIKE & EQUESTRIAN) B. LONGITUDINAL BARS (SCHOOL)	2 @ 6 (150) 12 (300) @ 45° 12 (300) @ 90°	SOLID SOLID SOLID	WHITE WHITE WHITE	NOT LESS THAN 6' (1.8 m) APART 2' (600) APART 2' (600) APART SEE TYPICAL CROSSWALK MARKING DETAILS.
STOP LINES	24 (600)	SOLID	WHITE	PLACE 4' (1.2 m) IN ADVANCE OF AND PARALLEL TO CROSSWALK, IF PRESENT. OTHERWISE, PLACE AT DESIRED STOPPING POINT. PARALLEL TO CROSSROAD CENTERLINE, WHERE POSSIBLE
PAINTED MEDIANS	2 @ 4 (100) WITH 12 (300) DIAGONALS @ 45° NO DIAGONALS USED FOR 4' (1.2 m) WIDE MEDIANS	SOLID	YELLOW: TWO WAY TRAFFIC WHITE: ONE WAY TRAFFIC	11 (280) C-C FOR THE DOUBLE LINE SEE TYPICAL PAINTED MEDIAN MARKING.
GORE MARKING AND CHANNELIZING LINES	8 (200) WITH 12 (300) DIAGONALS @ 45°	SOLID	WHITE	DIAGONALS: 15' (4.5 m) C-C (LESS THAN 30MPH (50 km/h)) 20' (6 m) C-C 30MPH (50 km/h) TO 45MPH (70 km/h) 30' (9 m) C-C (OVER 45MPH (70 km/h))
RAILROAD CROSSING	24 (600) TRANSVERSE LINES; "RR" IS 6' (1.8 m) LETTERS; 16 (400) LINE FOR "X"	SOLID	WHITE	SEE STATE STANDARD 780001 AREA OF: "R"=3.6 SQ. FT. (0.33 m ²) EACH "X"=54.0 SQ. FT. (5.0 m ²)
SHOULDER DIAGONALS	12 (300) @ 45°	SOLID	WHITE - RIGHT YELLOW - LEFT	50' (15 m) C-C (LESS THAN 30MPH (50 km/h)) 75' (25 m) C-C 30 MPH (50 km/h) TO 45MPH (70 km/h) 150' (45 m) C-C (OVER 45MPH (70 km/h))

FOR FURTHER DETAILS ON PAVEMENT MARKING REFER TO STANDARD SPECIFICATIONS FOR ROAD AND BRIDGE CONSTRUCTION AND STATE STANDARD 780001.

All dimensions are in inches (millimeters) unless otherwise shown.



GENERAL NOTES

1. CONES MAY BE SUBSTITUTED FOR BARRICADES OR DRUMS AT HALF THE SPACING DURING DAY OPERATIONS. CONES SHALL BE A MINIMUM OF 28 (710) IN HEIGHT. WHEN CONES ARE BEING USED, THE "LEFT TURN LANE" SIGN MAY BE SKID MOUNTED AT A MINIMUM HEIGHT OF 5' (1.5 m).
2. STEADY BURNING LIGHTS WILL NOT BE REQUIRED ON BARRICADES OR DRUMS FOR DAY OPERATIONS. ALL LIGHTS SHALL BE MONODIRECTIONAL.
3. REFLECTORIZED TEMPORARY PAVEMENT MARKING TAPE SHALL BE PLACED THROUGHOUT THE BARRICADED AREA OF EACH TURN BAY WHERE THE CLOSURE TIME IS GREATER THAN FOURTEEN DAYS.
4. THIS APPLICATION ALSO APPLIES WHEN WORK IS BEING PERFORMED IN THE RIGHT LANE(S) AND THE RIGHT TURN BAY IS TO REMAIN OPEN. UNDER THIS CONDITION, "RIGHT TURN LANE" R3-100 24 x 24 (600 x 600) AND M6-2R 21 x 15 (530 x 380) SHALL BE USED.
5. THESE CONTROLS SHALL SUPPLEMENT MAINLINE TRAFFIC CONTROL FOR LANE CLOSURES.
6. LONGITUDINAL DIMENSIONS MAY BE ADJUSTED TO FIT FIELD CONDITIONS.
7. FORM BT 725 IS REQUIRED.
8. TRAFFIC CONTROL AND PROTECTION AT TURN BAYS (TO REMAIN OPEN TO TRAFFIC) SHALL BE INCLUDED IN THE COST SPECIFIED TRAFFIC CONTROL STANDARDS OR ITEMS.

LEGEND

- WORK AREA
- LANE OPEN TO TRAFFIC
- TYPE I OR II BARRICADE WITH STEADY BURN LIGHT
- DRUM WITH STEADY BURN LIGHT
- DRUM WITH SIGN (WITH OPTIONAL FLASHING LIGHT) SEE DETAIL
- TYPE I OR II CHECK BARRICADE WITH FLASHING LIGHT

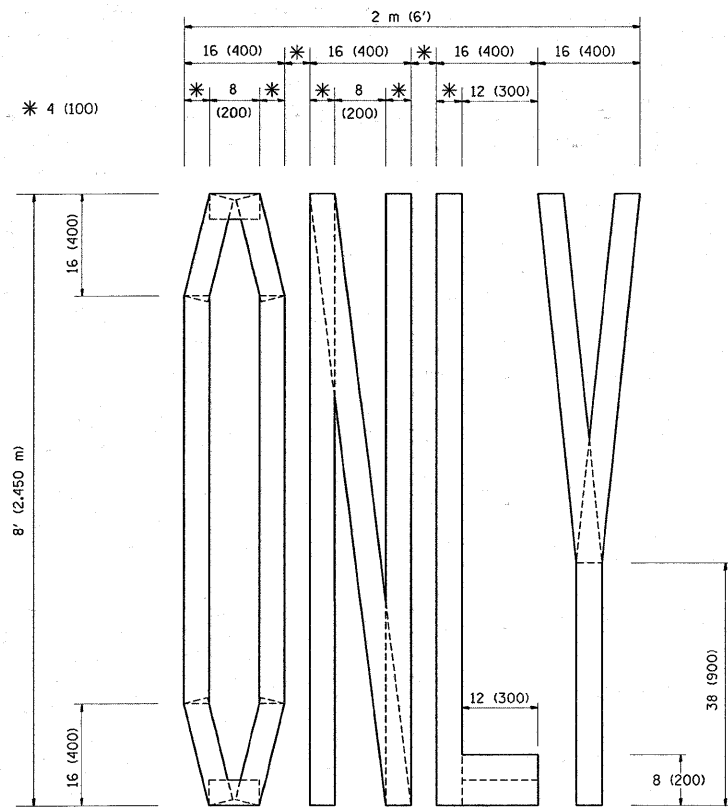
All dimensions are in inches (millimeters) unless otherwise shown.

FILE NAME =	USER NAME = estiblek	DESIGNED -	REVISED -T. RAMMACHER 09-08-94
et:\pwork\PWIDOT\ESTIMABLEK\J8137945\estStd.dgn		DRAWN -	REVISED - A. HOUSEH 11-07-95
PLOT SCALE = 50.0000' / IN.		CHECKED -	REVISED - A. HOUSEH 10-12-96
PLOT DATE = 4/20/2009		DATE -	REVISED -T. RAMMACHER 01-06-00

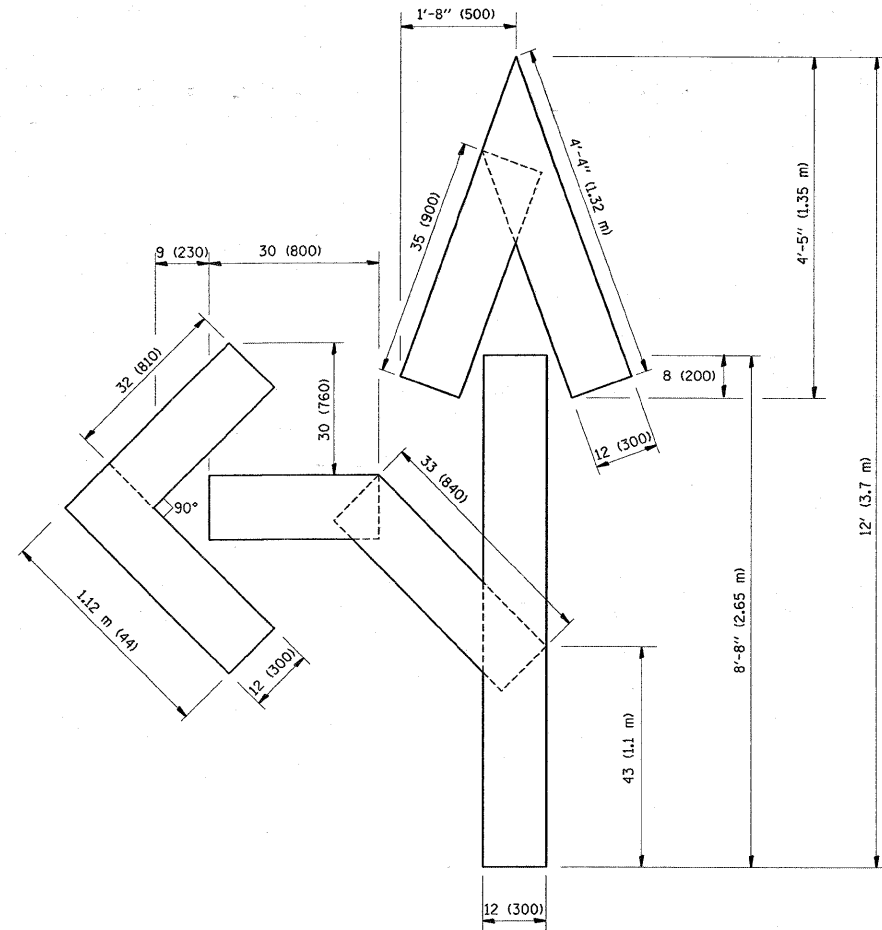
**STATE OF ILLINOIS
DEPARTMENT OF TRANSPORTATION**

**TRAFFIC CONTROL AND PROTECTION AT TURN BAYS
(TO REMAIN OPEN TO TRAFFIC)**

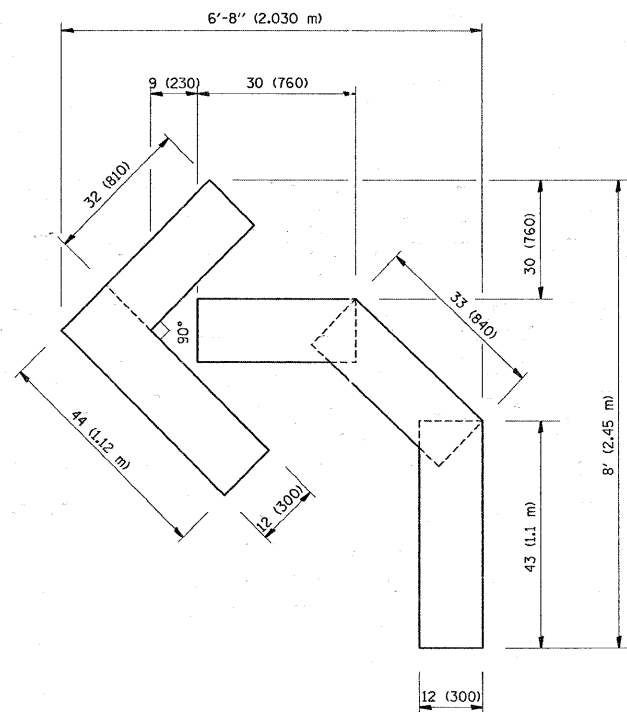
SCALE: NONE	SHEET NO. 1 OF 1 SHEETS	STA. TO STA.	F.A.P. RTE. 303	SECTION 303	COUNTY LAKE	TOTAL SHEETS 24	SHEET NO. 21
			TC-14		CONTRACT NO. 60G79		
FED. ROAD DIST. NO. 1 ILLINOIS FED. AID PROJECT							



QUANTITY
 4 (100) LINE = 64.1 ft. (19.7 m)
 21.1 sq. ft. (1.97 sq. m)



QUANTITY
 4 (100) LINE = 82.5 ft. (25.3 m)
 27.5 sq. ft. (2.53 sq. m)



QUANTITY
 4 (100) LINE = 45.5 ft. (13.9 m)
 15.2 sq. ft. (1.39 sq. m)

All dimensions are in Inches (millimeters) unless otherwise shown.

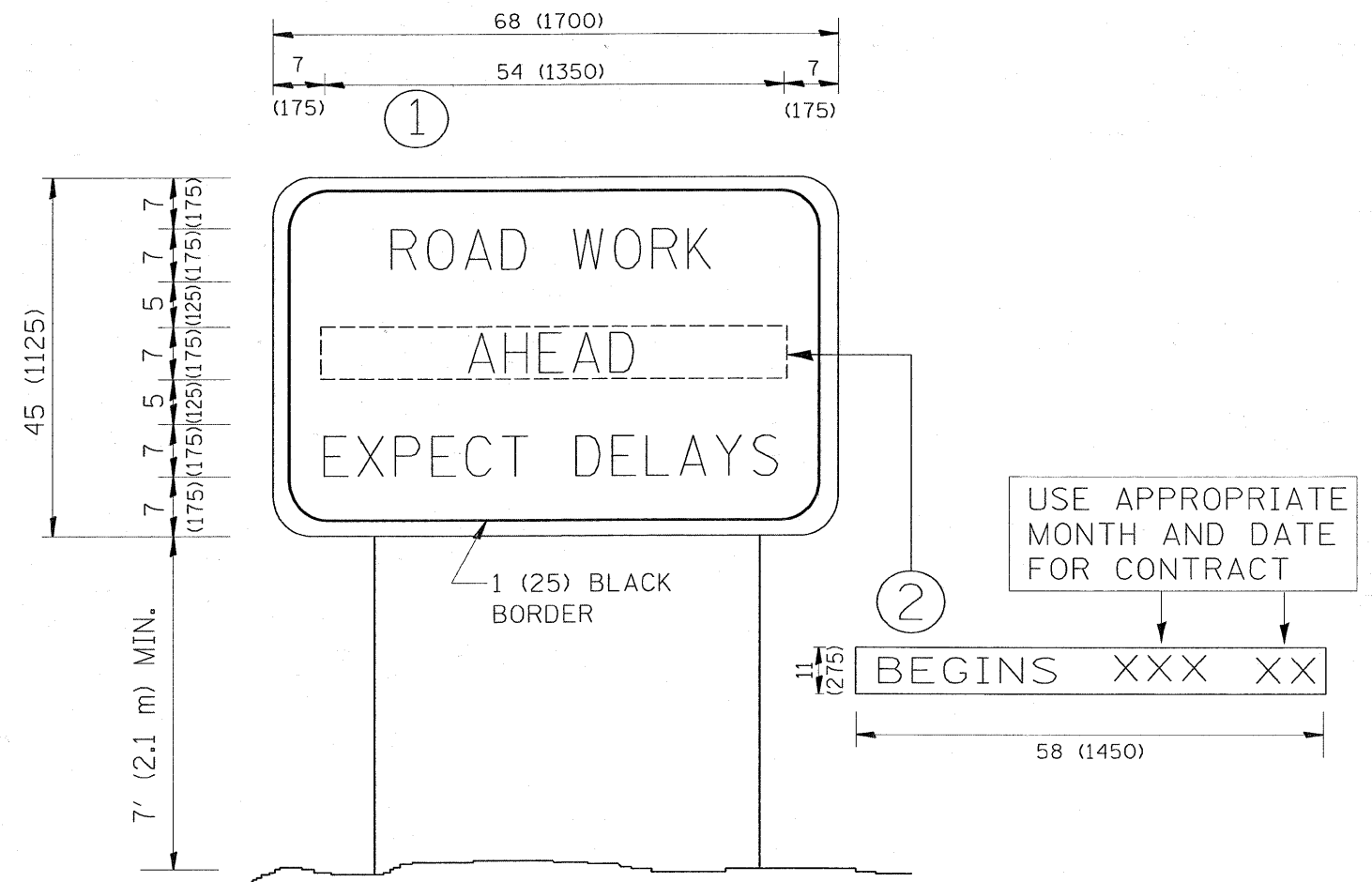
FILE NAME =	USER NAME = estimblek	DESIGNED -	REVISED - T. RAMMACHER 06-05-96
c:\pwork\VPWIDOT\ESTIMABLEK\d0137945\EstStd.dgn		DRAWN -	REVISED - T. RAMMACHER 11-04-97
PLOT SCALE = 50.0000" / IN.		CHECKED -	REVISED - T. RAMMACHER 03-02-98
PLOT DATE = 4/20/2009		DATE - 09-18-94	REVISED - E. GOMEZ 08-28-00

**STATE OF ILLINOIS
 DEPARTMENT OF TRANSPORTATION**

**PAVEMENT MARKING LETTERS AND SYMBOLS
 FOR TRAFFIC STAGING**

SCALE: NONE SHEET NO. 1 OF 1 SHEETS STA. TO STA.

F.A.P. RTE. 303	SECTION 303	COUNTY LAKE	TOTAL SHEETS 24	SHEET NO. 22
TC-16		CONTRACT NO. 60G79		
FED. ROAD DIST. NO. 1 ILLINOIS FED. AID PROJECT				



NOTES:

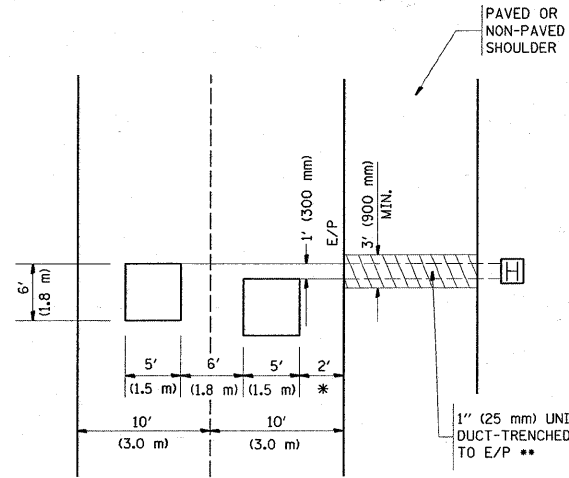
1. USE BLACK LETTERING ON ORANGE BACKGROUND.
2. ERECT SIGNS IN ADVANCE OF THE LOCATION FOR THE "ROAD CONSTRUCTION AHEAD" SIGN AT LOCATIONS AS DIRECTED BY THE ENGINEER.
3. ERECT SIGN ① WITH INSTALLED PANEL ② ONE WEEK PRIOR TO THE START OF CONSTRUCTION.
4. REMOVE PANEL ② SOON AFTER THE START OF CONSTRUCTION.
5. SEE SPECIAL PROVISION FOR "TEMPORARY INFORMATION SIGNING" FOR ADDITIONAL INFORMATION.
6. ONE SIGN ASSEMBLY EQUALS 25.70 SQ. FT. (2.3 SQ. M.)
7. SHALL BE PAID FOR AS TEMPORARY INFORMATION SIGNING.

ALL DIMENSIONS ARE IN INCHES (MILLIMETERS) UNLESS OTHERWISE SHOWN.

FILE NAME =	USER NAME = estumablek	DESIGNED -	REVISED - R. MIRS 09-15-97	STATE OF ILLINOIS DEPARTMENT OF TRANSPORTATION	ARTERIAL ROAD INFORMATION SIGN		F.A.P. RTE.	SECTION	COUNTY	TOTAL SHEETS	SHEET NO.
c:\pw_work\PWIDOT\ESTIMABLEK\0137945\101stStd.dgn		DRAWN -	REVISED - R. MIRS 12-11-97		303	303	LAKE	24	23		
		CHECKED -	REVISED - T. RAMMACHER 02-02-99		TC-22		CONTRACT NO. 60G79				
		DATE -	REVISED - C. JUCIUS 01-31-07		SCALE: NONE		SHEET NO. 1 OF 1 SHEETS		STA. TO STA.		FED. ROAD DIST. NO. 1 ILLINOIS FED. AID PROJECT

LOOPS NEXT TO SHOULDERS

PROVIDE A PAVEMENT REPLACEMENT NOTE WHICH SHOULD EQUAL 3' (900 mm) X WIDTH OF PAVED SHOULDER.

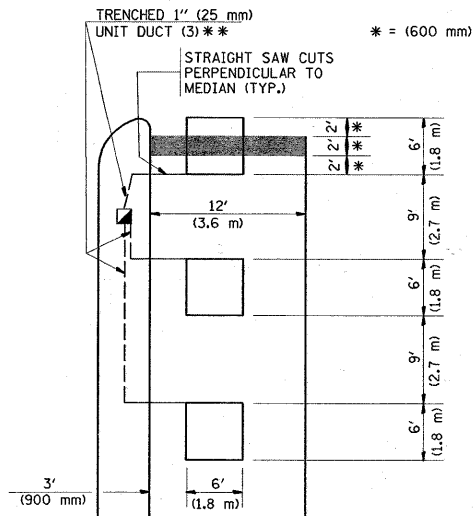


* = (600 mm)

** UNIT DUCT IS TO BE SHOWN ON PLAN SHEETS BUT SHALL NOT BE INCLUDED IN THE PAY ITEMS.

**LEFT TURN LANES WITH MEDIANS
VOLUME DENSITY ("FAR OUT" DETECTION)
ON SAME APPROACH
(PROTECTED / PERMITTED LEFT TURN PHASING)**

HANDHOLE LOCATION MAY VARY DEPENDING ON GEOMETRICS AND DESIGN OF TRAFFIC SIGNALS. HEAVY-DUTY HANDHOLES TO BE USED WHEN THE MEDIAN IS MOUNTABLE. REFER TO STANDARD 814001 TO ENSURE THAT HANDHOLE FITS IN MEDIAN.

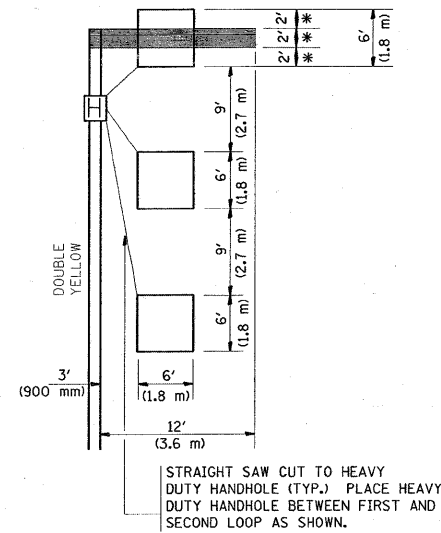


** UNIT DUCT IS TO BE SHOWN ON PLAN SHEETS BUT SHALL NOT BE INCLUDED IN THE PAY ITEMS.

NOTE: DUAL LEFT TURNS NOT SHOWN REFER TO PLAN SHEET FOR DETECTOR LOOP REPLACEMENT

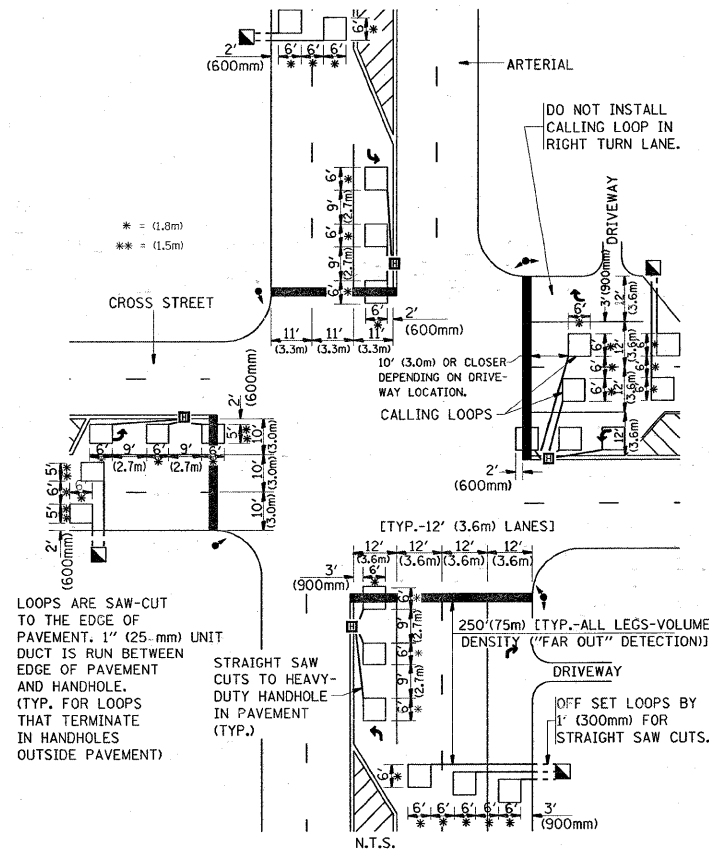
**LEFT TURN LANES WITHOUT MEDIANS
VOLUME DENSITY ("FAR OUT" DETECTION)
ON SAME APPROACH
(PROTECTED / PERMITTED LEFT TURN PHASING)**

* = (600 mm)



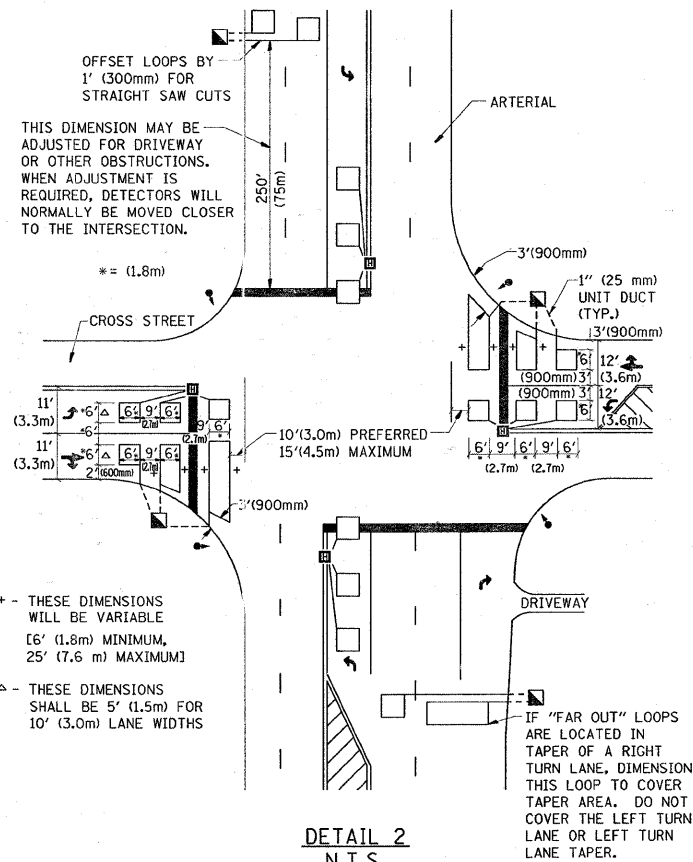
NOTE: DUAL LEFT TURNS NOT SHOWN REFER TO PLAN SHEET FOR DETECTOR LOOP REPLACEMENT

**ARTERIAL-VOLUME DENSITY ("FAR OUT" DETECTION)
CROSS STREET-VOLUME DENSITY ("FAR OUT" DETECTION)**



DETAIL 1
N.T.S.

**ARTERIAL-VOLUME DENSITY ("FAR OUT" DETECTION)
CROSS STREET-NON VOLUME DENSITY ("UPTIGHT" PRESENCE DETECTION)**



DETAIL 2
N.T.S.

NOTES:

VEHICLES LOOP DETECTORS

- * ALL LEAD IN CABLE SHALL BE TWO CONDUCTOR NO. 14 TWISTED, SHIELDED.
- * EACH DETECTOR LOOP SHALL HAVE ITS OWN SAW CUT FROM THE LOOP TO THE EDGE OF PAVEMENT OR TO A HANDHOLE IN THE PAVEMENT.
- * EACH DETECTOR LOOP SHALL HAVE ITS OWN ONE INCH (25 mm) UNIT DUCT BETWEEN THE EDGE OF PAVEMENT AND THE FIRST HANDHOLE OR JUNCTION BOX. EACH UNIT DUCT RUN SHALL BE SHOWN ON THE PLANS BY THE DESIGNER, BUT SHALL NOT BE PAID FOR SEPARATELY. THIS ITEM IS INCIDENTAL TO THE PAY ITEM FOR DETECTOR LOOPS.
- * ONE DIMENSION OF ALL DETECTOR LOOPS SHALL BE SIX FEET (1.8 m)
- * EACH LANE OF NON-LOCKING, PRESENCE DETECTION AND EACH LANE OF A DOUBLE LEFT TURN LANE REQUIRES A SEPARATE INDUCTIVE LOOP DETECTOR AND LEAD IN CABLE.
- * WHEN NON-LOCKING, PRESENCE DETECTION IS USED, MORE THAN ONE LOOP PER LANE IS REQUIRED BEHIND THE STOP BAR (i.e. 1-1/2, 1-3/4, 2).
- * WHEN SYSTEM LOOPS ARE REQUIRED ON AN APPROACH OF AN INTERSECTION, THE LOOPS USED FOR VOLUME DENSITY AND INTERSECTION TIMING SHALL ALSO BE USED AS SYSTEM DETECTORS. EACH ONE OF THESE TYPE OF LOOPS REQUIRES A SEPARATE TWO CONDUCTOR NO. 14 TWISTED SHIELDED CABLE AND A SEPARATE INDUCTIVE LOOP DETECTOR WHEN NEW CONTROLLERS ARE UTILIZED. THE DESIGNER SHALL LABEL THESE TYPES OF LOOPS AS "INTERSECTION AND SAMPLING (SYSTEM) DETECTORS" ON THE SIGNAL LAYOUT, THE INTERCONNECT PLAN AND THE SYSTEM CABLE PLAN. WHEN AN EXISTING CONTROLLER IS UTILIZED FOR THIS TYPE OF DETECTION, THE PAY ITEM "INDUCTIVE LOOP DETECTOR WITH SYSTEM OUTPUT" SHOULD BE USED.

PLACEMENT OF DETECTORS

THE FOLLOWING FIGURES REPRESENT THE MOST COMMON DETECTOR LOOP LOCATIONS AND SIZES. ADJUSTMENTS WILL BE NECESSARY FOR SPECIFIC GEOMETRIC CONSIDERATIONS.

LOCATIONS AND DEMENSIONS OF DETECTOR LOOPS ARE REQUIRED ON ALL SIGNAL LAYOUT PLAN SHEETS.

"FAR OUT" DETECTION REFERS TO LOCKING, PRESENCE TYPE DETECTION LOCATED IN THRU LANES, RIGHT TURN LANES, AND RIGHT TURN LANE TAPER AREAS (IF APPLICABLE), USUALLY 250' (75 m) IN ADVANCE OF STOP BARS. "UPTIGHT" DETECTION REFERS TO NON-LOCKING PRESENCE TYPE DETECTION LOCATED IN ALL LANES AND 10'-15' (3.0 m-4.5 m) BEHIND THE CROSSING STREET'S EDGE OF PAVEMENT EXTENDED.

NOTE:

ALL DETAILS AND NOTES SHOWN ARE FROM THE I.D.O.T. DISTRICT 1 TRAFFIC SIGNAL DESIGN GUIDELINES DATED JANUARY 1995

THIS DRAWING HAS BEEN PREPARED TO ASSIST THE RESIDENT ENGINEER FOR ALL ROADWAY RESURFACING OR S.M.A.R.T. PROJECTS WHERE THE DIMENSIONS ARE NOT SHOWN ON THE PLANS AND THE FINAL LOCATIONS FOR CROSSWALKS OR STOP BARS ARE NOT DETERMINED.

FILE NAME =	USER NAME = estimablek	DESIGNED -	REVISED -	STATE OF ILLINOIS DEPARTMENT OF TRANSPORTATION	DISTRICT 1 - DETECTOR LOOP INSTALLATION DETAILS FOR ROADWAY RESURFACING	F.A.P. RTE.	SECTION	COUNTY	TOTAL SHEETS	SHEET NO.	
ct:\p\work\p\WIDOT\EST\IMABLEK\d8137945\	est5.dgn	DRAWN -	REVISED -			303	303	LAKE	24	24	
PLOT SCALE = 50,0000 ' / IN.	CHECKED - R.K.F.	REVISED -	REVISED -			TS-07		CONTRACT NO. 60G79			
PLOT DATE = 4/28/2009	DATE -	REVISED -	REVISED -			SCALE: NONE	SHEET NO. 1 OF 1 SHEETS	STA.	TO STA.		FED. ROAD DIST. NO. 1 ILLINOIS FED. AID PROJECT