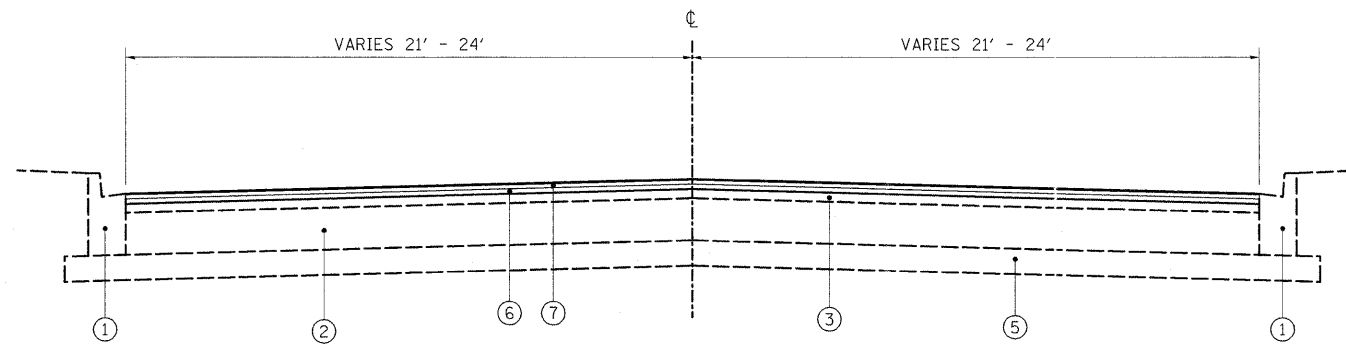


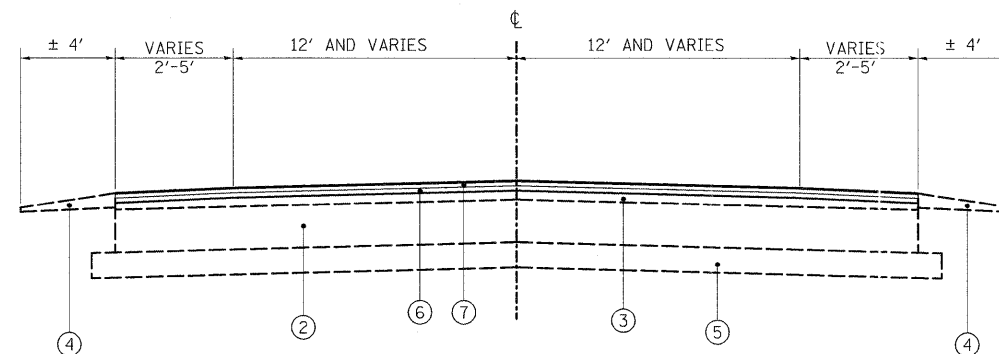
PROPOSED TYPICAL SECTION LAKE COOK ROAD

STA. 21+00 TO STA. 36+50
 • B-6.12 CURB AND GUTTER STA. 30+00 TO STA. 36+50



PROPOSED TYPICAL SECTION LAKE COOK ROAD

STA. 36+50 TO STA. 82+95



PROPOSED TYPICAL SECTION LAKE COOK ROAD

STA. 90+38 TO STA. 257+30

HOT-MIX ASPHALT MIXTURE

MIXTURE	AC TYPE	AIR VOIDS (%)
HOT-MIX ASPHALT SURFACE COURSE, MIX "D", N70 (IL 9.5 mm)	PG 64-22	4% @ 70 GYR.
POLYMERIZED LEVELING BINDER (MACHINE METHOD), IL-4.75, N50	SBS/SBR PG 76-28/-22	4% @ 50 GYR.
HMA REPLACEMENT OVER PATCHES (HMA BINDER, IL-19 mm)	PG 64-22*	4% @ 70 GYR.
CLASS D PATCH (HMA BINDER, IL-19 mm)	PG 64-22*	4% @ 70 GYR.

THE UNIT WEIGHT USED TO CALCULATE ALL HOT-MIX ASPHALT SURFACE MIXTURES IS 112 LBS/SQ YD/IN

*WHEN RAP EXCEEDS 20%, THE NEW ASPHALT BINDER IN THE MIX SHALL BE PG 58-22.

LEGEND

- ① EXISTING COMBINATION CURB AND GUTTER, TYPE B-6.12
- ② EXISTING PCC PAVEMENT, ±10"
- ③ EXISTING HOT-MIX ASPHALT PAVEMENT, ±4" (BEFORE SURFACE REMOVAL)
- ④ EXISTING AGGREGATE SHOULDER
- ⑤ EXISTING AGGREGATE BASE COURSE
- ⑥ PROPOSED POLYMERIZED LEVELING BINDER (MACHINE METHOD), IL-4.75, N50, 3/4"
- ⑦ PROPOSED HOT-MIX ASPHALT SURFACE COURSE, MIX "D", N70, 1/2"

PLOT DATE = 4/16/2009
 FILE NAME = H:\122551\LakeCook Road\Sheet\LakeCook Typical Sections.dgn
 PLOT SCALE = 1/4"
 PLOT NAME = Proposed Typical Section
 MODEL =

DESIGNED - MAK	REVISED -
DRAWN - JMT	REVISED -
CHECKED - BLB	REVISED -
DATE - 4/16/2009 1:31:20 PM	REVISED -

F.A.P. RTE.	SECTION	COUNTY	TOTAL SHEETS	SHEET NO.
1270	0506 RS-12	LAKE	30	5
CONTRACT NO. 60H02				
FED. ROAD DIST. NO. 1 ILLINOIS FED. AID PROJECT				