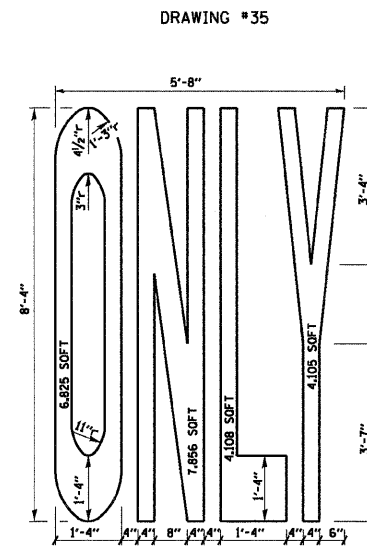
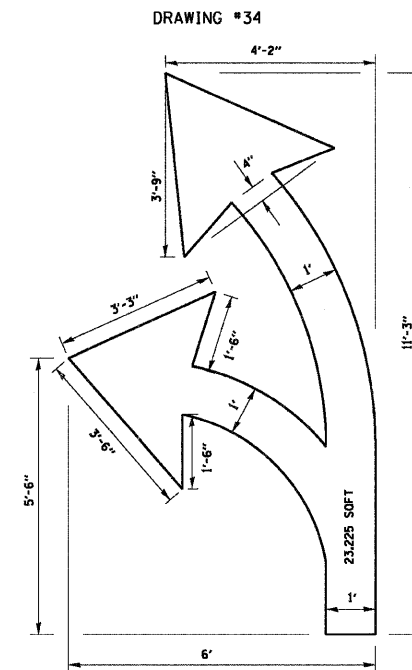
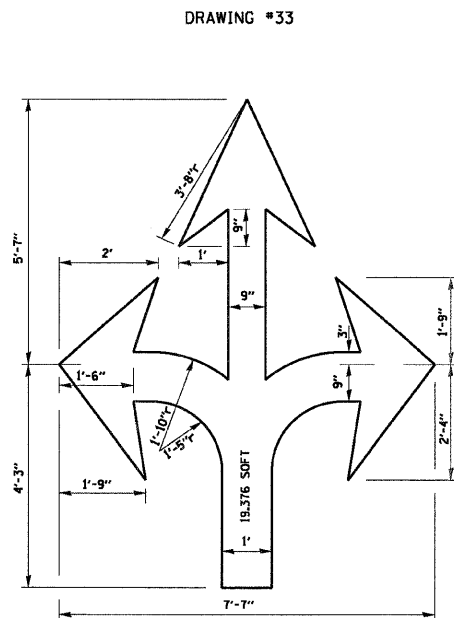
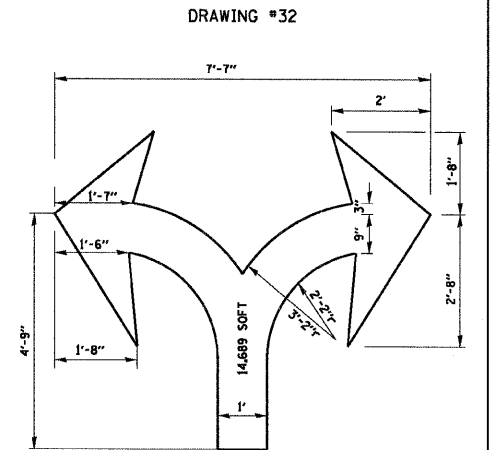
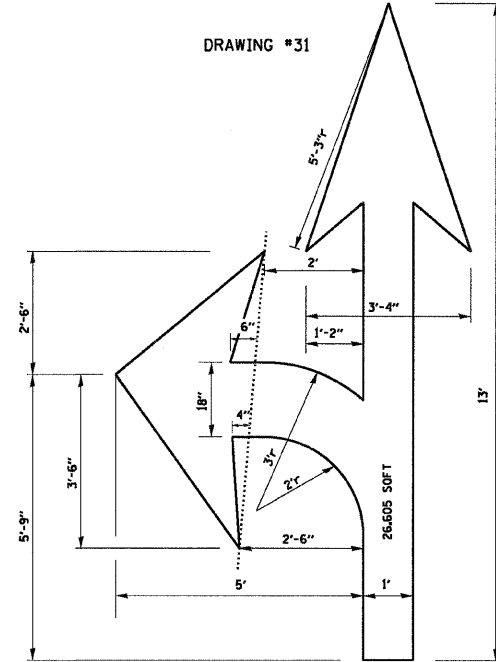
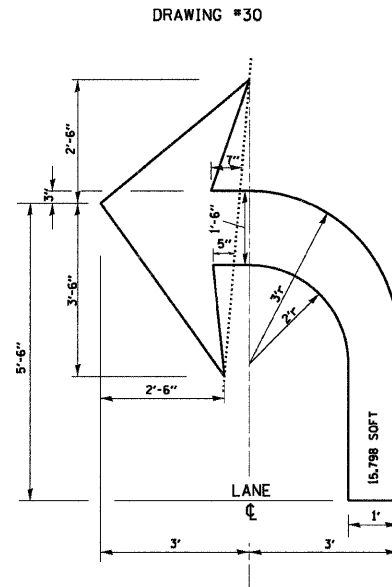
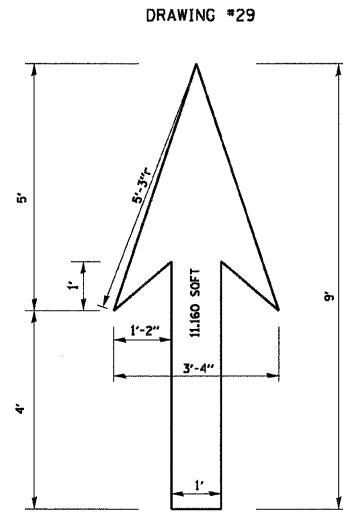


NOTE:
 1.) FOR BIKE LANE SYMBOLS ONLY,
 USE PRE-FORMED THERMOPLASTIC
 WITH A MINIMUM THICKNESS OF 90 MILS.
 MINIMUM SKID RESISTANCE VALUE OF 60 BPN,
 & A MINIMUM INDEX OF REFRACTION OF 1.50.
 2.) THE RESIDENT ENGINEER SHALL CONTACT
 MR. BEN GOMBERG AT 312-744-8093 AT
 LEAST ONE CALENDAR WEEK PRIOR TO
 INSTALLING BIKE LANE SYMBOLS.

TYPICAL BIKE LANE SYMBOLS
 DRAWING #28



NOTE:
 ALL MARKINGS SHALL BE
 SOLID WHITE UNLESS
 OTHERWISE NOTED IN THE
 PLANS

FILE NAME =
 W:\diststd\22x34\to24.dgn

USER NAME = geglennobt
 PLOT SCALE = 50,000' / IN.
 PLOT DATE = 1/4/2008

| | |
|------------|---------------------------------|
| DESIGNED - | REVISED - T. RAMMACHER 12-07-00 |
| DRAWN - | REVISED - |
| CHECKED - | REVISED - |
| DATE - | REVISED - |

STATE OF ILLINOIS
DEPARTMENT OF TRANSPORTATION

CITY OF CHICAGO
TYPICAL PAVEMENT MARKINGS
 SCALE: NONE SHEET NO. 2 OF 2 SHEETS STA. TO STA.

| | | | | |
|---|-------------------|--------------------|-----------------|--------------|
| F.A.L. RTE. 2865 | SECTION 2829 RS-4 | COUNTY COOK | TOTAL SHEETS 18 | SHEET NO. 18 |
| TC-24 | | CONTRACT NO. 60H10 | | |
| FED. ROAD DIST. NO. 1 ILLINOIS FED. AID PROJECT | | | | |