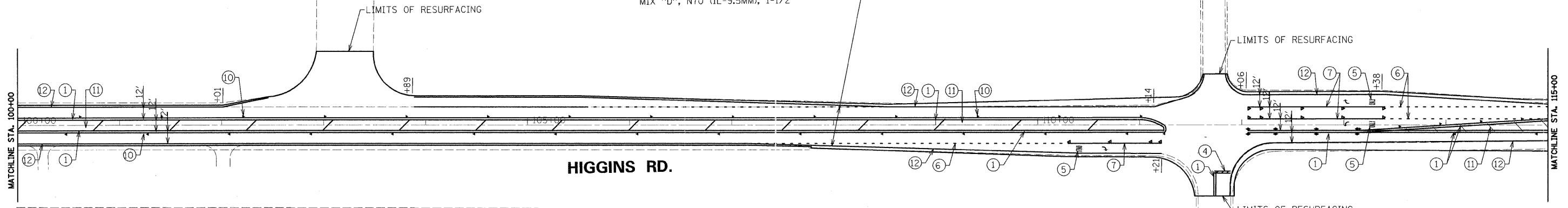


WESEMAN DR.

HOT MIX ASPHALT SURFACE REMOVAL, 2-1/4"
POLYMERIZED LEVELING BINDER
(MACHINE METHOD), IL-4.75, N50, 3/4"
HOT MIX ASPHALT SURFACE COURSE,
MIX "D", N70 (IL-9.5MM), 1-1/2"

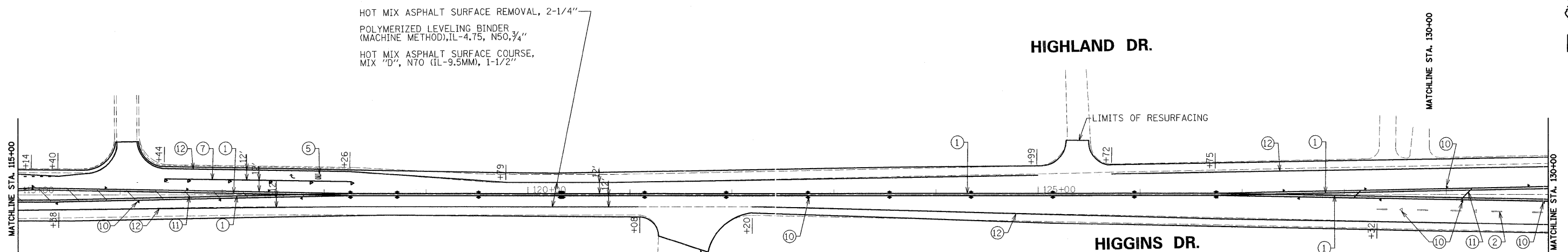


HIGGINS RD.

GALVIN DR.



HOT MIX ASPHALT SURFACE REMOVAL, 2-1/4"
POLYMERIZED LEVELING BINDER
(MACHINE METHOD), IL-4.75, N50, 3/4"
HOT MIX ASPHALT SURFACE COURSE,
MIX "D", N70 (IL-9.5MM), 1-1/2"



HIGHLAND DR.

HIGGINS DR.

THERMOPLASTIC PAVEMENT MARKING LEGEND

- ① 4" DOUBLE SOLID YELLOW LINE (11" C-C)
- ② 4" WHITE LANE LINE (10' LINE, 30' SPACE)
- ③ 6" SOLID WHITE LINE
- ④ 24" SOLID WHITE STOP BAR
- ⑤ LETTERS AND SYMBOLS
- ⑥ 6" DOTTED WHITE LINE (2' LINE, 6' SPACE)
- ⑦ 6" SOLID WHITE LANE LINE
- ⑧ 4" SINGLE SOLID YELLOW LINE
- ⑨ 4" YELLOW LANE LINE (10" LINE, 30' SPACE)
- ⑩ RAISED REFLECTIVE PAVEMENT MARKERS
- ⑪ 12" SOLID YELLOW DIAGONAL LINE, 45 DEGREES @ 75' O.C.
- ⑫ 4" WHITE EDGE LINE
- ⑬ 12" SOLID WHITE DIAGONAL LINE, 45 DEGREES @ 75' O.C.

- ◁ ONE-WAY CRYSTAL
- ▲ ONE-WAY AMBER
- ◆ TWO-WAY AMBER

PLT: 4/22/2008
FILE NAME: K:\12256561\proj\st_louis\04-21-08\higgins\sheet4.dwg
USER: JFREY
MODEL



200 West Front Street
Wheaton, IL 60187

DESIGNED - KSD	REVISED -
DRAWN - KSD	REVISED -
CHECKED - CMJ	REVISED -
DATE -	REVISED -

STATE OF ILLINOIS
DEPARTMENT OF TRANSPORTATION

HIGGINS ROAD
ROADWAY AND PAVEMENT MARKING PLAN

SCALE: 1" = 50' SHEET NO. 4 OF 9 SHEETS STA. 100+00 TO STA. 130+00

F.A.P. RTE. 341	SECTION 3077-RS	COUNTY KANE	TOTAL SHEETS 30	SHEET NO. 8
FED. ROAD DIST. NO. 1 ILLINOIS FED. AID PROJECT				CONTRACT NO. 60H35