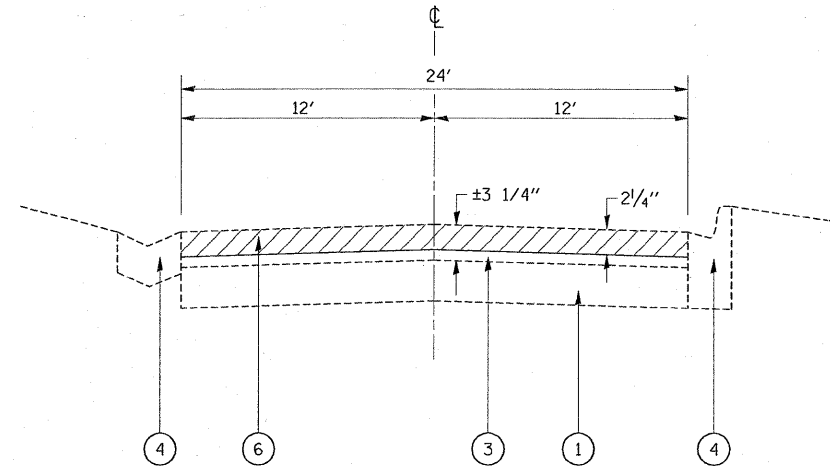
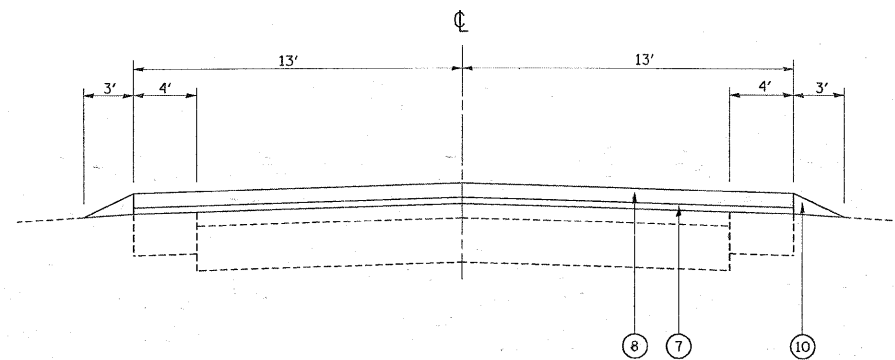


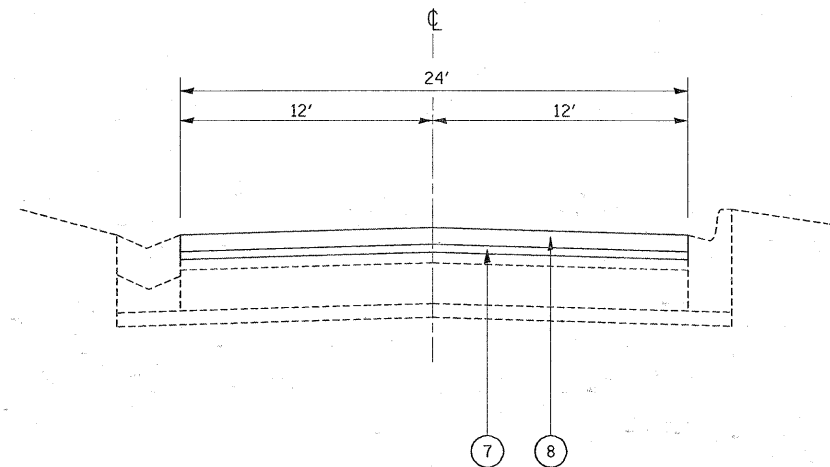
RIDGE ROAD  
EXISTING TYPICAL SECTION  
STA. 0+05 (AHEAD) TO STA. 35+13



RIDGE ROAD  
EXISTING TYPICAL SECTION  
STA. 35+13 TO STA. 43+39



RIDGE ROAD  
PROPOSED TYPICAL SECTION  
STA. 0+05 (AHEAD) TO STA. 35+13



RIDGE ROAD  
McLEAN AVE. TO WINNETKA ROAD  
PROPOSED TYPICAL SECTION  
STA. 35+13 TO STA. 43+39

**LEGEND**

- ① EXISTING P.C.C. PAVEMENT, ±9"
- ② EXISTING BASE COURSE WIDENING, 9"
- ③ EXISTING HMA SURFACE
- ④ EXISTING COMB. CURB & GUTTER
- ⑤ EXISTING AGGREGATE SHOULDER
- ⑥ PROPOSED HOT-MIX ASPHALT SURFACE REMOVAL, 2 1/4"
- ⑦ PROPOSED POLYMERIZED LEVELING BINDER (MACHINE METHOD), IL-4.75, N50, 3/4"
- ⑧ PROPOSED HOT-MIX ASPHALT SURFACE COURSE, MIX "D", N70, 1 1/2"
- ⑨ PROPOSED GRADING AND SHAPING SHOULDERS (LOCATIONS TO BE DETERMINED IN THE FIELD BY THE ENGINEER)
- ⑩ PROPOSED AGGREGATE WEDGE SHOULDER, TYPE "B" (LOCATIONS TO BE DETERMINED IN THE FIELD BY THE ENGINEER)

NOTE-  
PAVEMENT PATCHING SHALL BE DONE PRIOR TO ROADWAY MILLING UNLESS THERE IS 4 1/2 INCHES OR MORE OF HMA MATERIAL ON TOP OF THE EXISTING BASE COURSE. SEE DISTRICT DETAIL BD-22

FILE NAME = c:\pw_work\pwidot\SMITHKL\d0125891\Design.dgn	USER NAME = smthkl	DESIGNED -	REVISED -	<b>STATE OF ILLINOIS DEPARTMENT OF TRANSPORTATION</b>	<b>RIDGE RD. (WILMETTE AVE. TO WINNETKA RD.) EXISTING AND PROPOSED TYPICAL SECTIONS</b>	F.A.U. RTE. 3520	SECTION 2005-010RS	COUNTY COOK	TOTAL SHEETS 23	SHEET NO. 5	
PLOT SCALE = 50.0001' / IN.	CHECKED -	REVISED -	SCALE:			SHEET NO. OF SHEETS	STA. TO STA.	ILLINOIS FED. AID PROJECT CONTRACT NO. 62927			
PLOT DATE = 3/26/2009	DATE -	REVISED -									