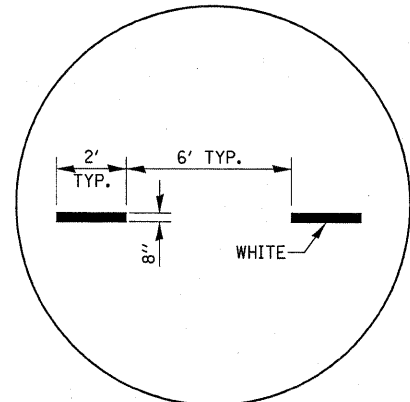
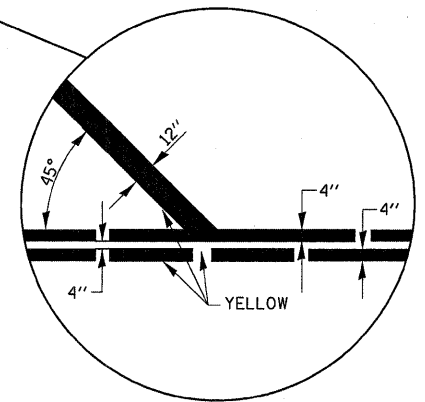
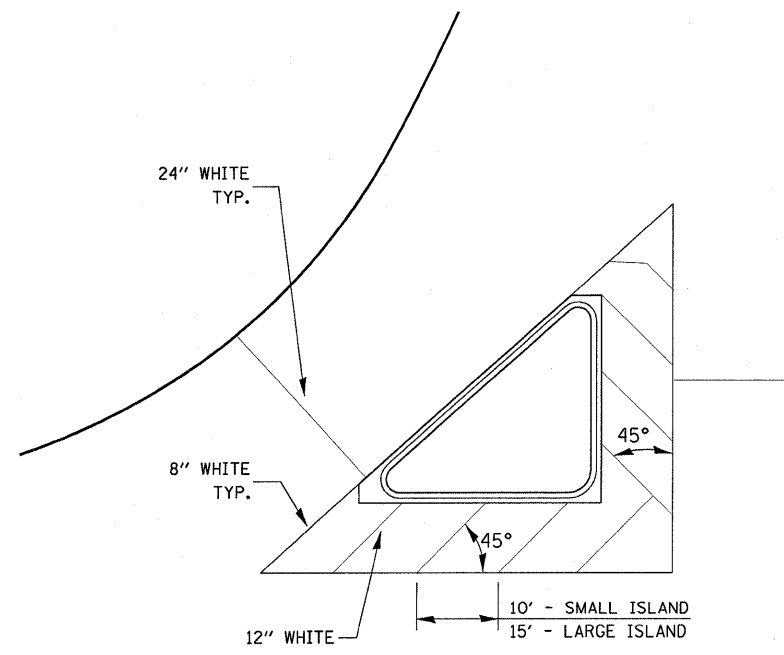


PRISMATIC REFLECTORS

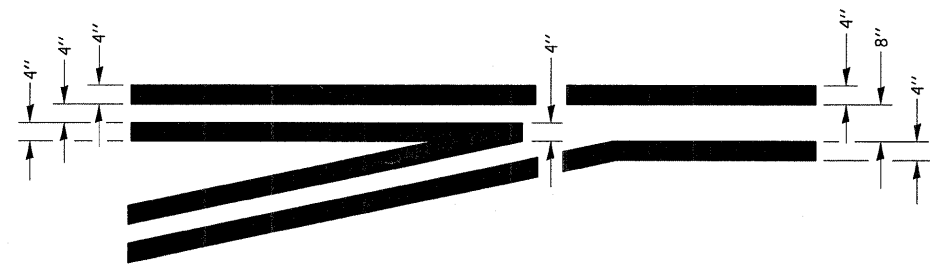
LEFT TURN LANE WITH APPROACH MEDIAN



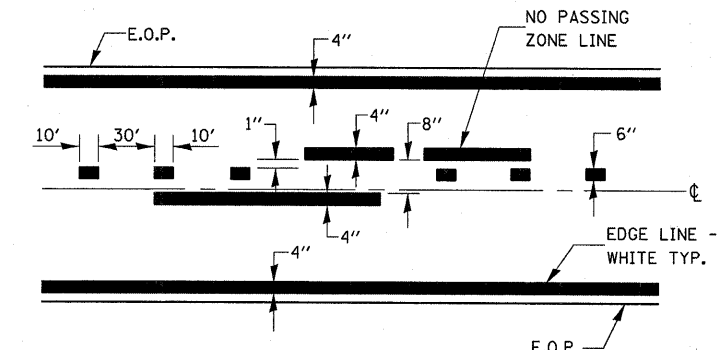
ADVANCE AND INTERSECTION LANE DIVIDER LINES



TYPICAL ISLAND



TYPICAL APPLICATION @ LEFT TURN LANES



PAVEMENT MARKING

FILE NAME =	USER NAME = lindemanns	DESIGNED -	REVISED -	STATE OF ILLINOIS DEPARTMENT OF TRANSPORTATION	DETAILS		F.A.S. RTE.	SECTION	COUNTY	TOTAL SHEETS	SHEET NO.
cd\pe_work\FW100T\LINDEMANNMS\dl0122862	3366969-sht-details.DGN	DRAWN -	REVISED -				250	(71,72)RS-6	LASALLE	12	11
	PLOT SCALE = 50.0000' / IN.	CHECKED -	REVISED -		CONTRACT NO. 66969						
	PLOT DATE = Mar 25, 2009 - 09:29:35 AM	DATE -	REVISED -		ILLINOIS FED. AID PROJECT						