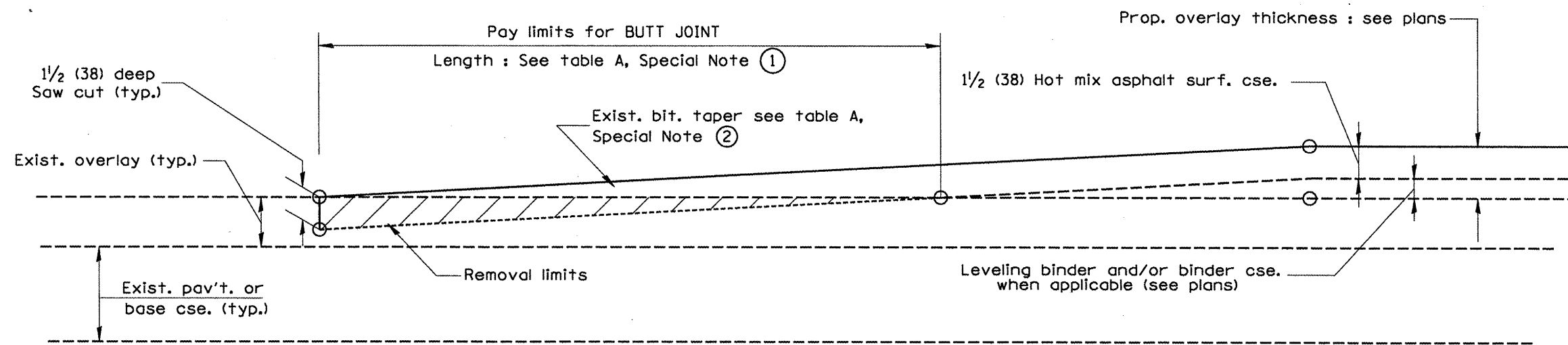
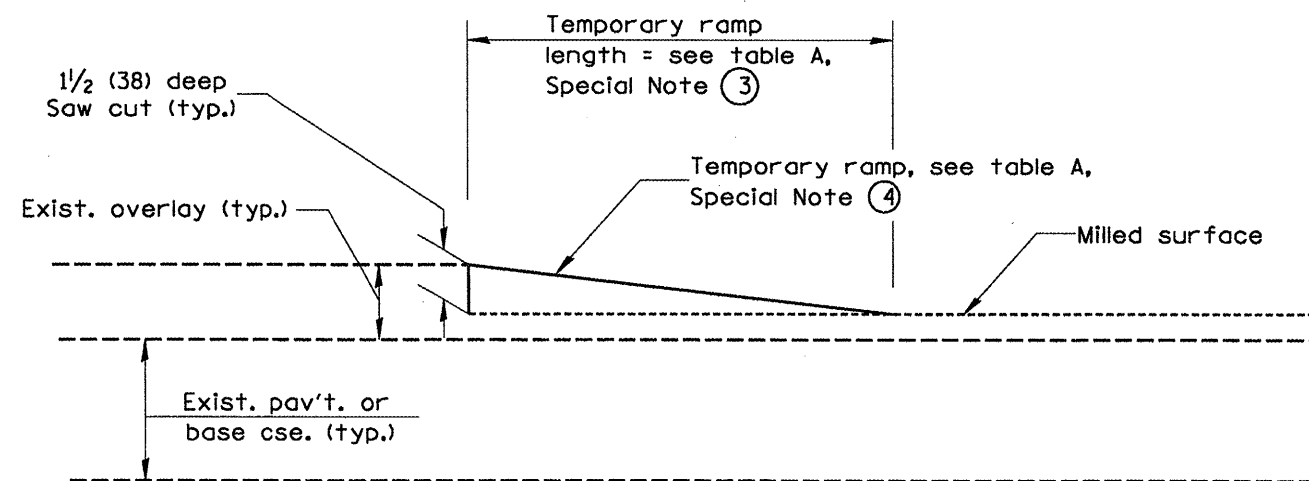


**CASE 3 : WITH HOT MIX ASPHALT SURFACE REMOVAL (COLD MILLING)
TIE-IN TO EXISTING BITUMINOUS TAPER**



**CASE 4 : NO HOT MIX ASPHALT SURFACE REMOVAL (COLD MILLING)
TIE-IN TO EXISTING BITUMINOUS TAPER**



DETAIL TEMPORARY RAMP

All dimensions are in inches (millimeters) unless otherwise noted.

STATE OF ILLINOIS DEPARTMENT OF TRANSPORTATION		BUTT JOINTS		F.A.P. RTE. 22		SECTION		COUNTY		TOTAL SHEETS NO.	
		NOT TO SCALE		SHI, 2 OF 3		Pearla		100 43		CONTRACT NO. 68890	
				C400.S10.406101-04		*108X.130.102IRS-3;129RS-4.10IRS-2		ILLINOIS		FED. AID PROJECT	