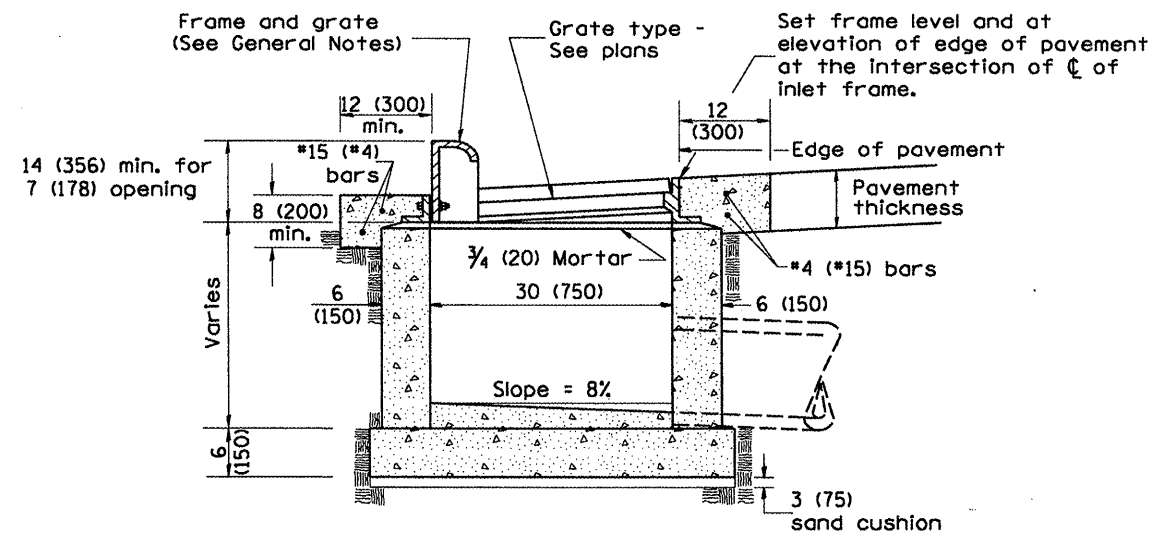
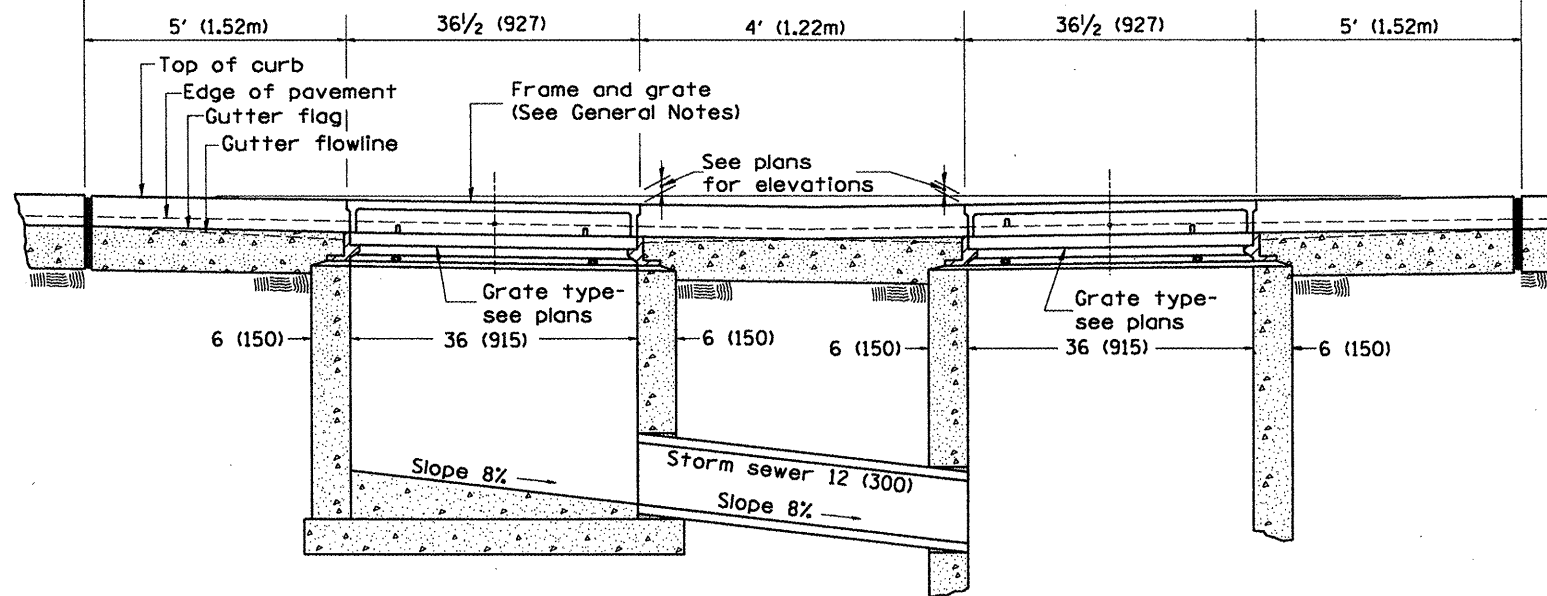


PLAN



ELEVATION (SIDE)



FRONT ELEVATION

GENERAL NOTES

1. Inlet construction shall be in accordance with Section 602 of the Standard Specifications.
2. Combination Concrete Curb & Gutter shall be constructed in accordance with Section 606 of the Standard Specifications.
3. See District CADD Standard 604001-D4 for frame and grates.

All dimensions are in inches (millimeters) unless otherwise noted.

01-01-97	BENUM_B-4.03_NEW_REVISION_BOX	J.P.	10-16-06	REVISED TO 2007 SPEC.	M.A.
04-01-97	CORRECT PAYI SLOPE	J.A.			
10-99	REVISION TO GENERAL NOTES	J.A.			
02-00	REVISION TO DESIGNER NOTES	J.A.			

STATE OF ILLINOIS
DEPARTMENT OF TRANSPORTATION

INLETS, TYPE G-1 DOUBLE

NOT TO SCALE

CADD STD. 602011-04

F.A.P. RTE.	SECTION	COUNTY	TOTAL SHEETS	SHEET NO.
22	*	Peoria	100	45
*110B,130,102IRS-3;129RS-4,101RS-2		CONTRACT NO. 68890		
FED. ROAD DIST. NO.		ILLINOIS FED. AID PROJECT		