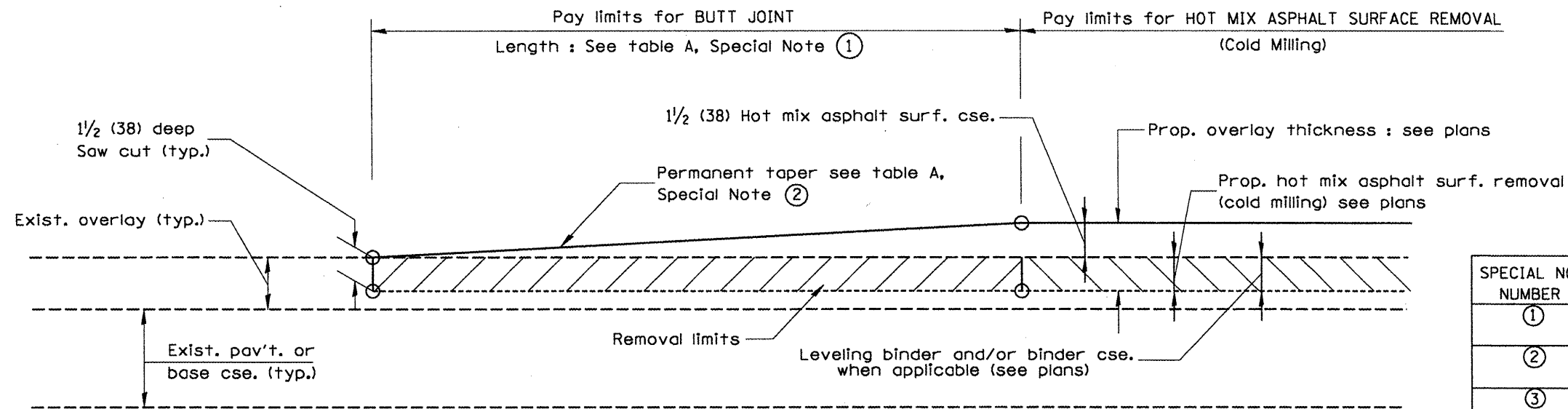


DESIGNER NOTES:  
 1. Include District Special Provision for Butt Joints & for Hot Mix Asphalt Removal (Cold Milling).  
 2. The butt joints pay item includes the saw cut & temporary ramp. Payment for the Butt Joint applies whether or not the project features Hot Mix Asphalt Removal (Cold Milling).



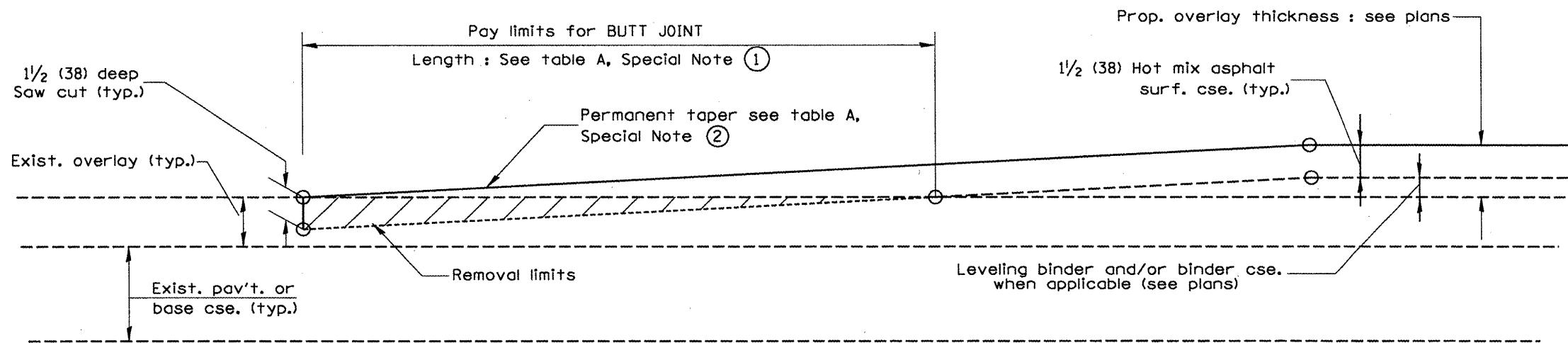
**CASE 1 : WITH HOT MIX ASPHALT SURFACE REMOVAL (COLD MILLING)**

**TABLE A**  
(LENGTHS AND TAPER RATES)

SPECIAL NOTE NUMBER	ELEMENT	MAINLINE INTERSTATES & 4-LANE EXPRESSWAYS	ALL OTHERS
①	LENGTH OF BUTT JOINT	60'(18.0 m)	30'(9.0 m)
②	PERMANENT TAPER RATE	1:480	1:240
③	TEMPORARY RAMP TAPER RATE	1:80	1:40
④	TEMPORARY RAMP LENGTH	10'(3.0 m)	5'(1.5 m)
⑤	LENGTH OF BUTT JOINT	10'(3.0 m)	10'(3.0 m)

**GENERAL NOTES**

- The work shall be done in accordance with Article 406.08 and the Special Provision for Butt Joints.
- The pavement surface to be removed may be either bituminous or P.C. concrete. The work shall be performed in accordance with Article 440.04 and the Special Provisions for Butt Joints.
- The saw cut joints shall be primed just prior to the placing of bituminous material. The work will be in accordance with the applicable portions of Article 406.05.



**CASE 2 : NO HOT MIX ASPHALT SURFACE REMOVAL (COLD MILLING)**

All dimensions are in inches (millimeters) unless otherwise noted.

01-01-97	BENUM. C-23.01. NEW REVISION BOX	J.P.		
04-01-97	CORRECTION TO DEPTH	J.P.		
09-15-05	REVISED DESIGNER NOTE	M.M.A.		
10-16-05	REVISED TO 2007 SPEC.	M.A.		

STATE OF ILLINOIS  
DEPARTMENT OF TRANSPORTATION

BUTT JOINTS

NOT TO SCALE

SHI. 1 OF 3  
CADD SIG. 406101-04

F.A.P. RTE.	SECTION	COUNTY	TOTAL SHEETS	SHEET NO.
VAR		PEORIA	100	92
1108X130102RS-3129RS-4101RS-2		CONTRACT NO. 68890		
FED. ROAD DIST. NO. 4 (ILLINOIS) FED. AID PROJECT				