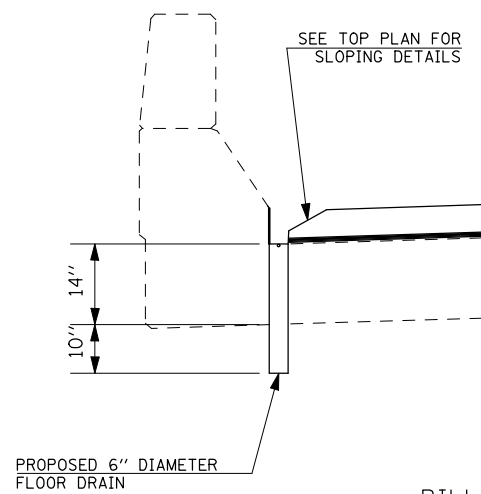
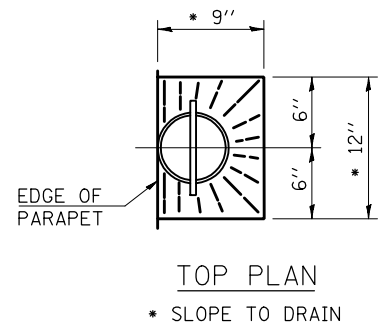
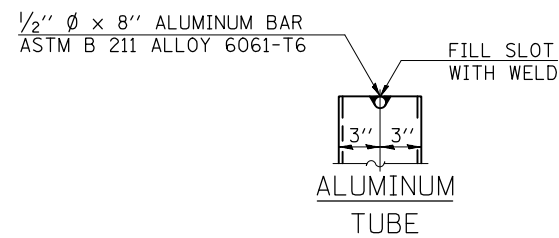
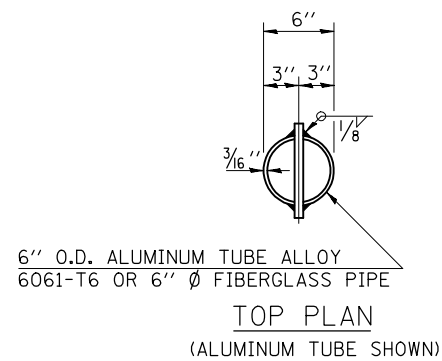
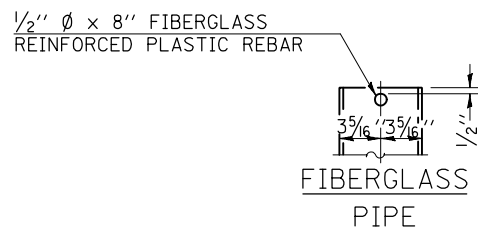
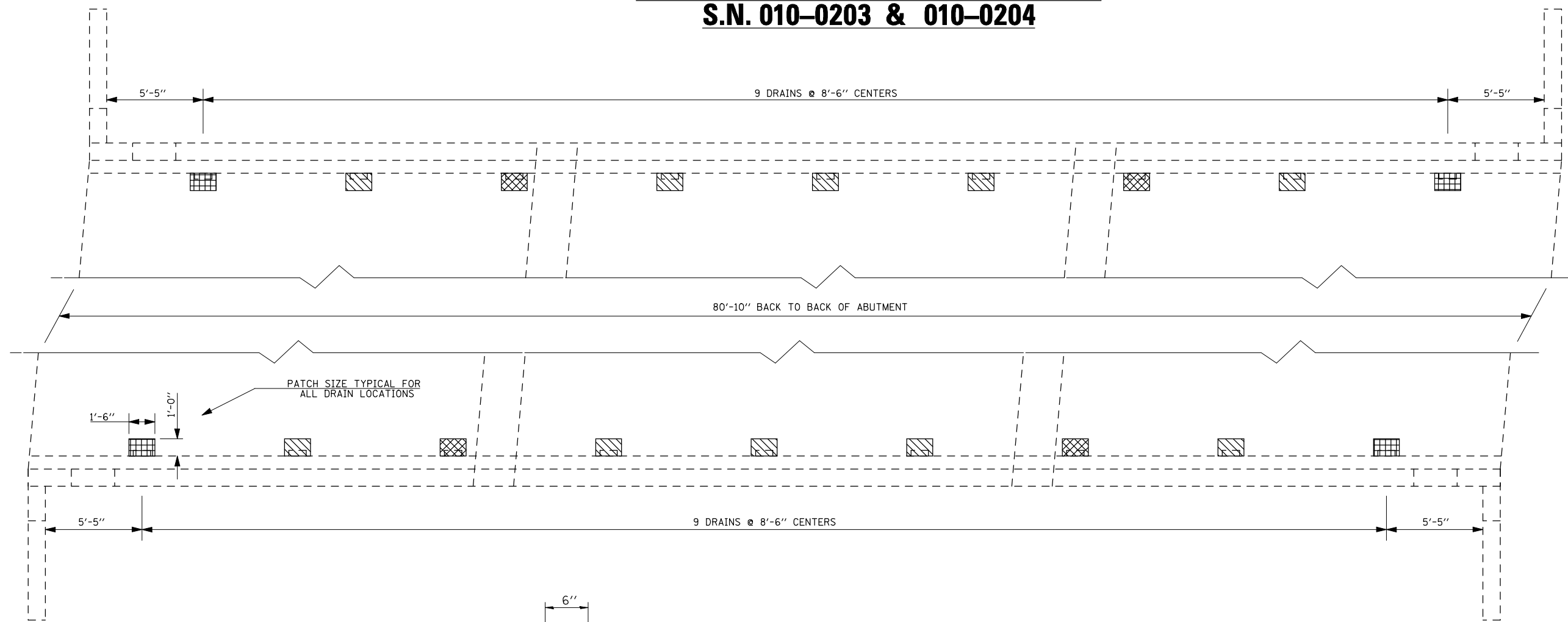


F.A.I. RTE.	SECTION	COUNTY	TOTAL SHEETS	SHEET NO.
72	.	**	104	70

• 74(10-70)RS-3 & (10-71,73)RS-2
 ** PIATT & CHAMPAIGN

PATCHING PLAN & DRAIN DETAILS

S.N. 010-0203 & 010-0204



LEGEND

	PREVIOUSLY PLUGGED DRAINS TO BE ELIMINATED
	EXISTING DRAINS TO BE ELIMINATED
	EXISTING DRAINS TO BE REPLACED

NOTES

EXISTING AND PREVIOUSLY PLUGGED DRAINS TO BE ELIMINATED SHALL BE PAID FOR AS DECK SLAB REPAIR (FULL DEPTH, TYPE 1).

AREAS OF PARTIAL DEPTH PATCHING ARE ESTIMATED. THE ACTUAL QUANTITY AND LOCATION SHALL BE DETERMINED BY THE ENGINEER AFTER THE EXISTING WEARING SURFACE AND WATERPROOFING MEMBRANE ARE REMOVED.

FIBERGLASS PIPE FOR FLOOR DRAINS SHALL CONFORM TO ASTM D 2996, WITH A SHORT-TIME RUPTURE STRENGTH HOOP TENSILE STRESS OF 30,000 P.S.I. MINIMUM.

BILL OF MATERIALS - TWO STRUCTURES

ITEM	UNIT	TOTAL
DECK SLAB REPAIR (FULL-DEPTH, TYPE 1)	SQ YD	6.0
DECK SLAB REPAIR, PARTIAL DEPTH	SQ YD	35.0
FLOOR DRAINS	EACH	20.0

ILLINOIS DEPARTMENT OF TRANSPORTATION
PATCHING PLAN AND DRAIN DETAILS
S.N. 010-0203 & 010-0204

F.A.I. ROUTE 72
 SECTION 74(10-70)RS-3&(10-71,73)RS-2
 SCALE: NONE PIATT/CHAMP. CO. DRAWN BY: GMS

DATE: 04-03-09 CHECKED BY:

4/14/2009
 cd:\p\work\PIATT\SHERER\JM\0112995\70025\0203\0204\Sherer.dgn
 42.3629 / IN
 USER NAME: sherer_jm