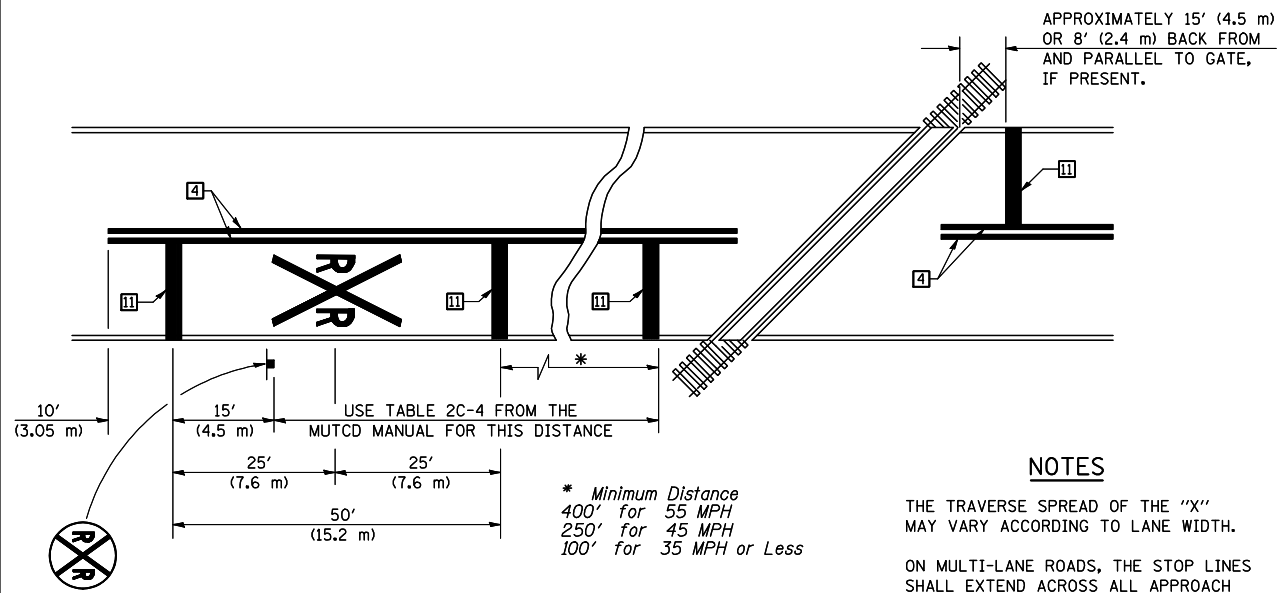


| F.A. RTE. | SECTION | COUNTY | TOTAL SHEETS | SHEET NO. |
|-----------|---------|--------|--------------|-----------|
| 72 | | | 104 | 104 |

• 74(10-70)RS-3 & (10-71,73)RS-2
 • PIATT & CHAMPAIGN

RAILROAD CROSSING WITH INTERCONNECT ONLY

RAILROAD CROSSING WITH INTERCONNECT AND PRE-SIGNALS



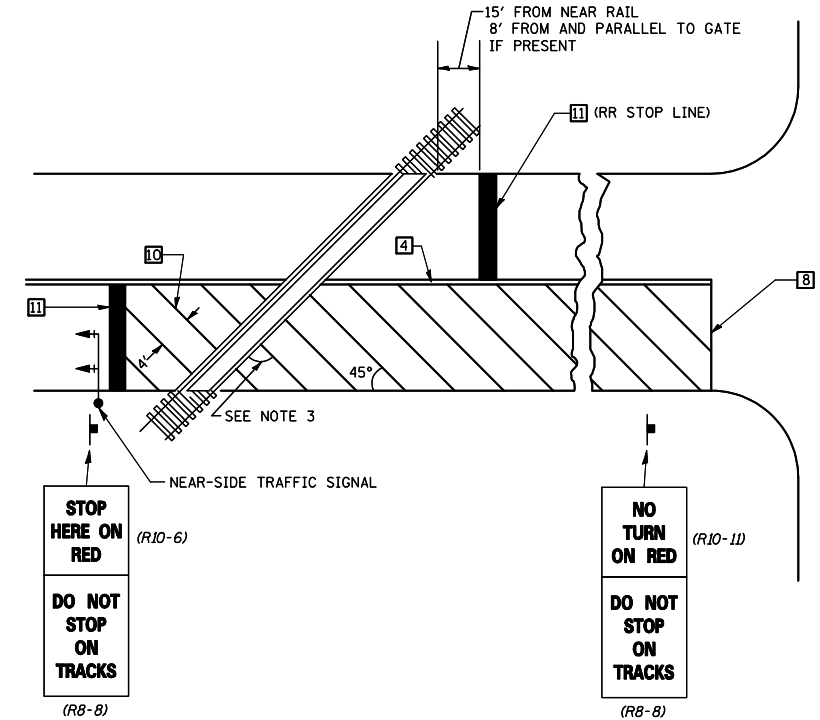
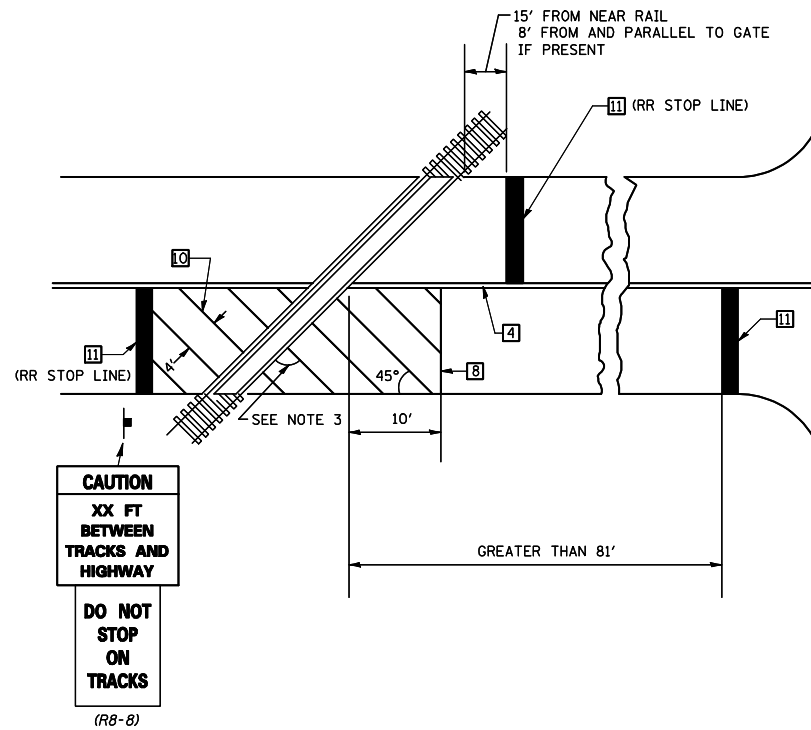
PAVEMENT MARKINGS AT RAILROAD-HIGHWAY GRADE CROSSING

NOTES

THE TRAVERSE SPREAD OF THE "X" MAY VARY ACCORDING TO LANE WIDTH.

ON MULTI-LANE ROADS, THE STOP LINES SHALL EXTEND ACROSS ALL APPROACH LANES AND SEPARATE RXR SYMBOLS SHALL BE PLACED ADJACENT TO EACH OTHER IN EACH LANE.

WHEN THE PAVEMENT MARKING SYMBOL IS USED, A PORTION OF THE SYMBOL SHOULD BE LOCATED DIRECTLY ADJACENT TO THE ADVANCE WARNING SIGN (W10-1) AS PLACED BY TABLE II-1, CONDITION B OF THE MUTCD.

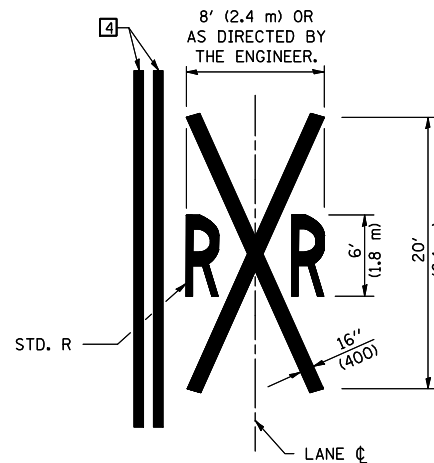


SUPPLEMENTAL PAVEMENT MARKING TREATMENT FOR RAILROAD-HIGHWAY GRADE CROSSING

GENERAL NOTES

- SUPPLEMENTAL PAVEMENT MARKINGS TO BE INSTALLED ONLY ON APPROACHES TO INTERSECTIONS CONTROLLED BY TRAFFIC SIGNALS WHICH ARE INTERCONNECTED WITH THE RAILROAD WARNING SIGNALS.
- EXTEND PAVEMENT MARKINGS TO THE INTERSECTION ONLY WHERE NEAR-SIDE TRAFFIC SIGNALS ARE USED.
- WHERE THE ANGLE BETWEEN THE DIAGONAL PAVEMENT MARKINGS AND THE TRACK WOULD BE LESS THAN 20°, THE PAVEMENT MARKINGS SHOULD BE PLACED IN THE OPPOSITE DIRECTION FROM THAT SHOWN.

Note: All dimensions are in INCHES (millimeters) unless otherwise shown.



| DATE | REVISIONS | NAME |
|-------|------------------------|------|
| 11/06 | REPLACED DETAIL F-5.25 | TJB |
| | | |
| | | |
| | | |
| | | |
| | | |

| |
|---|
| ILLINOIS DEPARTMENT OF TRANSPORTATION |
| PAVEMENT MARKING AND MARKERS (RURAL & URBAN APPLICATIONS) |
| DISTRICT 5 DETAIL NO. 7800AAAA |

DESIGNER NOTE:

PLOT DATE = 4/13/2009
 FILE NAME = c:\p\work\p\11001\SHERER\JM.d0112995\7800250\text\11\Sherer.dgn
 PLOT SCALE = 42,3629 / IN.
 USER NAME = sherer_jm