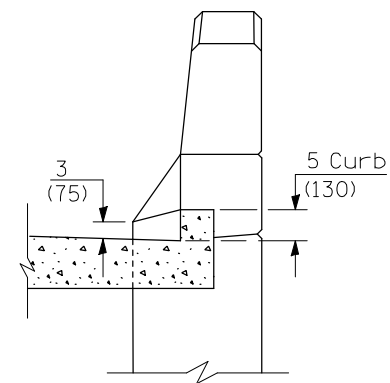
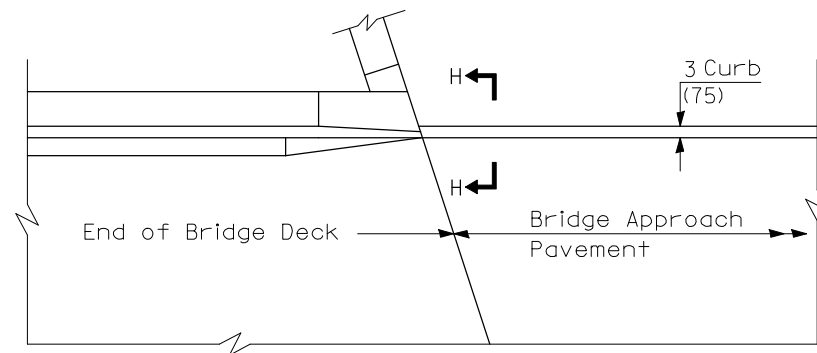


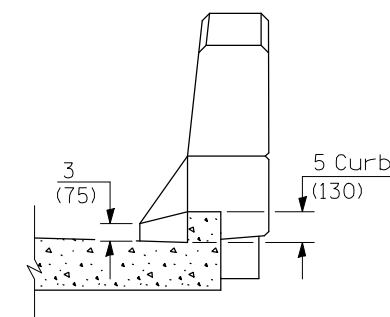
PARAPET TO CURB TRANSITION
PILE BENT ABUTMENT



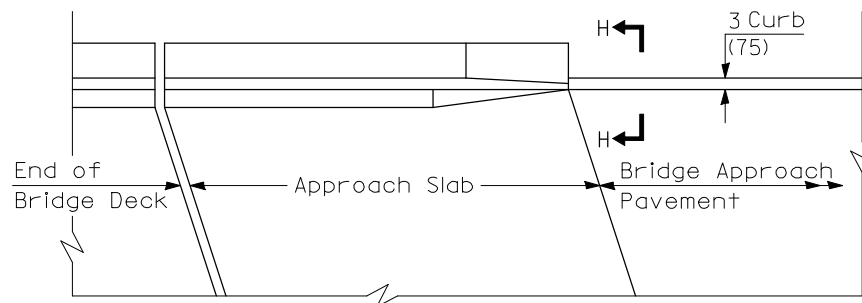
SECTION I - I



PARAPET TO CURB TRANSITION
INTEGRAL ABUTMENT



SECTION H - H



PARAPET TO CURB TRANSITION
VAULTED ABUTMENT

BRIDGE APPROACH PAVEMENT DETAIL		F.A.I. RTE.	SECTION	COUNTY	TOTAL SHEETS	SHEET NO.
SCALE:		74	(57-22B-1)BR	MCLEAN	46	40
SHEET NO. 4 OF 4 SHEETS		STA. TO STA.		CONTRACT NO. 70721		
ILLINOIS FED. AID PROJECT						