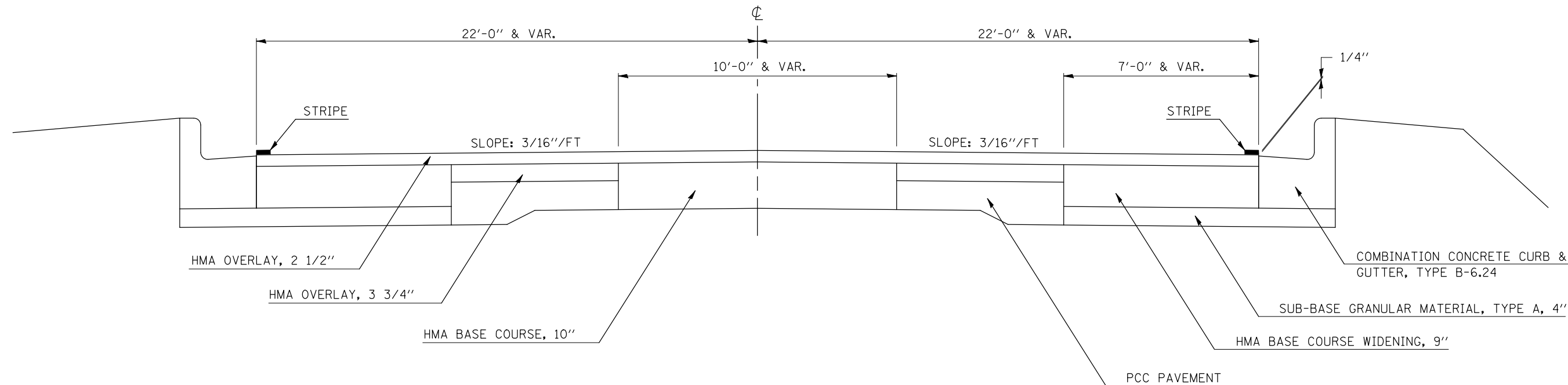


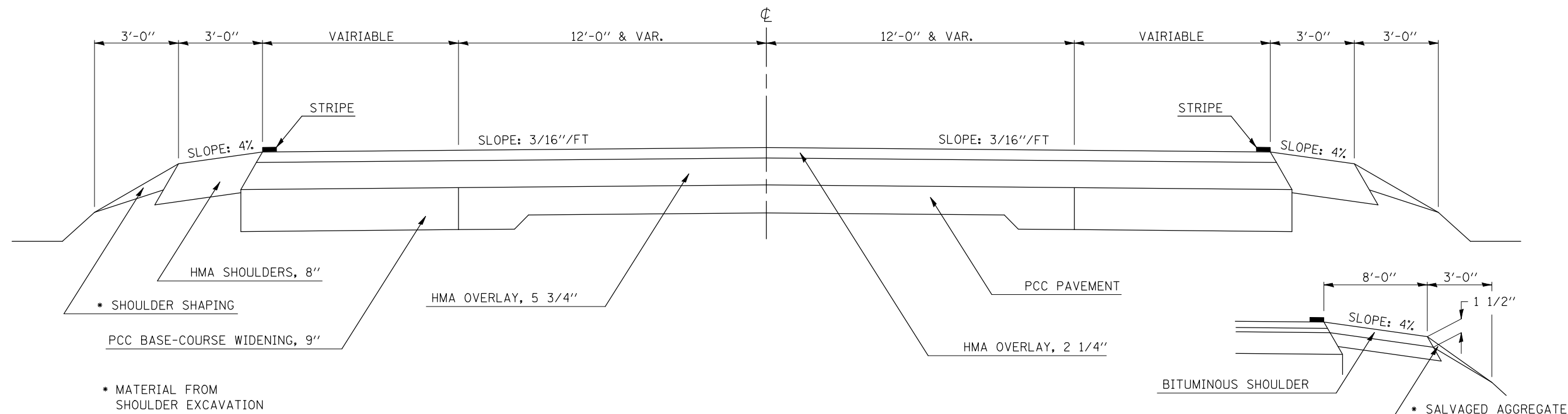
7 EXISTING TYPICAL CROSS SECTION

STATION TO STATION
 (SN 092-0192 OMISSION) 1097+45.50 1108+64.00 ⑧



8 EXISTING TYPICAL CROSS SECTION

STATION TO STATION
 ⑦ 1108+64.00 1115+50.00 ⑨



SHOULDER RESURFACING
 (RT.) STA. 1108+58 TO STA. 1112+10

FILE NAME =	USER NAME = piersonbr	DESIGNED -	REVISED -
ct:\pw\work\PIWIDOT\PIERSONBR\d0115224\05764-sh-typical.dgn		DRAWN -	REVISED -
PLOT SCALE = 40.0000 ' / IN.		CHECKED -	REVISED -
PLOT DATE = 4/10/2009		DATE -	REVISED -

**STATE OF ILLINOIS
 DEPARTMENT OF TRANSPORTATION**

EXISTING TYPICAL CROSS SECTIONS

SCALE: SHEET NO. OF SHEETS STA. TO STA.

F.A.P. RTE.	SECTION	COUNTY	TOTAL SHEETS	SHEET NO.
697	2RS-3&4RS-8	Vermillion	43	9
ILLINOIS FED. AID PROJECT			CONTRACT NO. 70764	