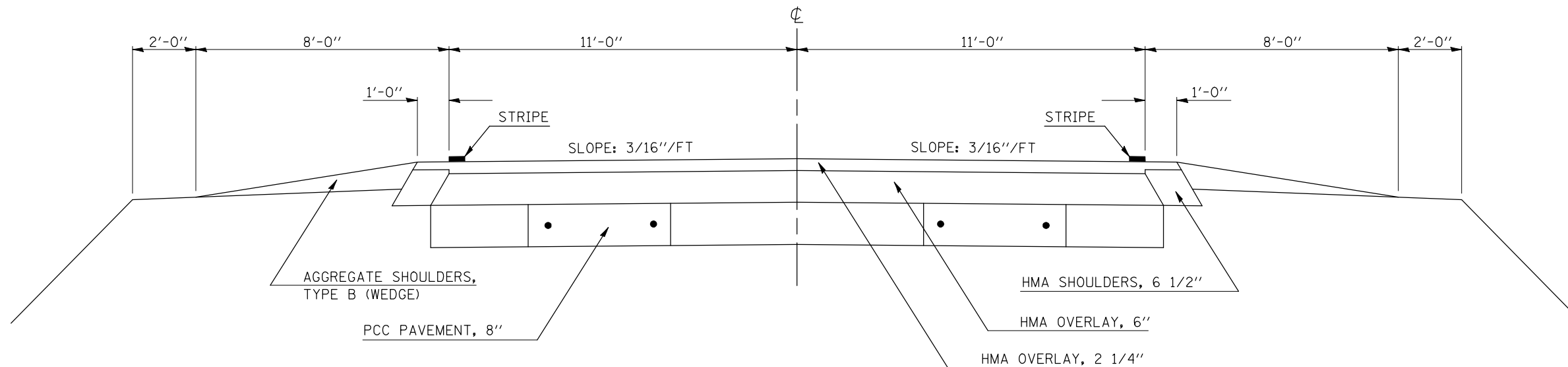


11 EXISTING TYPICAL CROSS SECTION

STATION TO STATION
 1189+10.50 1207+00.00



FILE NAME =	USER NAME = piersonbr	DESIGNED -	REVISED -
ct:\pw\work\PIWIDOT\PIERSONBR\d0115224\05	0764-shr-typical.dgn	DRAWN -	REVISED -
	PLOT SCALE = 40.0000' / IN.	CHECKED -	REVISED -
	PLOT DATE = 4/10/2009	DATE -	REVISED -

**STATE OF ILLINOIS
 DEPARTMENT OF TRANSPORTATION**

EXISTING TYPICAL CROSS SECTIONS

SCALE: SHEET NO. OF SHEETS STA. TO STA.

F.A.P. RTE.	SECTION	COUNTY	TOTAL SHEETS	SHEET NO.
697	2RS-3&4RS-8	Vermilion	43	11
ILLINOIS FED. AID PROJECT			CONTRACT NO. 70764	