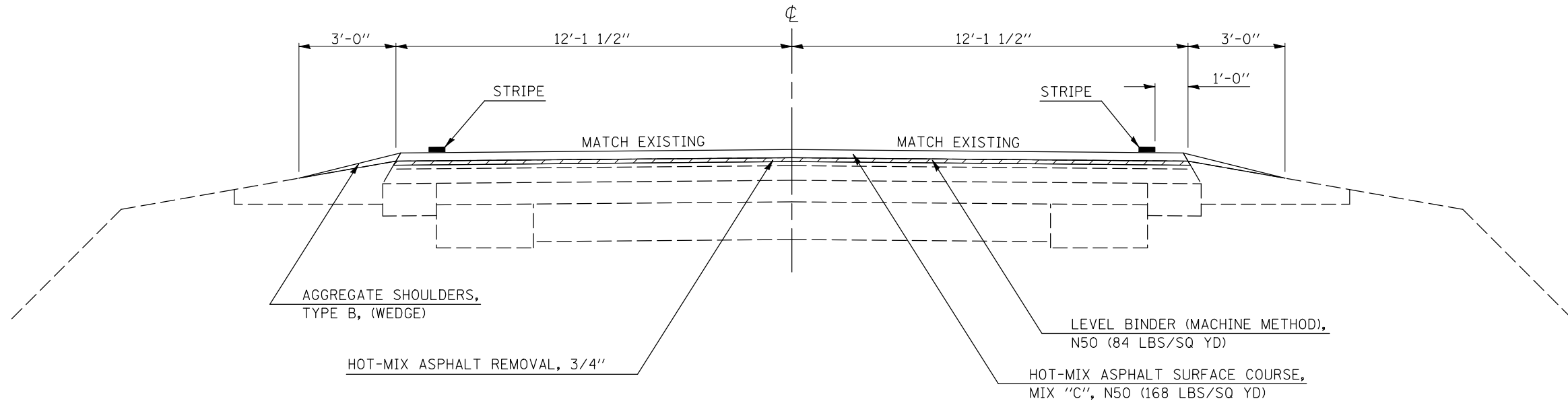


OMISSION:
 IL 49 INTERSECTION
 STA. 520+67.00 TO STA. 524+14.00

1 PROPOSED TYPICAL CROSS SECTION

STATION	TO	STATION
417+78.00		418+36.50 (FORD CO. LINE)
418+35.50		455+25.00 ②
② 458+65.00		520+67.00 (IL 49 OMISSION)



OMISSION:
 S.N. 092-2022
 STA. 879+11.50 TO STA. 879+93.50

2 PROPOSED TYPICAL CROSS SECTION

STATION	TO	STATION	STATION	TO	STATION
① 455+25.00		458+65.00 ①	③ 997+80.00		1019+00.00 ③
⑥ 816+00.00		824+00.00 ⑥	③ 1022+00.00		1036+00.00 ③
⑥ 848+00.00		857+00.00 ⑥	③ 1049+00.00		1057+00.00 ③
⑥ 875+00.00		879+11.50 (SN 010-2022 OMISSION)	③ 1059+00.00		1067+00.50 ③
③ 964+00.00		973+00.00 ③	③ 1075+00.00		1093+00.00 ③

