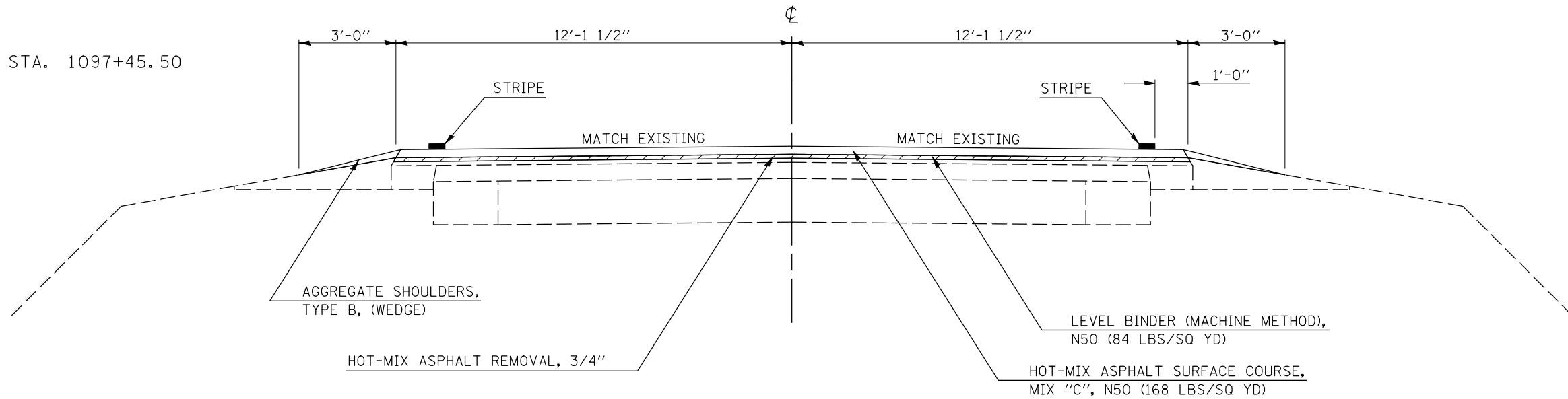


3 PROPOSED TYPICAL CROSS SECTION

OMISSIONS:	(IL 49 OMISSION)	STATION	TO	STATION		STATION	TO	STATION	
S. N. 092-0045		④ 524+14.00		584+50.00	④	② 1019+00.00		1022+00.00	②
STA. 714+58.50 TO STA. 715+61.50		④ 687+25.00		688+50.00	⑤	② 1036+00.00		1049+00.00	②
		⑤ 693+75.00		812+00.00	⑥	② 1057+00.00		1059+00.00	②
		879+93.50		881+85.00	⑥	② 1067+00.00		1075+00.50	②
S. N. 092-0046		⑥ 884+00.00		964+00.00	②	② 1093+00.00		1096+21.50	(S. N. 092-0192 OMISSION)
STA. 804+07.50 TO STA. 804+72.50		② 973+00.00		997+80.00	②				
S. N. 092-0192									
STA. 1096+21.50 TO STA. 1097+45.50									



4 PROPOSED TYPICAL CROSS SECTION

OMISSION:		STATION	TO	STATION	
S. N. 092-0043		③ 584+50.00		624+66.50	(SN 092-0043 OMISSION)
STA. 624+66.50 TO STA. 625+42.50		625+42.50		687+25.00	③

