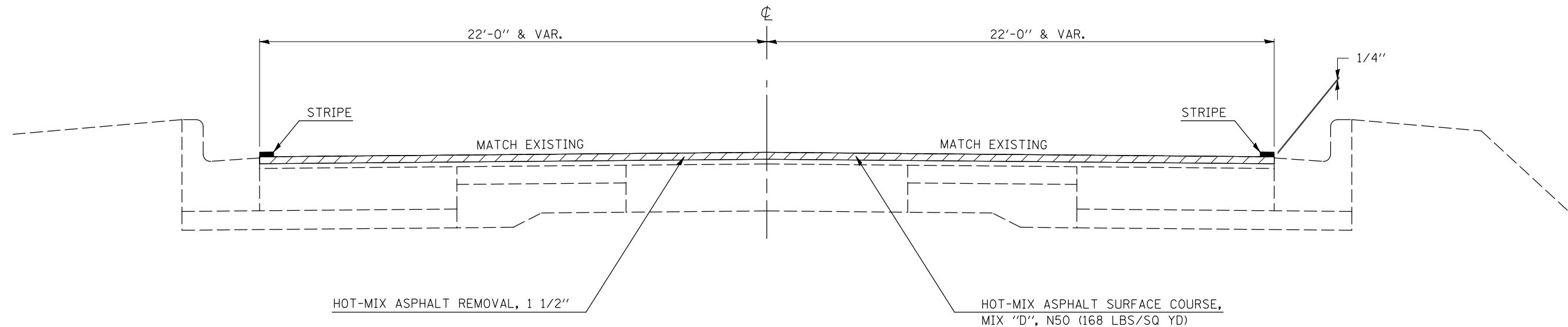


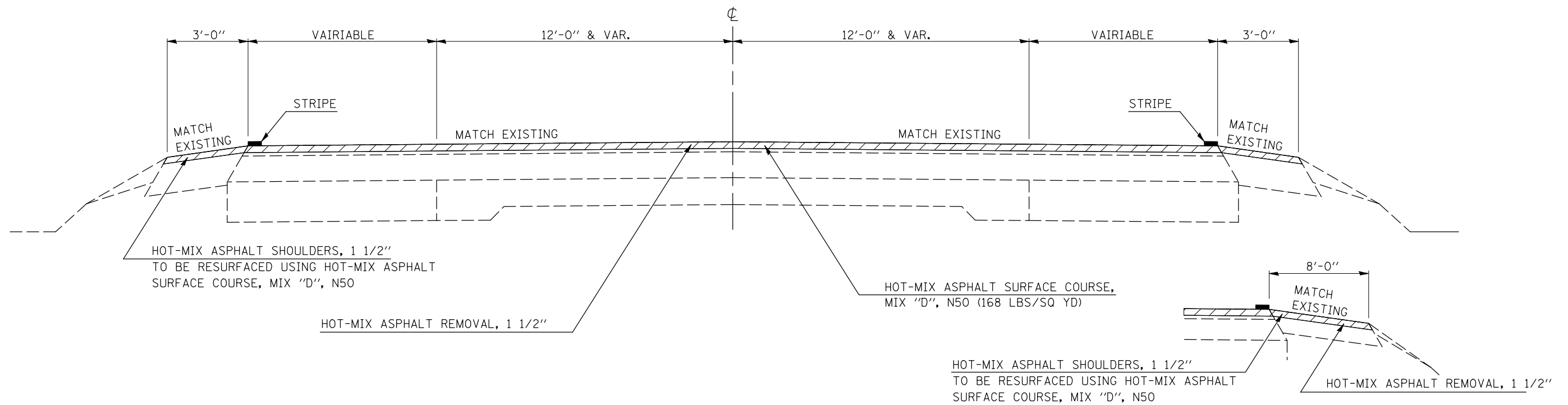
**7 PROPOSED TYPICAL CROSS SECTION**

STATION TO STATION  
 (SN 092-0192 OMISSION) 1097+45.50 1108+64.00 ⑧



**8 PROPOSED TYPICAL CROSS SECTION**

STATION TO STATION  
 ⑦ 1108+64.00 1115+50.00 ⑨



SHOULDER RESURFACING  
 (RT.) STA. 1108+58 TO STA. 1112+10

FILE NAME =	USER NAME = ppersonbr	DESIGNED -	REVISED -
ct\pwork\PIWIDOT\PIERSONBR\d0115224\05764-sh-typical.dgn		DRAWN -	REVISED -
PLOT SCALE = 40.0000' / IN.		CHECKED -	REVISED -
PLOT DATE = 4/10/2009		DATE -	REVISED -

**STATE OF ILLINOIS  
 DEPARTMENT OF TRANSPORTATION**

**PROPOSED TYPICAL CROSS SECTIONS**

SCALE: SHEET NO. OF SHEETS STA. TO STA.

F.A.P. RTE.	SECTION	COUNTY	TOTAL SHEETS	SHEET NO.
697	2RS-3&4RS-8	Vermilion	43	15
CONTRACT NO. 70764			ILLINOIS FED. AID PROJECT	