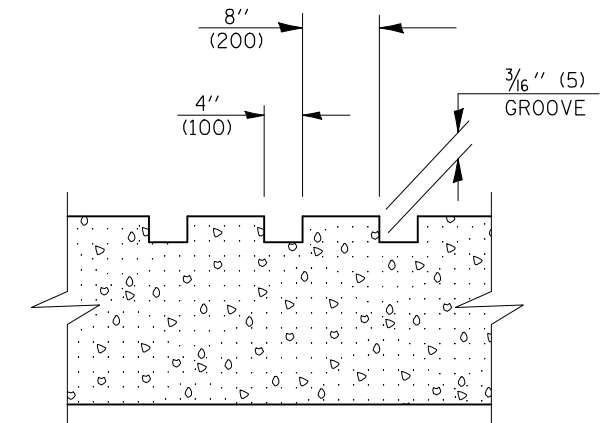
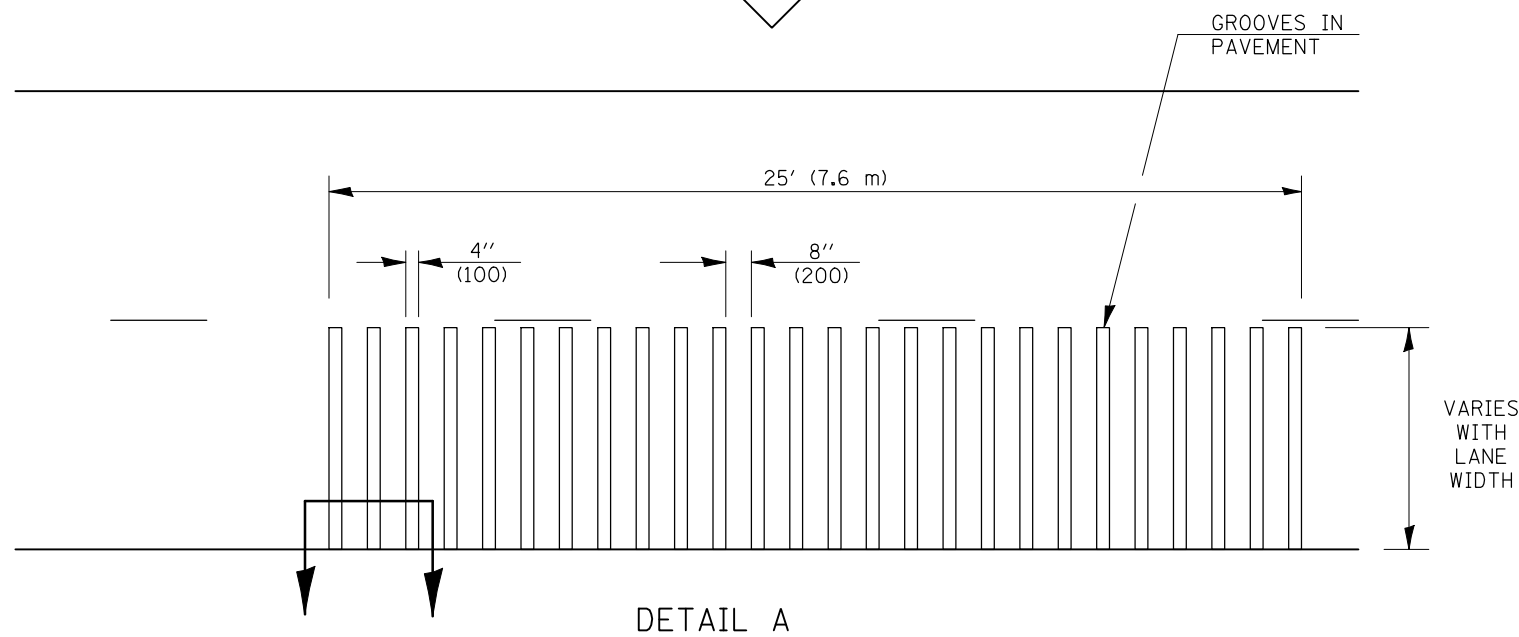


**GENERAL NOTES**

1. ALL GROOVES SHALL BE CONSTRUCTED USING A 4" (100 mm) MILLING HEAD OR SERIES OF 4" (100 mm) MILLING HEADS CAPABLE OF CUTTING TO THE SPECIFIED DEPTH OR ANY VARIABLE DEPTH.
2. THIS WORK WILL BE MEASURED FOR PAYMENT PER EACH 25' (7.6 m) INDIVIDUAL RUMBLE STRIP APPLIED AND PAID FOR AT THE CONTRACT UNIT PRICE EACH FOR RUMBLE STRIP, WHICH PRICE SHALL INCLUDE ALL EQUIPMENT, MATERIAL, LABOR AND OTHER ITEMS REQUIRED TO INSTALL EACH INDIVIDUAL RUMBLE STRIP.



Note: All dimensions are in INCHES (millimeters) unless otherwise shown.

**DISTRICT 5 DETAIL NO. Z0055300**

FILE NAME =	USER NAME = ppersonbr	DESIGNED -	REVISED - 11/06
ct:\pw\work\PIWIDOT\PIERSONBR\d0115224\05764-shr-details.dgn		DRAWN -	REVISED -
	PLOT SCALE = 40.0000' / IN.	CHECKED -	REVISED -
	PLOT DATE = 4/10/2009	DATE -	REVISED -

**STATE OF ILLINOIS  
DEPARTMENT OF TRANSPORTATION**

**RUMBLE STRIP (ADVANCE OF INTERSECTIONS)**

SCALE: SHEET NO. OF SHEETS STA. TO STA.

F.A.P. RTE.	SECTION	COUNTY	TOTAL SHEETS	SHEET NO.
697	ZRS-3&4&6RS-8	Vermillion	43	42
CONTRACT NO. 70764				
FED. ROAD DIST. NO. ILLINOIS FED. AID PROJECT				