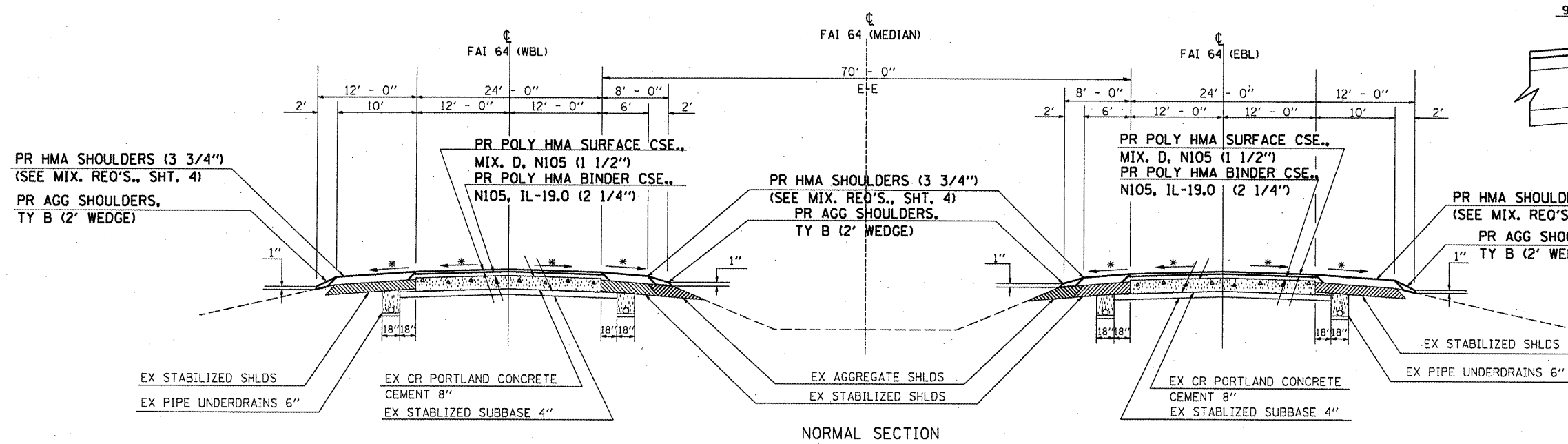
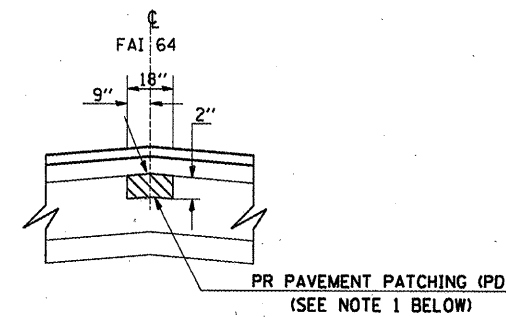


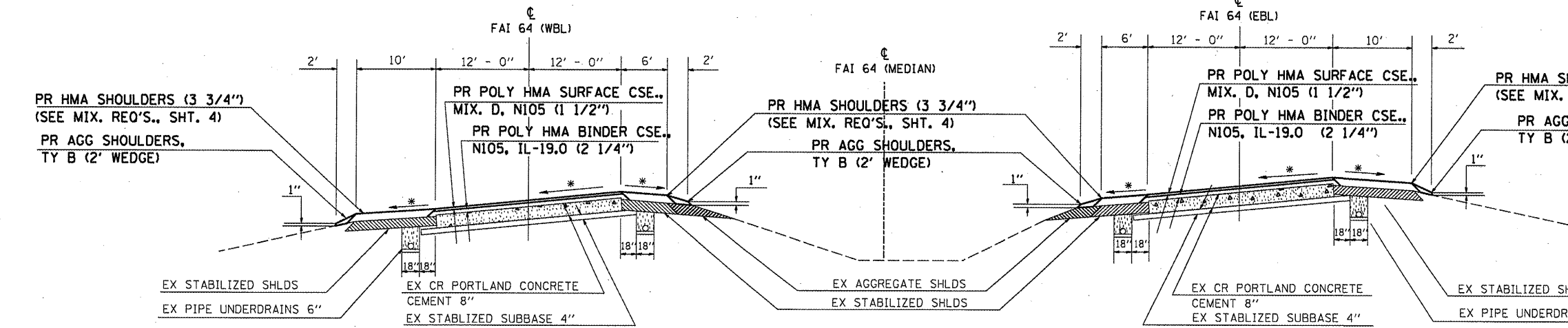
FAI 64 TYPICAL SECTIONS MAINLINE

DETAIL FOR MILLING
AT CENTERLINE

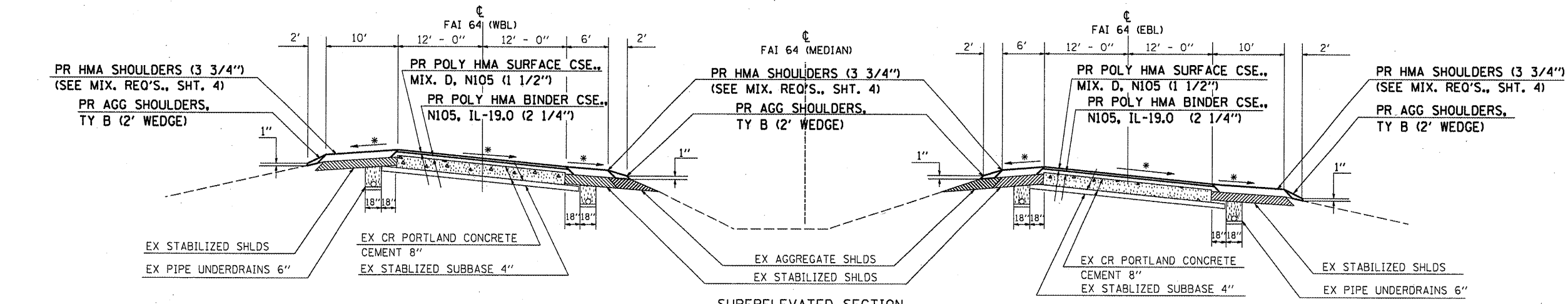


NORMAL SECTION

NOTE 1:
THE PAVEMENT PATCHING (PARTIAL DEPTH) PAY ITEM INCLUDES PAVEMENT REMOVAL (2"), HMA SURFACE CSE., MIX. C, N90 AND INCLUDES ANY OTHER WORK NEEDED TO COMPLETE THIS OPERATION. THIS SHALL BE DONE AS DIRECTED BY THE ENGINEER IN THE FIELD.



SUPERELEVATED SECTION
BANK TO LEFT



SUPERELEVATED SECTION
BANK TO RIGHT

* MATCH EXISTING SLOPE

FILE NAME =	USER NAME = mcoorakr	DESIGNED -	REVISED -	STATE OF ILLINOIS DEPARTMENT OF TRANSPORTATION	--- TYPICALS --- MAINLINE ---	F.A.I. RTE.	SECTION	COUNTY	TOTAL SHEETS	SHEET NO.	
at:\pwwork\pwi001\MCCORDKR\dms58145.dgn	8899-shr-misc.dgn	DRAWN -	REVISED -			.64	(41:9.41:9:1185:1	JEEEBSON	47	47	
PLOT SCALE = 1/8" = 1' IN.	CHECKED -	REVISED -	REVISED -			CONTRACT NO. 78099					
PLOT DATE = 2/25/2009	DATE -	REVISED -	REVISED -			FED. ROAD DIST. NO. ILLINOIS FED. AID PROJECT					