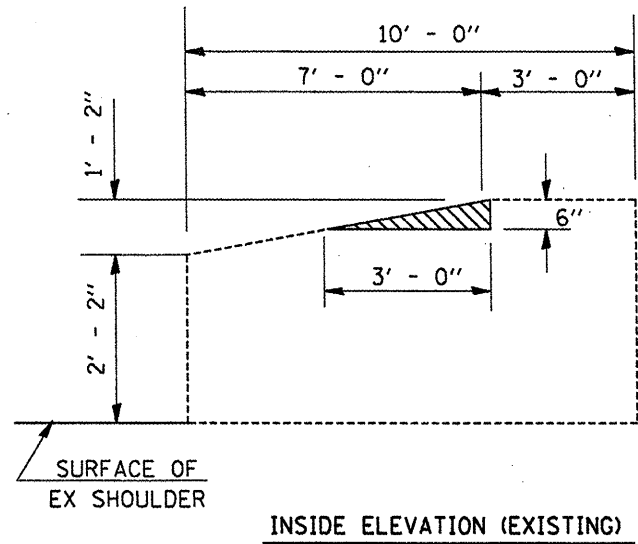
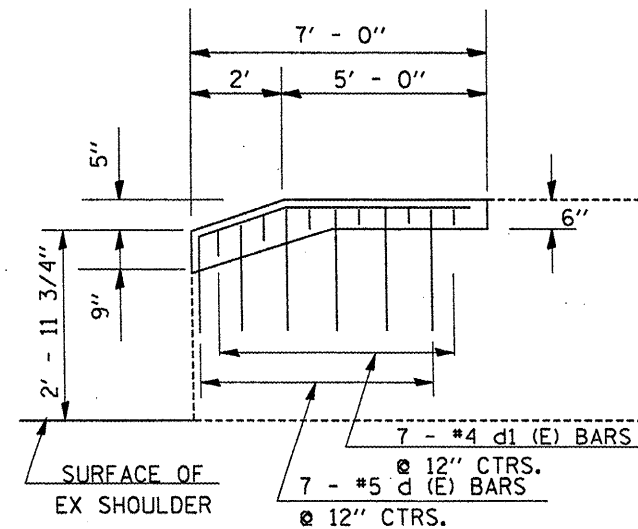


WINGWALL MODIFICATION FOR TYPE 6B TERMINAL

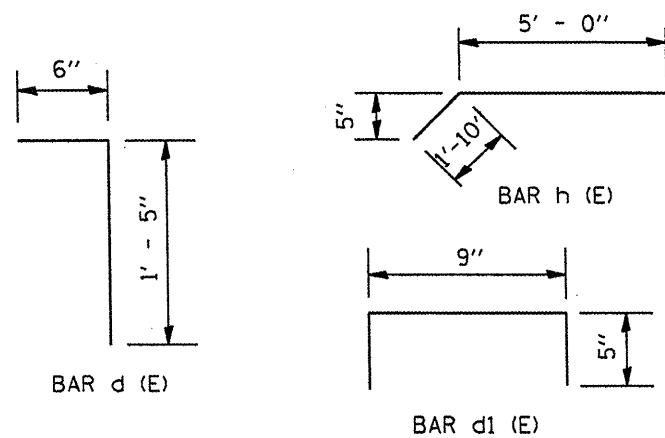
DETAIL A



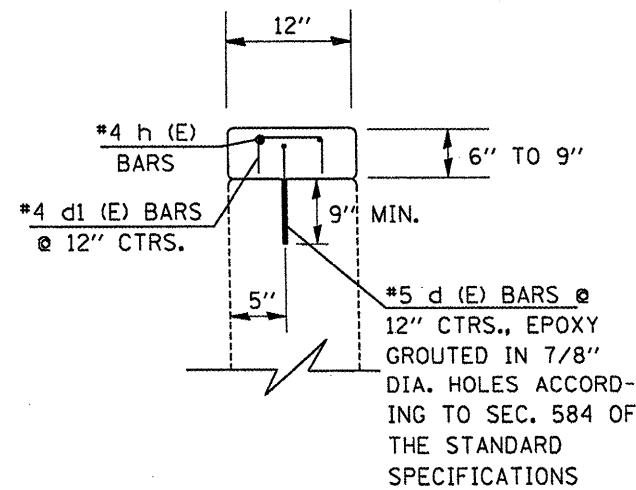
INSIDE ELEVATION (EXISTING)



INSIDE ELEVATION (PROPOSED)



TO BE USED:
SN 041-0081 RT & LT STA. 3202+83
SN 041-0082 RT & LT STA. 3204+27



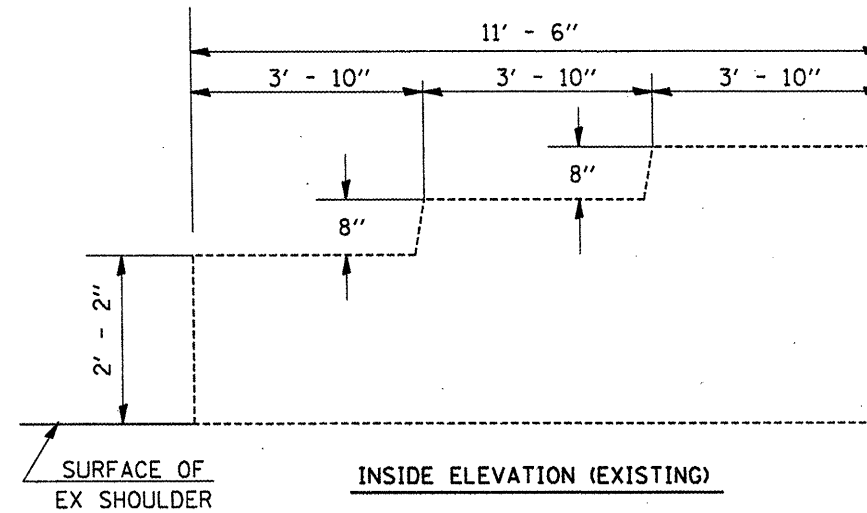
SECTION A-A

BILL OF MATERIAL

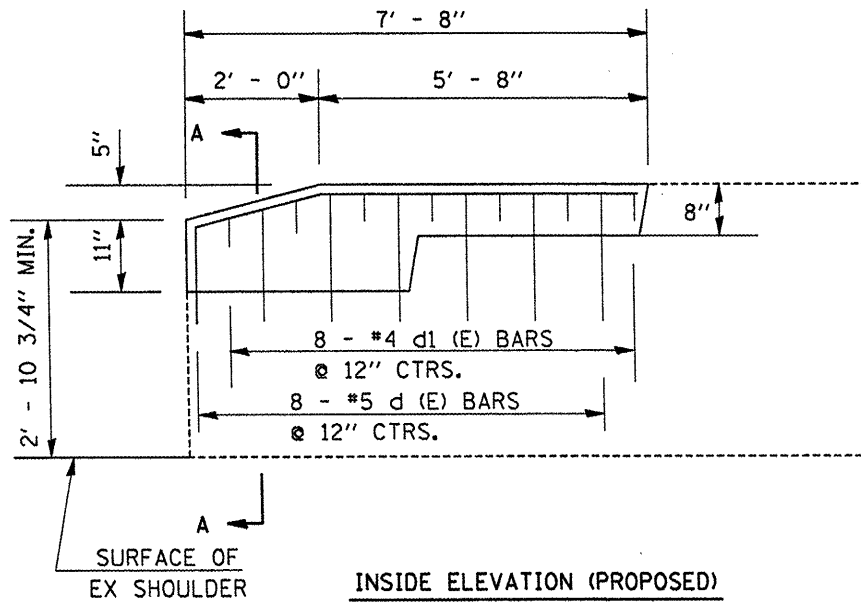
BARS	SIZE	NO.	LENGTH	TOTAL OF FOUR LOCATIONS
d (E)	#5	7	1' - 11"	
d1 (E)	#4	7	1' - 7"	
h (E)	#4	2	6' - 10"	
CONCRETE REMOVAL		CU YD	0.1	0.4
CONCRETE SUPERSTRUCTURE		CU YD	0.2	0.8
REINFORCEMENT BARS EPOXY COATED		LBS	31	124

WINGWALL MODIFICATION FOR TYPE 6B TERMINAL

DETAIL B

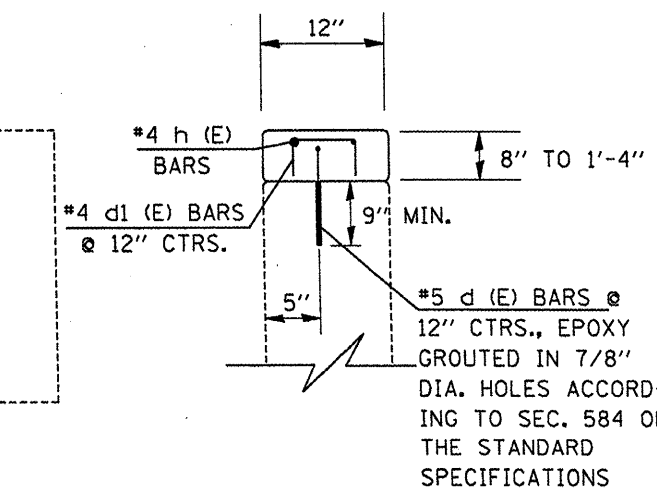


INSIDE ELEVATION (EXISTING)



INSIDE ELEVATION (PROPOSED)

TO BE USED:
SN 041-0083 RT & LT STA. 3221+19
SN 041-0084 RT & LT STA. 3222+37



SECTION A-A

BILL OF MATERIAL

BARS	SIZE	NO.	LENGTH	TOTAL OF FOUR LOCATIONS
d (E)	#5	8	2' - 6"	
d1 (E)	#4	8	1' - 7"	
h (E)	#4	2	7' - 6"	
CONCRETE SUPERSTRUCTURE		CU YD	0.3	1.2
REINFORCEMENT BARS EPOXY COATED		LBS	40	160