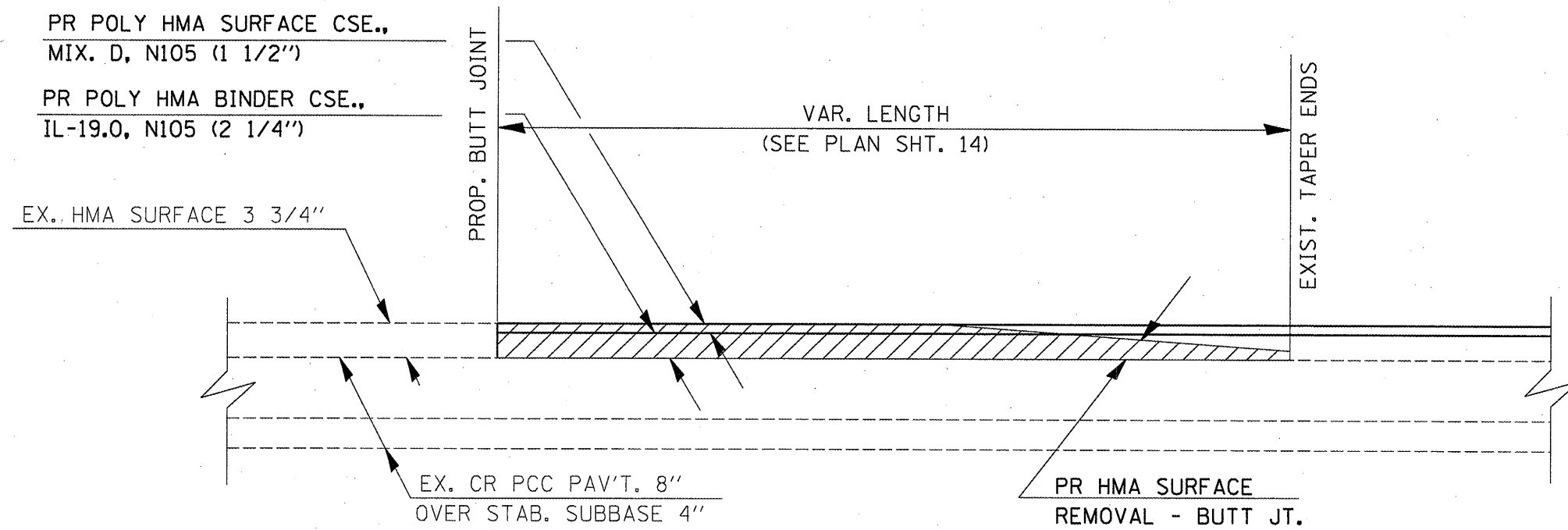


DETAIL FOR HOT-MIX ASPHALT SURFACE
REMOVAL - BUTT JOINT
AT BEGINNING AND END OF PROJECT



FILE NAME =
c:\p\work\FWIDOT\MCCOROKR\dms58145\d9

USER NAME = moordkr
8099-shr-misc.dgn
PLOT SCALE = 100.0000' / IN.
PLOT DATE = 2/25/2009

DESIGNED -
DRAWN -
CHECKED -
DATE -

REVISED -
REVISED -
REVISED -
REVISED -

STATE OF ILLINOIS
DEPARTMENT OF TRANSPORTATION

BUTT JOINT DETAIL
BEGINNING & END OF PROJECT

SCALE: SHEET NO. OF SHEETS STA. TO STA.

F.A.I. RTE.	SECTION	COUNTY	TOTAL SHEETS	SHEET NO.
64	(41:9.41:9:1)BS:1	JEFFERSON	47	44
CONTRACT NO. 18099				ILLINOIS FED. AID PROJECT