

K:\Aurora\0428505 Try A Ends Rehab\PH2\Draw\S
 FILE: Ph2-qty-index.dwg
 LAYOUT: Exhibit1
 UPDATE BY: Marc Katz
 SURVEY BOOK #
 DATE: Monday, April 14, 2008 1:35:14 PM
 XREF DWG: tbcint.dwg
 tb.dwg

SUMMARY OF QUANTITIES

ITEM NUMBER	DESCRIPTION	UNIT	ESTIMATED QUANTITY	RECORD QUANTITY
AR108158	1/C #8 5 KV UG CABLE IN UD	LF	4,395	
AR109210	VAULT MODIFICATIONS	LS	1	
AR110212	2" STEEL DUCT, DIRECT BURY	LF	30	
AR110504	4-WAY CONCRETE ENCASED DUCT	LF	60	
AR110550	SPLIT DUCT	LF	100	
AR125410	MITL - STAKE MOUNTED	EACH	53	
AR125415	MITL - BASE MOUNTED	EACH	6	
AR125444	TAXI GUIDANCE SIGN, 4 CHARACTER	EACH	3	
AR125445	TAXI GUIDANCE SIGN, 5 CHARACTER	EACH	2	
AR125446	TAXI GUIDANCE SIGN, 6 CHARACTER	EACH	2	
AR125470	MODIFY EXISTING SIGN PANEL	EACH	10	
AR125565	SPLICE CAN	EACH	1	
AR125901	REMOVE STAKE MOUNTED LIGHT	EACH	38	
AR125902	REMOVE BASE MOUNTED LIGHT	EACH	7	
AR125904	REMOVE TAXI GUIDANCE SIGN	EACH	2	
AR150510	ENGINEER'S FIELD OFFICE	LS	1	
AR152410	UNCLASSIFIED EXCAVATION	CY	1,715	
AR152455	EMBANKMENT IN PLACE	CY	690	
AR156520	INLET PROTECTION	EACH	6	
AR163520	CONSTRUCTION FENCE	LF	985	
AR201610	BITUMINOUS BASE COURSE	TON	275	
AR208515	POROUS GRANULAR EMBANKMENT	CY	200	
AR209604	CRUSHED AGG. BASE COURSE - 4"	SY	718	
AR401610	BITUMINOUS SURFACE COURSE	TON	135	
AR401655	BUTT JOINT CONSTRUCTION	SY	290	
AR401900	REMOVE BITUMINOUS PAVEMENT	SY	5,408	
AR501509	9" PCC PAVEMENT	SY	9,105	
AR501530	PCC TEST BATCH	EACH	1	
AR501900	REMOVE PCC PAVEMENT	SY	100	
AR602510	BITUMINOUS PRIME COAT	GAL	200	
AR603510	BITUMINOUS TACK COAT	GAL	267	
AR620520	PAVEMENT MARKING - WATERBORNE	SF	3,620	
AR620525	PAVEMENT MARKING - BLACK BORDER	SF	3,540	
AR620900	PAVEMENT MARKING REMOVAL	SF	520	
AR705526	6" PERFORATED UNDERDRAIN W/SOCK	LF	1,155	
AR705900	REMOVE UNDERDRAIN	LF	910	
AR705904	REMOVE UNDERDRAIN CLEANOUT	EACH	1	
AR751943	ADJUST MANHOLE	EACH	2	
AR800023	2/C #4 600V, 1/C #8 GND. UG CABLE	LF	710	
AR800081	REMOVE BIT. PVMT. (VAR. DEPTH)	SY	4,000	
AR800160	TEMPORARY GAS LINE CROSSING	EACH	1	
AR901510	SEEDING	ACRE	0.9	
AR904510	SODDING	SY	1,790	
AR905520	TOPSOILING (FROM OFF SITE)	CY	644	
AR908510	MULCHING	ACRE	0.9	

INDEX TO SHEETS

- COVER SHEET
- INDEX TO SHEETS / SUMMARY OF QUANTITIES
- SITE PLAN / PROJECT CONTROL PLAN
- SEQUENCE OF CONSTRUCTION GENERAL NOTES AND DETAILS
- SEQUENCE OF CONSTRUCTION PER AC 150/S370-2E (LATEST EDITION)
- TYPICAL SECTIONS
- EXISTING CONDITIONS / PROPOSED REMOVALS - SHEET 1
- EXISTING CONDITIONS / PROPOSED REMOVALS - SHEET 2
- PLAN AND PROFILE - SHEET 1
- PLAN AND PROFILE - SHEET 2
- PAVEMENT JOINTING PLAN - SHEET 1
- PAVEMENT JOINTING PLAN - SHEET 2
- PAVEMENT JOINTING DETAILS
- GRADING AND LANDSCAPING PLAN - SHEET 1
- GRADING AND LANDSCAPING PLAN - SHEET 2
- STORM WATER POLLUTION PREVENTION PLAN NOTES
- STORM WATER POLLUTION PREVENTION PLAN DETAILS
- LIGHTING AND PAVEMENT MARKING PLAN - SHEET 1
- LIGHTING AND PAVEMENT MARKING PLAN - SHEET 2
- AIRFIELD SIGNAGE PLAN
- ELECTRICAL DETAILS - SHEET 1
- ELECTRICAL DETAILS - SHEET 2
- VAULT MODIFICATION DETAIL

REVISIONS		
NUMBER	BY	DATE

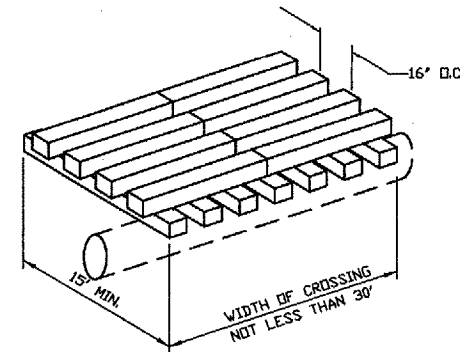
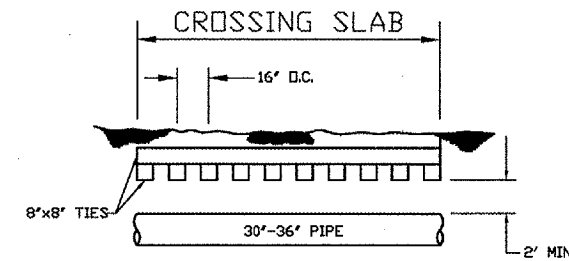
0 1 2
 THIS BAR IS EQUAL TO 2"
 AT FULL SCALE (34X22).

**AURORA MUNICIPAL AIRPORT
 AURORA, ILLINOIS
 REHABILITATE AND STRENGTHEN TAXIWAY ALPHA
 ENDS AND CONNECTING TAXIWAYS - PHASE 2**

**INDEX TO SHEETS/
 SUMMARY OF QUANTITIES**

© Copyright CMT, Inc.
CMT
 CRAWFORD, MURPHY & TILLY, INC.
 CONSULTING ENGINEERS
 License No. 84-000618

DESIGN BY:	AAO
DRAWN BY:	AAO
CHECKED BY:	
APPROVED BY:	
DATE:	10/31/07
JOB No:	07285-04
ILLINOIS PROJECT:	ARR-3770
A.I.P. PROJECT:	3-17-0003-B36
FINAL SUBMITTAL	
SHEET	2 OF 23 SHEETS



NOTES:

- LAY TIES IN TWO LAYERS. SET LOWER TIES AND BACKFILL TO TOP OF TIES; SET SECOND LAYER AND BACKFILL TO GRADE.
- PROVIDE TEMPORARY FENCE TO DEFINE CROSSING.
- MAINTAIN TEMPORARY FENCING DURING CONSTRUCTION.
- MAX LOADING: WHEEL LOAD: 15,000 LBS, TRACK LOAD: 80,000 LBS.
- ALTERNATIVE METHODS OF TEMPORARY GAS PIPELINE CROSSING MUST BE SUBMITTED FOR APPROVAL BY NICOR GAS.

**DETAIL OF TIE SLAB FOR HEAVY EQUIPMENT
 CROSSING PIPELINES**

NO SCALE
 (DETAIL PROVIDED BY NICOR GAS)