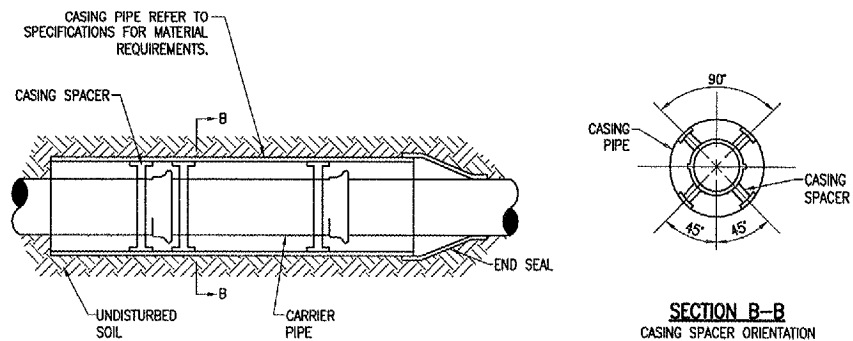


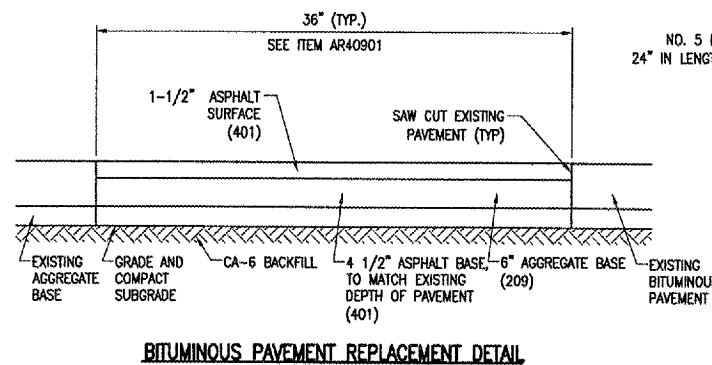
*BEDDING REQUIRED FOR PVC PIPE AND FOR DUCTILE IRON PIPE WITH RESTRAINED JOINTS.
 NON RIGID CONDUITS ARE DEFINED AS FLEXIBLE THERMOPLASTIC PIPE AND/OR CORRUGATED METAL PIPE.
 NOTE: TRENCH BOX SHALL NOT EXTEND BELOW TOP OF PIPE, HOWEVER, IT SHALL NOT EXCEED 2 FEET FROM THE BOTTOM OF THE TRENCH.

TRENCH DETAIL UNDER PAVEMENT

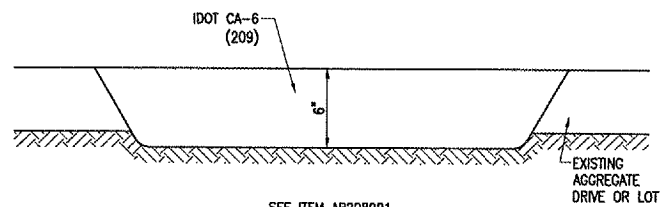


CASED PIPE

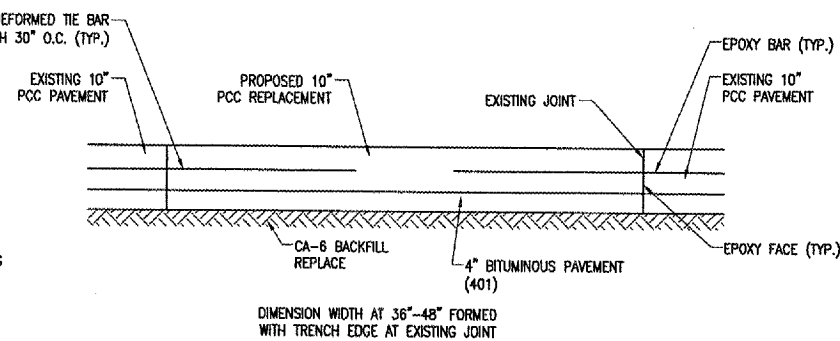
- NOTES:
1. CASING PIPE SIZE SHOWN IN PLANS ACCOMMODATES PUSH-ON JOINT. LARGER DIAMETER MAY BE REQUIRED FOR MECHANICAL JOINTS. THE INSIDE DIAMETER OF THE CASING PIPE SHALL BE A MINIMUM OF 4" LARGER THAN THE LARGEST OUTSIDE DIAMETER OF THE CARRIER PIPE (JOINTS OR COUPLINGS).
 2. ESTIMATED CASING LENGTH IS SHOWN ON PLANS. CASING LENGTH MAY BE ADJUSTED WITH APPROVAL OF ENGINEER.
 3. THE TOP OF THE CASING PIPE SHALL BE A MINIMUM OF 3.5' BELOW THE TOP OF PAVEMENT.
 4. USE CASING SPACERS (SEE DETAIL) TO MOVE CARRIER PIPE INTO CASING PIPE. SPACING OF CASING SPACERS WILL BE DICTATED BY THE MANUFACTURER.
 5. MINIMUM OF 2 SPACERS PER JOINT OF PIPE.



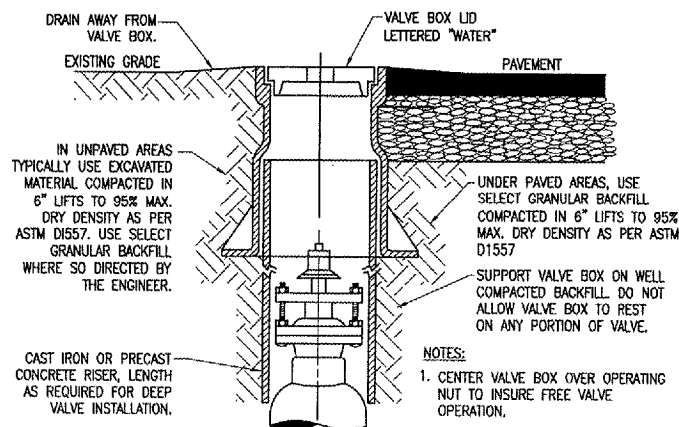
BITUMINOUS PAVEMENT REPLACEMENT DETAIL



AGGREGATE SURFACE DETAIL

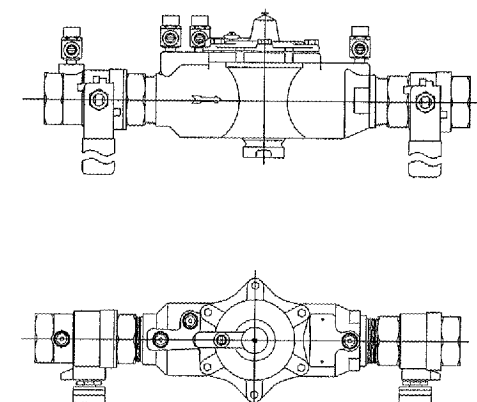


PCC PAVEMENT REPLACEMENT DETAIL



VALVE BOX DETAIL


- NOTES:
1. CENTER VALVE BOX OVER OPERATING NUT TO INSURE FREE VALVE OPERATION.
 2. FOR PRECAST CONCRETE VALVE BOXES USE 6" RISER PIPE ON 4" & 6" VALVES. USE 8" RISER PIPE ON 8" VALVES AND LARGER.



RPZ BACKFLOW PREVENTER

NOTE: RPZ BACKFLOW PREVENTION DEVICE AND METER PER CITY OF DECATUR SPECIFICATIONS

DATE	REVISION	BY



DECATUR, ILLINOIS

 ILL. PROJ.: DEC-3801

ILL. Project No. 07A0080D_0800 Drawings: R-522CON.DWG Scale: 1" = 100' Date: 04/16/08	LAYOUT DRAWN: BAK REVISED: JMR	03/12/08 04/16/08 4/16/08
--	--------------------------------------	---------------------------------



HANSON

 Hanson Professional Services, Inc.
 1525 South Sixth Street
 Springfield, Illinois 62703-2886
 Offices Nationwide

CONSTRUCT WATER MAIN
PROPOSED WATER MAIN
 DETAIL SHEET 2

APR 18, 2008 1:29 PM WALLE00723
 I:\PROJECTS\DECATUR\07A0080D\CAD\SHETS\R-522CON.DWG - DETAILS 2