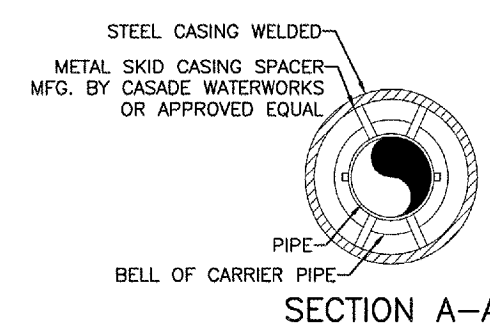
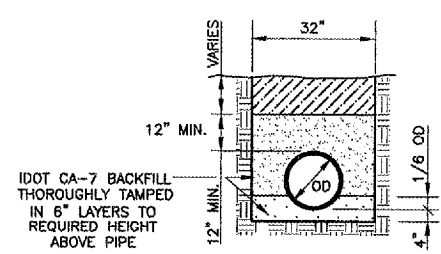


ENLARGED PLAN



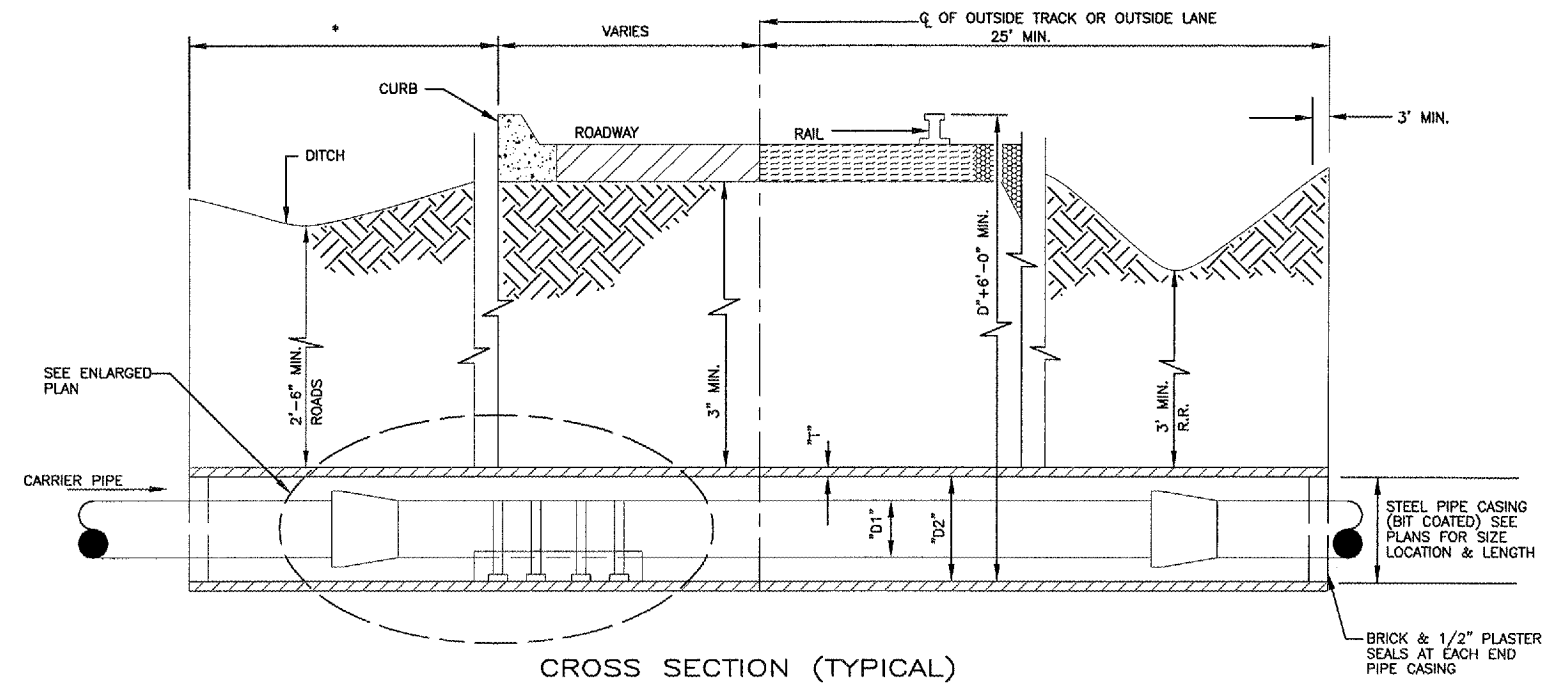
SECTION A-A



GRANULAR BEDDING

NOTES:
 SEE AR701830, BOTH CA-7 TRENCH BACKFILL FOR COMPLETE SPECIFICATION
 IF ANY UNSUITABLE SUBGRADE CONDITIONS ARE ENCOUNTERED, THE TRENCH SHOULD BE OVER EXCAVATED A MINIMUM OF 6" & REFILLED WITH GRANULAR MATERIAL.
 OD = OUTSIDE DIAMETER
 METALLIC ID TAPE SHALL BE PLACED 18" ABOVE PIPE
 PROVIDE SHEETING AND SHORING AS NECESSARY FOR SAFETY.
 BACKFILL MATERIALS SHALL BE APPROVED BY THE ENGINEER WHERE THE PIPE IS UNDERCUT.
 WATERMANS TO BE INSTALLED W/A MIN. OF 42" COVER.

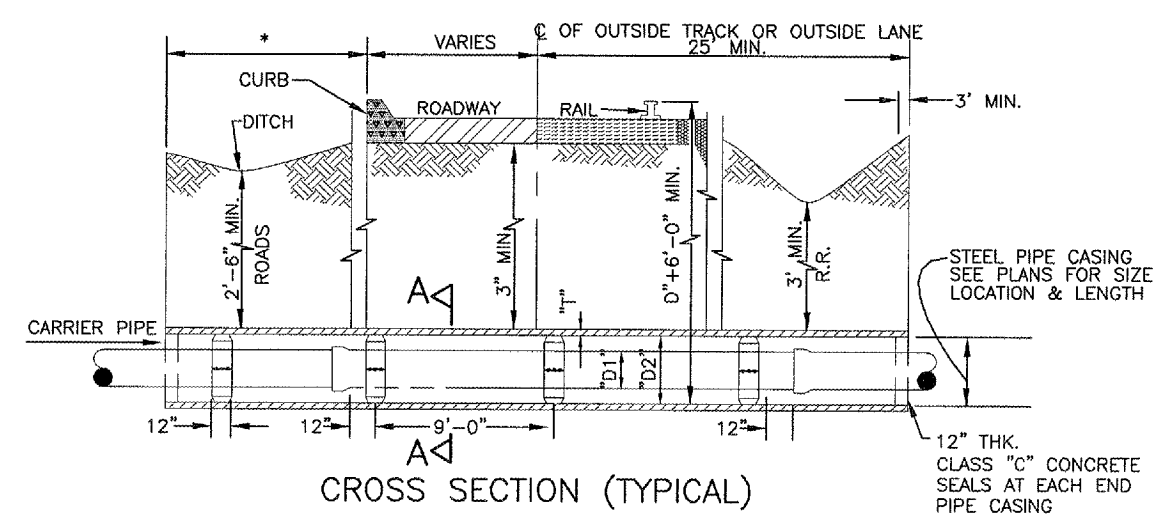
TYPICAL TRENCH SECTION DETAIL IN TURF AREAS



CROSS SECTION (TYPICAL)

CARRIER & CASING PIPE SIZE (MINIMUM)								
Cl. (D1) - M.J.			4"	6"	8"	10"	12"	
Cl. (D1) - P.O.	4"	6"	6"	8"	10"	12"		
PVC (D1)	4"	6"	8"	8"	10"	12"		
STEEL CASING PIPE (D2)	10"	12"	14"	16"	18"	20"	22"	24"
WALL THICKNESS (T)	1/4"	1/4"	1/4"	5/16"	5/16"	5/16"	3/8"	3/8"

JACK & BORE DETAILS



CROSS SECTION (TYPICAL)
 JACK AND BORE DETAILS

- NOTE:
- METAL SKIDS TO POSITION CARRIER PIPE IN THE CENTER POSITION OF CASING.
 2 METAL SKIDS REQUIRED FOR DUCTILE IRON PIPE. LOCATED ADJACENT TO THE BELL END AND AT THE MID POINT OF EACH LENGTH OF CARRIER PIPE FOR SUPPORT.
 3 METAL SKIDS REQUIRED FOR P.V.C. PIPE. LOCATED ADJACENT TO THE MID POINT AND TAIL END OF EACH LENGTH OF CARRIER PIPE FOR SUPPORT.
 - METAL SKID SHELL TO BE STAINLESS STEEL WITH P.V.C. LINER AND 18-8 STAINLESS STEEL NUTS AND BOLTS
 - ROTATION OF CARRIER PIPE INSIDE THE CASING PIPE WILL NOT BE PERMITTED MECHANICAL OR FLANGED JOINT PIPE SHALL BE USED TO HELP PREVENT SUCH ROTATION.
 - THE CONTRACTOR SHALL SUBMIT SHOP DRAWINGS OF CASING, METAL SKIDS AND CARRIER PIPE INSTALLATION FOR DESIGN CONSULTANT REVIEW PRIOR TO FABRICATION OF PIPING, CASTING AND APPURTENANCES.

REVISION	DATE	BY

DECATUR, ILLINOIS
 I.L. PROJ.: DEC-3801
 A.I.P. PROJ.: 3-17-0033-XX

IEL Project No. 07A00600_0800 File Name: R-522CON.DWG Scale: 1" = 10' Date: 04/18/08	LAYOUT DRAWN: JMR REVIEWED: JMR	03/12/08 03/12/08 04/16/08
---	---------------------------------------	----------------------------------

HANSON
 Hanson Professional Services Inc.
 1525 S. Main Street
 Springfield, Illinois 62708-2886
 Offices Nationwide

CONSTRUCT WATER MAIN
 PROPOSED WATER MAIN
 DETAIL SHEET 4

APR. 18. 2008 1:30 PM WALL00723
 I:\AIRPORTS\DECATUR\07A00600\CAD\SHEETS\R-522CON.DWG - DETAILS 4