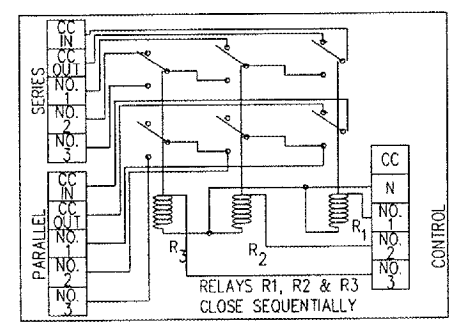


- NOTES**
- ALL ELECTRICAL EQUIPMENT WILL BE WIRED IN ACCORDANCE WITH THE SCHEMATIC WIRING DIAGRAM AND ALL APPLICABLE CODES. EXISTING WIRING DIAGRAM IS BASED ON RECORD DRAWINGS FROM 1993 AND INFORMATION FROM THE AIRPORT MANAGER AND MAY NOT INDICATE ALL CHANGES AND UPDATES SINCE THE ORIGINAL INSTALLATION. CONTRACTOR SHALL FIELD VERIFY EXISTING CONTROL WIRING AND REPORT ANY VARIATIONS TO THE RESIDENT ENGINEER.
  - ALL CONTROL CABLE WILL BE NO. 12 AWG, 600 VOLT CABLE.
  - ALL ELECTRICAL EQUIPMENT WILL BE PROPERLY LABELED AND ALL ELECTRICAL CABLES WILL BE TAGGED.
  - ALL ELECTRICAL CABLES INSIDE THE VAULT WILL BE IN CONDUIT OR DUCT.
  - THE RUNWAY 21 PLASI CIRCUIT WILL BE CONTROLLED IN THE AUTOMATIC MODE BY THE L-854 RADIO CONTROL UNIT IN THE FOLLOWING MANNER. CONFIRM CONTROL WITH AIRPORT MANAGER:  
3 CLICKS - OFF  
5 CLICKS - ON  
7 CLICKS - REMAIN ON
  - THE RUNWAY 21 REIL CIRCUIT WILL BE CONTROLLED IN THE AUTOMATIC MODE BY THE PHOTOCELL & THE L-854 RADIO CONTROL UNIT IN THE FOLLOWING MANNER:  
PHOTOCELL ACTIVATION ENABES RADIO CONTROL  
3 CLICKS - OFF  
5 CLICKS - OFF  
7 CLICKS - ON
  - RADIO CONTROL UNIT, PHOTOCELL, INDUSTRIAL CONTROL RELAYS, CCR FOR RWY 3/21, CCR FOR TAXIWAY, AND THE 2 RESPECTIVE INTERFACE PANELS & 2 CUTOUPS ARE EXISTING.
  - LIGHTING CONTACTORS, HAND-OFF-AUTO SELECTOR SWITCHES, AND BOOST TRANSFORMER FOR RUNWAY 21 PLASI UNIT SHALL BE NEW. INTERFACE NEW CONTROL WIRING TO EXISTING CONTROL SYSTEM. FIELD VERIFY EXISTING CONTROL CIRCUITS.
  - EQUIPMENT GROUND WIRES SHALL BE INCLUDED WITH EACH BRANCH/FEEDER CIRCUIT & EACH CONTROL CIRCUIT.
  - SEE LIGHTING CONTACTOR PANEL DETAILS FOR REQUIREMENTS ON PANEL LAYOUT & WIRING.

- SHEET LEGEND**
- (A) VAULT PANEL CKT FOR RWY 3/21 CCR
  - (B) VAULT PANEL CKT FOR TXY CCR
  - (C) VAULT PANEL CKT FOR RWY 3 PLASI
  - (D) VAULT PANEL CKT FOR RWY 21 PLASI
  - (E) VAULT PANEL CKT FOR PHOTOCELL
  - (F) VAULT PANEL CKT FOR BEACON
  - (G) VAULT PANEL CKT FOR WIND TEE & WIND CONE
  - (H) VAULT PANEL CKT FOR RWY 21 REILS
  - (I) RESERVED
  - (J) VAULT PANEL CKT FOR RADIO CONTROL
  - (K) VAULT PANEL CKT FOR INTERFACE PANELS
  - (L) RESERVED
  - (M) RESERVED
  - (N) N DESIGNATES NEUTRAL FROM THE RESPECTIVE PANEL THAT POWERS THE DEVICE. FOR CONTROL CIRCUIT INPUTS TO CCR'S N SHALL BE FROM THE RESPECTIVE INTERFACE PANEL CIRCUIT NEUTRAL CONNECTION.



TYP. INTERFACE PANEL DETAIL

AIRFIELD LIGHTING SCHEMATIC WIRING DIAGRAM

APR 11, 2008 4:45 PM HAGL000382  
I:\AIRPORTS\FLORA\08A0021\AIRPORT\ SHEETS\E-603.DWG - Work-FLR

BY		REVISION		DATE	
FLORA AIRPORT FLORA, ILLINOIS					
I.L. PROJ.: FOA-3766 A.I.P. PROJ.: 3-17-0044-B15					
I.E. Project No. 08A0021D-0800	E-603.DWG	Scale NONE	Date 02/01/08	LAYOUT KNL 02/01/08	DRAWN MW 02/01/08
				REVIEWED CAH 02/01/08	
HANSON					
Hanson Professional Services Inc. 1025 South State Street Springfield, IL 62761-2888 Offices Nationwide					
INSTALL REILS & PLASI ON RUNWAY 21			AIRFIELD LIGHTING WIRING SCHEMATIC		
10					
10 of 15 sheets					