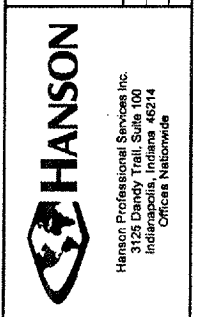


REVISION	
DATE	

KEWANEE MUNICIPAL AIRPORT
KEWANEE, HENRY COUNTY, ILLINOIS

PROJ.: E21-3586
A.I.P. PROJ.: 3-17-0058-B12

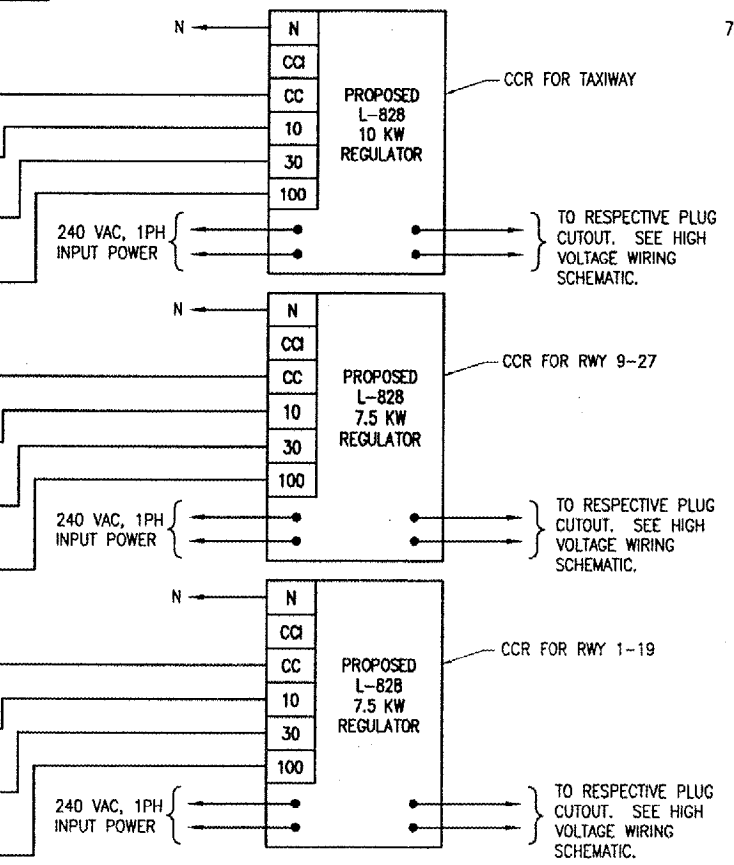
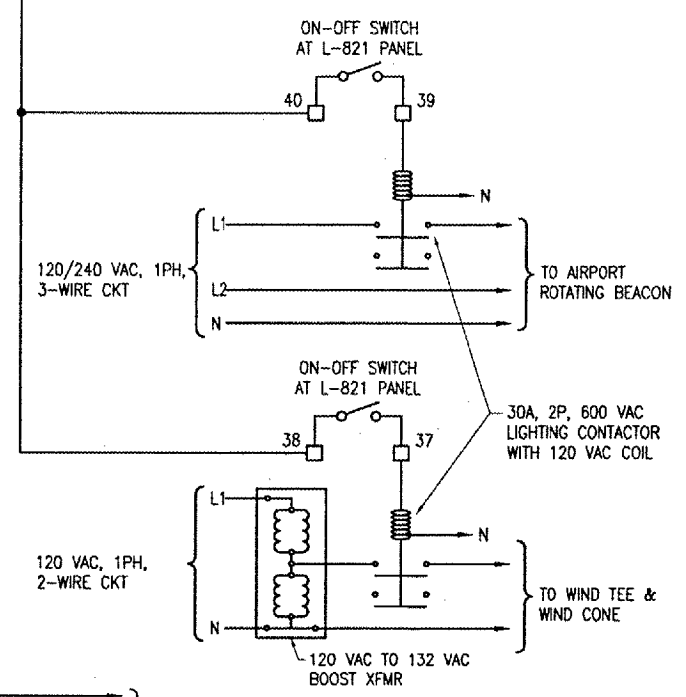
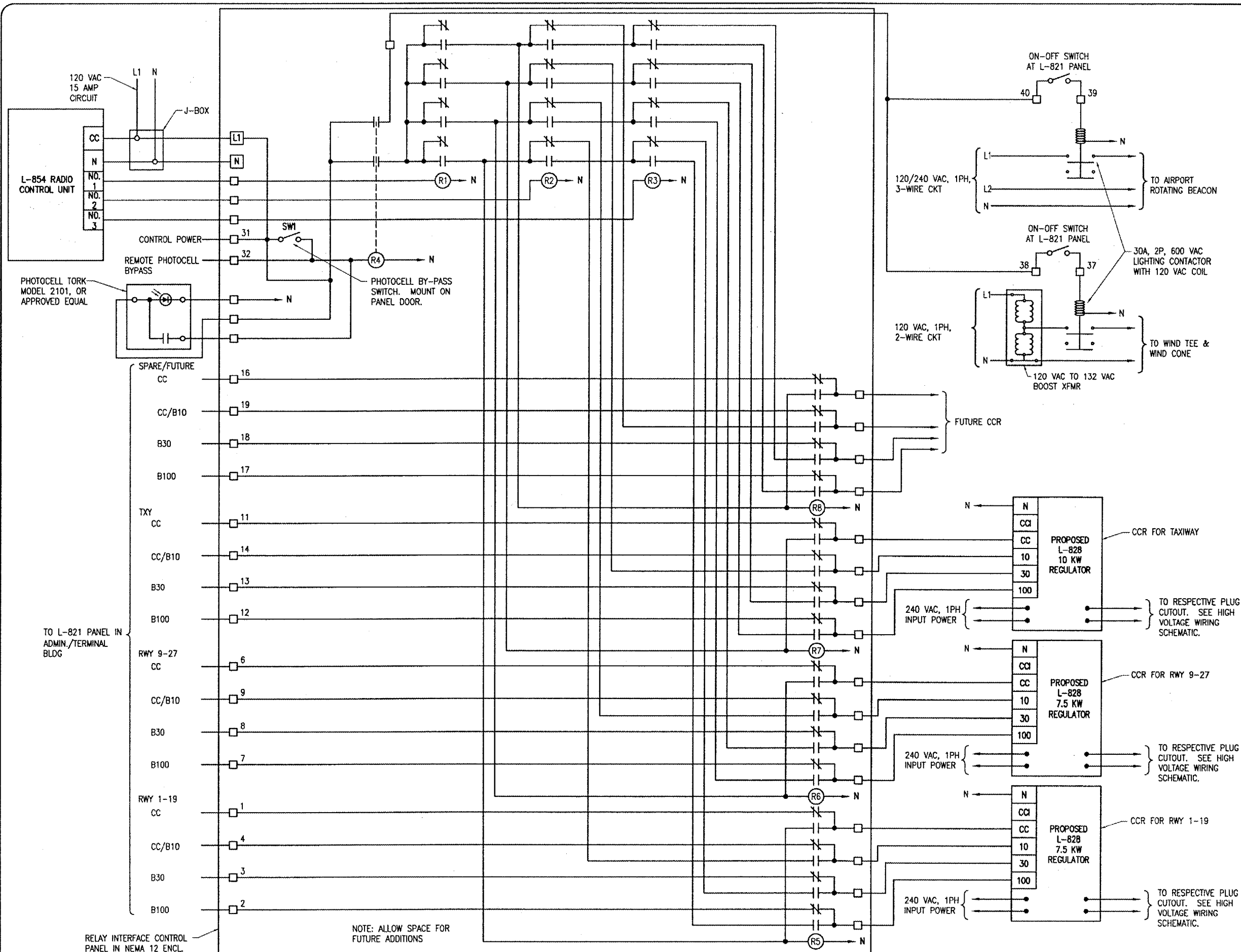
REV. PROJECT NO.	B10-06/10
ENGINEER	E-611.DWG
SCALE	NONE
DATE	04/01/08
LAYOUT	KNL 09/23/05
DRAWN	MV 09/27/05
REVIEWED	LDP 01/17/06



CONSTRUCT VAULT
AIRFIELD LIGHTING
CONTROL SCHEMATIC

NOTES

- RELAY INTERFACE CONTROL PANEL SHALL BE MANUFACTURED BY UNIVERSE INC., 1833 W. HOVEY AVENUE, NORMAL, IL 61761, PHONE: 309-452-5313, FAX: 309-452-2521, OR AN APPROVED EQUIVALENT MANUFACTURER.
- RELAY INTERFACE CONTROL PANEL WIRING SHALL BE #16 AWG (MINIMUM) COPPER 600 VOLT CABLE. ALL EXTERNAL CONTROL CABLE SHALL BE #12 AWG, COPPER 600 VOLT CABLE.
- THE RUNWAY/TAXIWAY CIRCUITS WILL BE CONTROLLED BY PHOTOCELL & THE L-854 RADIO CONTROL UNIT IN THE FOLLOWING MANNER: PHOTOCELL OR PHOTOCELL BYPASS SHALL ACTIVATE RADIO CONTROL OR MANUAL CONTROL. REMOTE MANUAL CONTROL FOR INDIVIDUAL CCR'S SHALL BE ACTIVATED BY THE L-821 PANEL AT THE TERMINAL BUILDING. MANUAL CONTROL SHALL ALLOW PRE-SET LIGHTING LEVELS AT 10%, 30%, OR 100% BRIGHTNESS. RADIO CONTROL SHALL OVER-RIDE MANUAL CONTROL SETTINGS. RADIO CONTROL SETTINGS SHALL BE AS FOLLOWS:
3 CLICKS - 10% BRIGHTNESS
5 CLICKS - 30% BRIGHTNESS
7 CLICKS - 100% BRIGHTNESS
- EQUIPMENT GROUND WIRES SHALL BE INCLUDED WITH EACH BRANCH CIRCUIT & EACH CONTROL CIRCUIT.
- "N" DENOTES NEUTRAL FOR RESPECTIVE BRANCH CIRCUIT OR CONTROL CIRCUIT.
- SEE PANELBOARD SCHEDULES & "NEW VAULT ELECTRICAL ONE-LINE DIAGRAM" FOR INFORMATION ON BRANCH CIRCUIT REQUIREMENTS.
- PROVIDE 2 SPARE CONTROL RELAYS FOR EACH TYPE USED IN THE INTERFACE CONTROL PANEL.



NOTE: ALLOW SPACE FOR FUTURE ADDITIONS

RUNWAY & TAXIWAY LIGHTING CONTROL SCHEMATIC WIRING DIAGRAM

APR 01, 2008 11:49 AM VOORH00805
I:\AIRPORTS\KEWANEE\B10-06/10\ELECTRICAL\SHEETS\E-611.DWG - Work-FLR