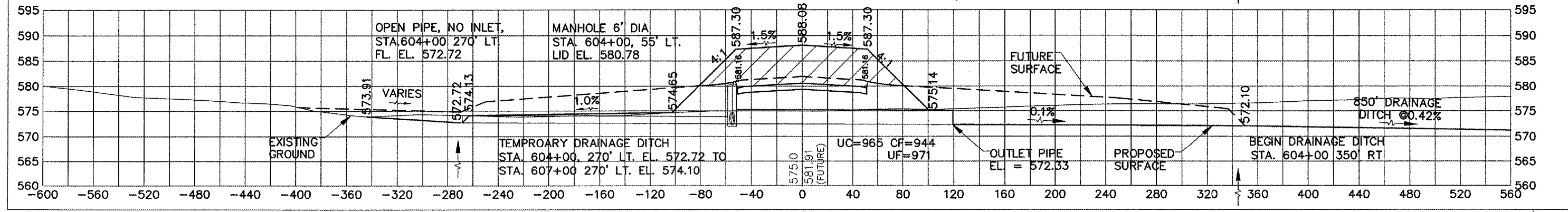
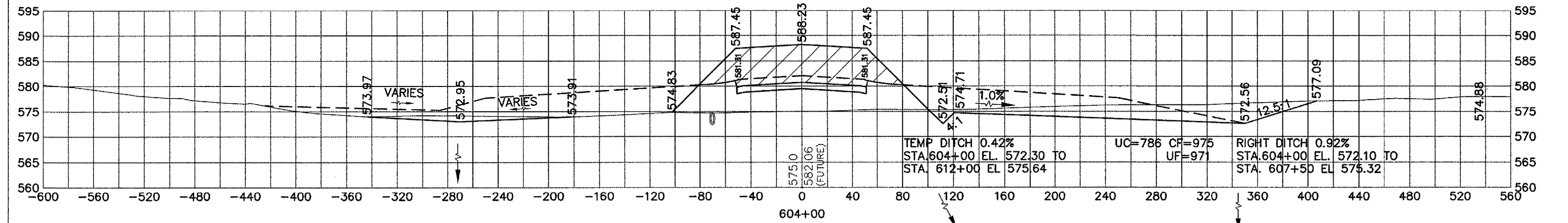
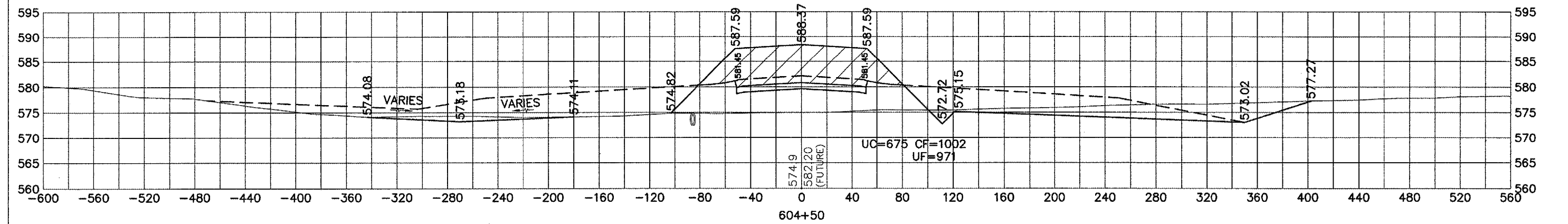
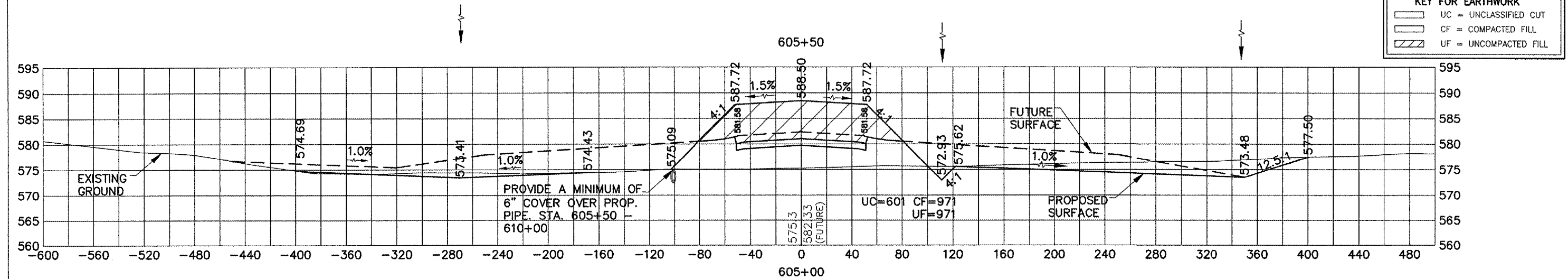


KEY FOR EARTHWORK

	UC = UNCLASSIFIED CUT
	CF = COMPACTED FILL
	UF = UNCOMPACTED FILL



G:\airport\A07T030 TP EARTHWORK DSN\Sections P.dwg, 4/21/2008 11:42:55 AM, jefm